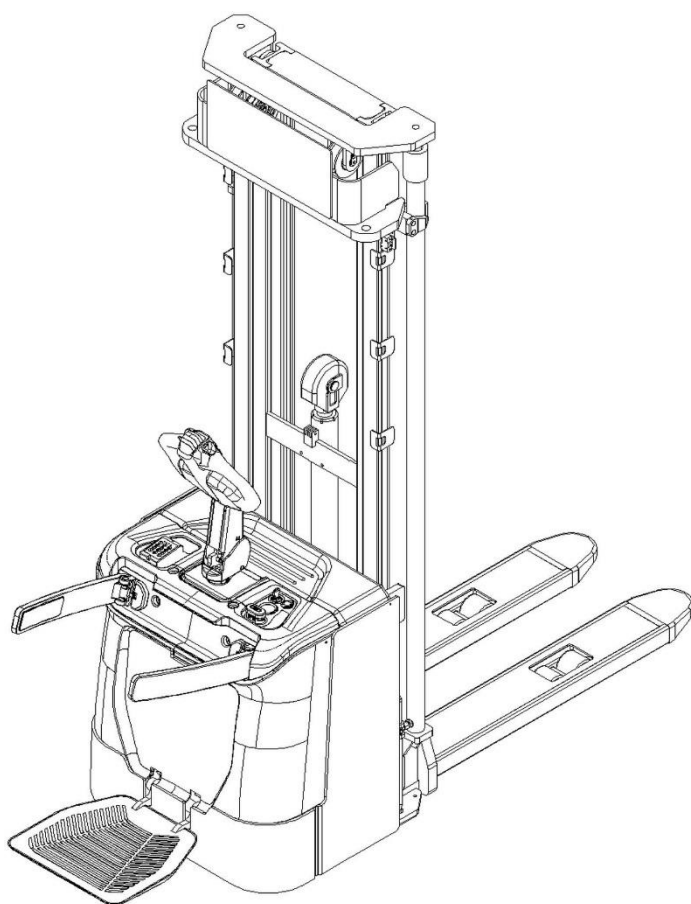


NOBLELIFT

SPAREPARTS LIST

Electric Stacker PS 16N



Version 05/2018

From truck identification number:

PS 16N-BPT-001-EN

Catalogue

Fig. 1 Label (For EU).....	1
Fig. 2 Fork carriage	2
Fig. 3 Chassis.....	3
Fig. 4 Chassis (sideways)	6
Fig. 5 Power supply (external charger)	9
Fig. 6 Power supply (built-in charger)	11
Fig. 7 Protective arm components	13
Fig. 8 Panel components.....	15
Fig. 9 Battery cover components	17
Fig. 10 Platform components	18
Fig. 11 Roller components.....	20
Fig. 12 Full free lifting three-stage mast.....	21
Fig. 13 Standard lifting three-stage mast	23
Fig. 14 Full free lifting two-stage mast	24
Fig. 15 Standard lifting two-stage mast.....	25
Fig. 16 Chain of full free lifting three-stage mast	26
Fig. 17 Chain of standard lifting three-stage mast	28
Fig. 18 Chain of full free lifting two-stage mast.....	29
Fig. 19 Chain of standard lifting two-stage mast.....	31
Fig. 20 Other parts of mast.....	32
Fig. 21 Full free lifting three-stage mast hydraulic system.....	34
Fig. 22 Standard lifting three-stage mast hydraulic system	36
Fig. 23 Full free lifting two-stage mast hydraulic system	38
Fig. 24 Standard lifting two-stage mast hydraulic system.....	40
Fig. 25 Full free lifting three-stage mast external cylinder components	42
Fig. 26 Full free lifting three-stage mast middle cylinder components.....	44
Fig. 27 Standard lifting three-stage mast external cylinder components	46
Fig. 28 Full free lifting two-stage mast external cylinder components	48
Fig. 29 Full free lifting two-stage mast middle cylinder components	50
Fig. 30 Standard lifting two-stage mast external cylinder components.....	52

Fig. 31 Manual steering components.....	54
Fig. 32 Driving assembly (Manual steering).....	56
Fig. 33 EPS components.....	58
Fig. 34 Driving assembly (EPS)	60
Fig. 35 Load roller assembly	62
Fig. 36 Tiller assembly.....	63
Fig. 37 Pump assembly.....	65
Fig. 38 Hydraulic power unit.....	66
Fig. 39 Main circuit wiring harness (Manual steering)	67
Fig. 40 Main circuit wiring harness (EPS)	68
Fig. 41 Electrical parts.....	69
Fig. 42 Electrical control components (COMBIACX)	71
Fig. 43 Electrical control components (COMBIACX+EPSDC0).....	73
Fig. 44 Load backrest.....	75
Easy worn parts list	76

Fig. 1 Label (For EU)

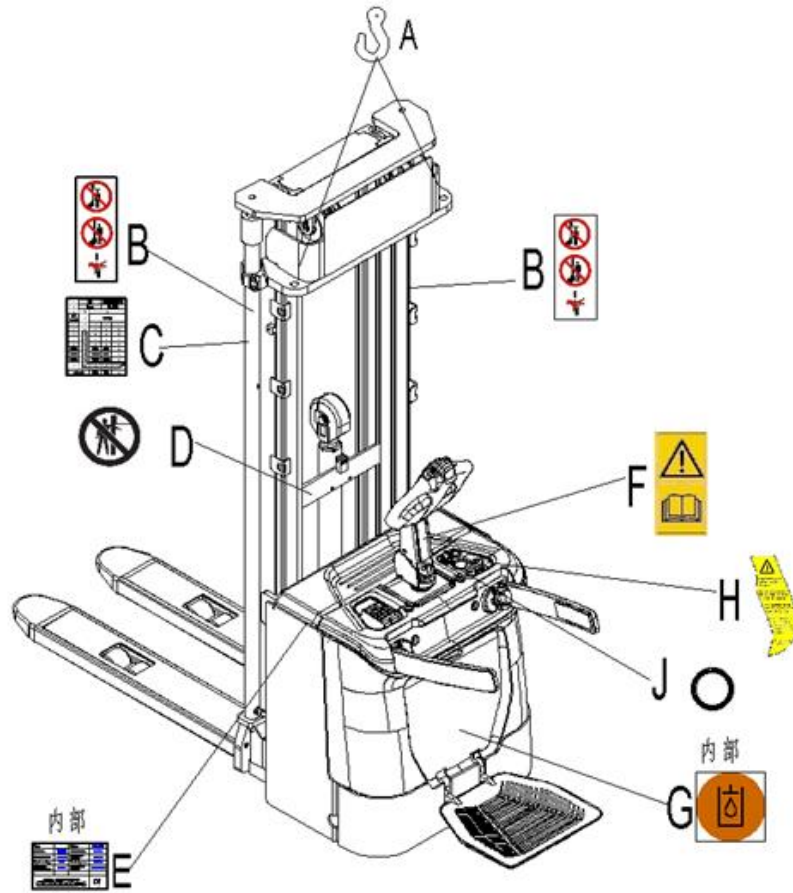


Fig.1 Label (For EU)

No.	Art No.	Description	Qty.	Note
A	941200300001	Crane hook label	2	
B	941200100004	Warning decal: Do not step under or on the forks	2	
C	535947520000	Residual lift capacity sticker	1	
D	941200100006	Never reach through	1	
E	535947520001	CE label	1	
F	941200300002	Sticker to read and follow these instructions	1	
G	941200300003	Filling sticker	1	
H	941200300018	Warning sticker	1	
J	941200400013	Indicating sticker	1	

Fig. 2 Fork carriage

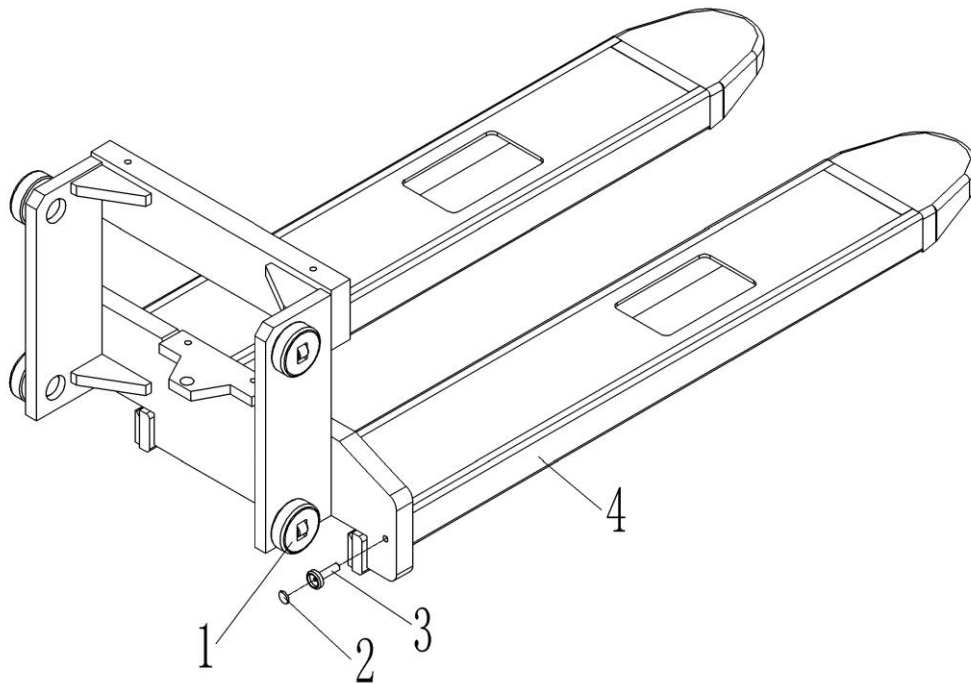


Fig. 2 Fork Carriage

No.	Art No.	Description	Qty.	Note
1	940200300004	Compound roller	4	
2	940600100001	Magnetic steel	1	
3	940600200002	Magnetic steel base	1	
4	534738010006	Fork carriage welding (570x1150)	1	Three-stage full free mast
	534738010007	Fork carriage welding (685x1150)	1	Three-stage full free mast
	534738010004	Fork carriage welding (570x1150)	1	Three-stage standard mast
	534738010005	Fork carriage welding (685x1150)	1	Three-stage standard mast
	534738010002	Fork carriage welding (570x1150)	1	Two-stage full free mast
	534738010003	Fork carriage welding (685x1150)	1	Two-stage full free mast
	534738010000	Fork carriage welding (570x1150)	1	Two-stage standard mast
	534738010001	Fork carriage welding (685x1150)	1	Two-stage standard mast

Fig. 3 Chassis

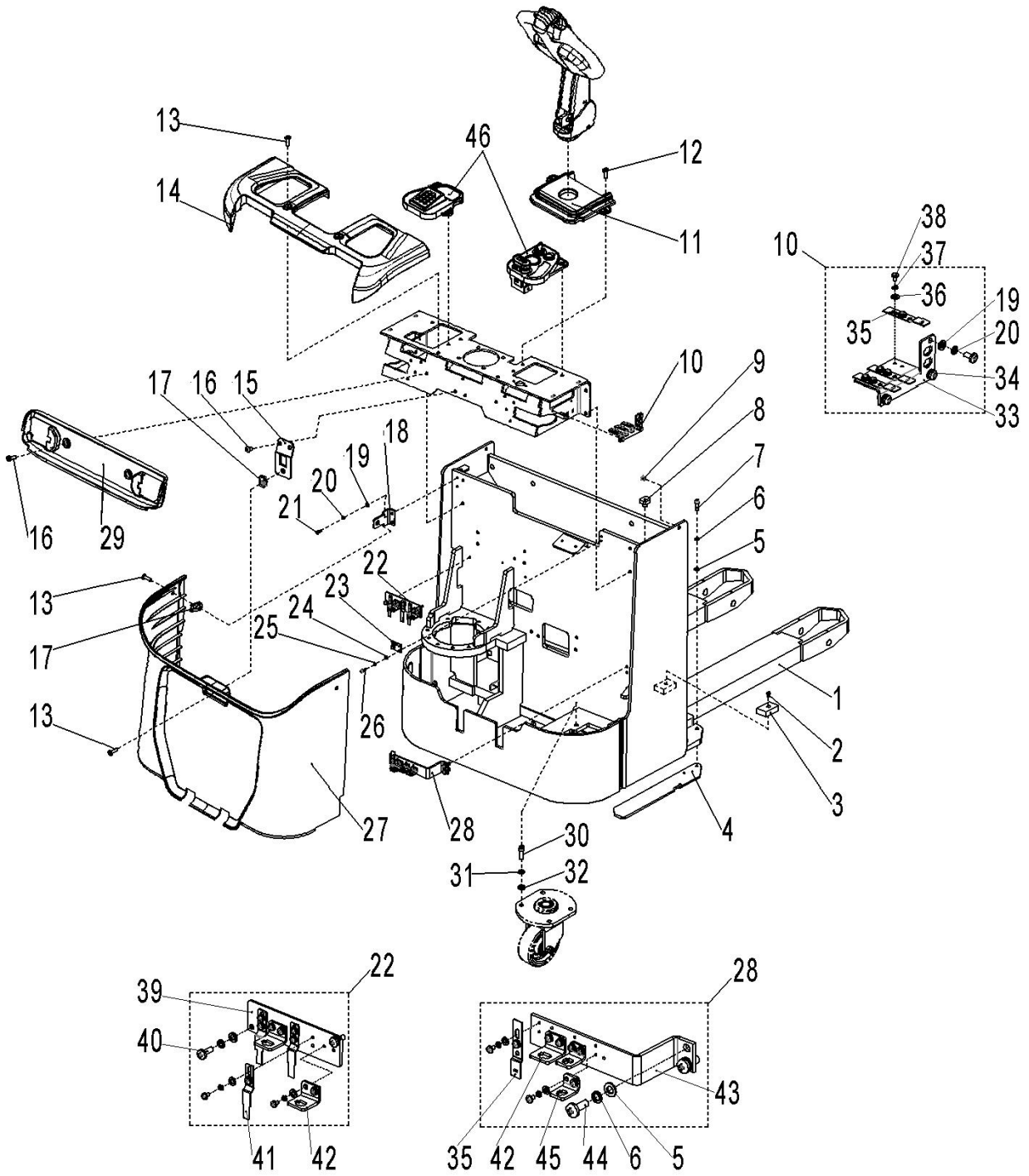


Fig. 3 Chassis

No.	Art No.	Description	Qty.	Note
1	535921510007	Chassis welding (570x1150)	1	EPS
	535921510008	Chassis welding (685 x1150)	1	EPS
	535921510009	Chassis welding (570 x1150)	1	Manual steering
	535921510010	Chassis welding (685 x1150)	1	Manual steering
2	910200300017	Screw	2	M6x12
3	534721520024	Damping pad	2	
4	535921520030	Protective plate	1	
5	910400100006	Flat washer	5	8
6	910400500006	Spring washer	5	8
7	910200200058	Screw	3	M8x25
8	505938520016	Damping pad	2	
9	534721520023	Sleeve	2	
10	535921501003	Mounting plate components	1	
11	535921520042	Protective cover	1	
12	910200200074	Screw	2	M10x16
13	941100100004	Screw	5	M10x30
14	535921520040	Protective cover	1	
15	535921520032	Mounting plate	1	
16	941100100005	Screw	4	M10x15
17	940400400003	Nut	3	M10
18	535921520031	Mounting plate	2	
19	910400100005	Flat washer	13	6
20	910400500005	Spring washer	13	6
21	910200200035	Screw	8	M6x16
22	535921501002	Mounting plate components	1	
23	535921520029	Mounting plate	1	
24	910400100004	Flat washer	2	5
25	910400500004	Spring washer	2	5
26	910200200023	Screw	2	M5x16
27	535921520039	Protective cover	1	
28	535921501001	Mounting plate components	1	
29	535921520041	Protective cover	1	
30	910200200099	Screw	4	M12x35
31	910400500008	Spring washer	4	12
32	910400100008	Flat washer	4	12
33	535921520028	Mounting plate	1	
34	910200500051	Screw	3	M6x12
35	921300300005	Plug base, 2 pins	5	
36	910400100003	Flat washer	24	4

37	910400500003	Spring washer	24	4
38	910200500020	Screw	24	M4x6
39	535921520027	Mounting plate	1	
40	910200500052	Screw	2	M6x16
41	921300300010	Plug base	3	
42	921300300003	Plug fixing frame, 4 pins	3	
43	535921520026	Mounting plate	1	
44	910200500063	Screw	2	M8x20
45	921300300002	Plug fixing frame, 2 pins	2	
46	535910001000	Panel components	1	Built-in charger, with pin-code panel
	535910001001	Panel components		Built-in charger, without pin-code panel
	535910001002	Panel components		External charger, with pin-code panel
	535910001003	Panel components		External charger, without pin-code panel

Fig. 4 Chassis (sideways)

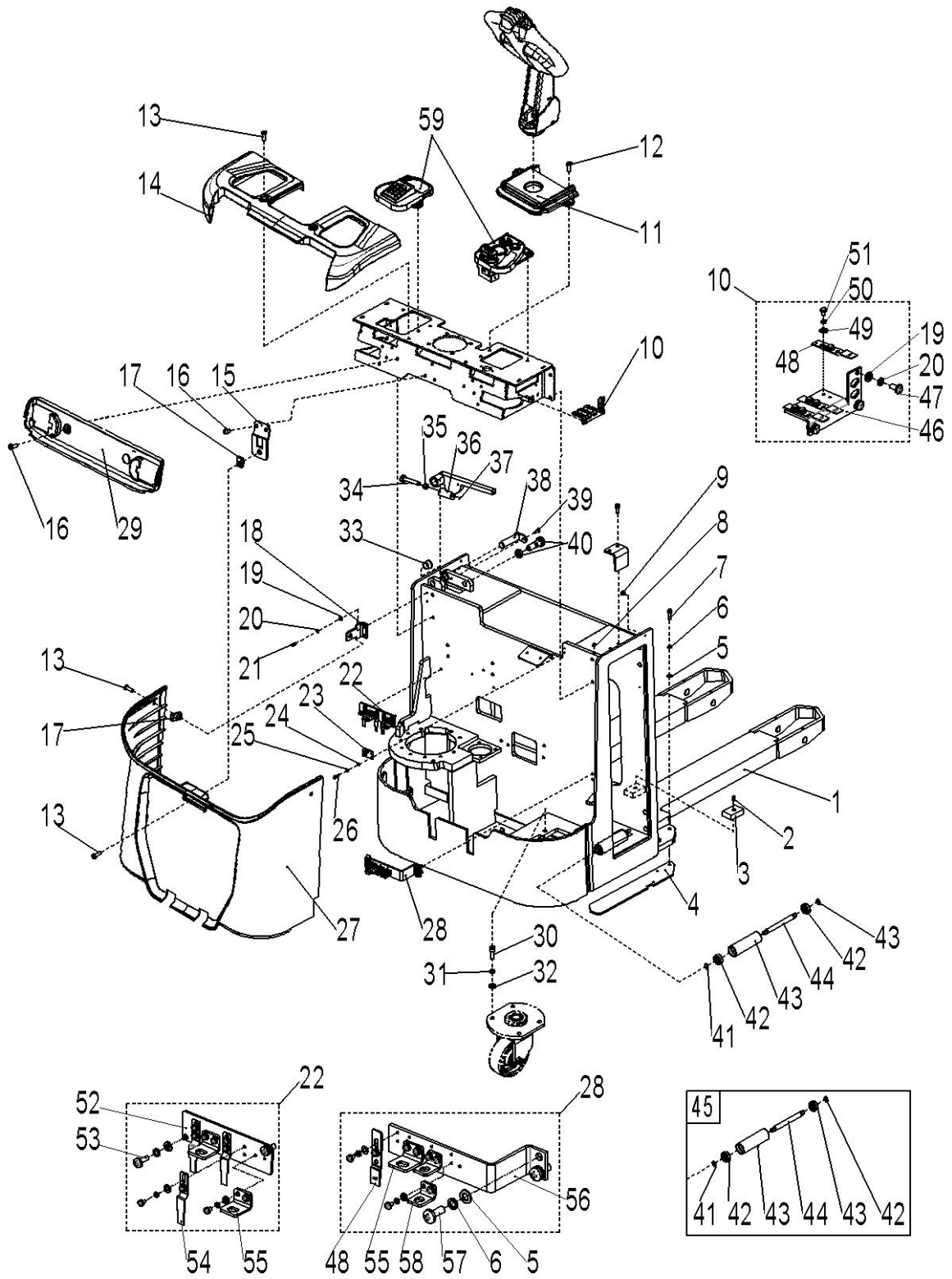


Fig.4 Chassis (sideways)

No.	Art No.	Description	Qty.	Note
1	535921510001	Chassis welding (570x1150)	1	EPS
	535921510006	Chassis welding (685x1150)	1	EPS
	535921510000	Chassis welding (570x1150)	1	Manual steering
	535921510005	Chassis welding (685x1150)	1	Manual steering
2	910200300017	Screw	2	M6x12
3	534721520024	Damping pad	2	
4	535921520030	Protective plate	1	
5	910400100006	Flat washer	5	8
6	910400500006	Spring washer	5	8
7	910200200058	Screw	3	M8x25
8	535917520012	Protective pad	2	
9	534721520023	Sleeve	2	
10	535921501003	Mounting plate components	1	
11	535921520042	Protective cover	1	
12	910200200074	Screw	2	M10x16
13	941100100004	Screw	5	M10x30
14	535921520040	Protective cover	1	
15	535921520032	Mounting plate	1	
16	941100100005	Screw	4	M10x15
17	940400400003	Nut	3	M10
18	535921520031	Mounting plate	2	
19	910400100005	Flat washer	13	6
20	910400500005	Spring washer	13	6
21	910200200035	Screw	8	M6x16
22	535921501002	Mounting plate components	1	
23	535921520029	Mounting plate	1	
24	910400100004	Flat washer	2	5
25	910400500004	Spring washer	2	5
26	910200200023	Screw	2	M5x16
27	535921520039	Protective cover	1	
28	535921501001	Mounting plate components	1	
29	535921520041	Protective cover	1	
30	910200200099	Screw	4	M12x35
31	910400500008	Spring washer	4	12
32	910400100008	Flat washer	4	12

33	940500200008	Bushing	2	
34	535921520037	Short axle	1	
35	535921520038	Spacer bushing	1	
36	535921510003	Baffle welding	1	
37	910401300002	Elastic ring	1	10
38	535921510004	Plate with axle	1	
39	910200400017	Screw	1	M6x16
40	940800900002	Pin	1	With nut
41	910401300006	Elastic ring	12	15
42	910700200017	Bearing	12	6202
43	534721520028	Tube	6	
44	534721520029	Axle	6	
45	534721510003	Tube components	6	
46	535921520028	Mounting plate	1	
47	910200500051	Screw	3	M6x12
48	921300300005	Plug base, 2 pins	5	
49	910400100003	Flat washer	24	4
50	910400500003	Spring washer	24	4
51	910200500020	Screw	24	M4x6
52	535921520027	Mounting plate	1	
53	910200500052	Screw	2	M6x16
54	921300300010	Plug base	3	
55	921300300003	Plug fixing frame, 4 pins	3	
56	535921520026	Mounting plate	1	
57	910200500063	Screw	2	M8x20
58	921300300002	Plug fixing frame, 2 pins	2	
59	535910001000	Panel components	1	Built-in charger, with pin-code panel
	535910001001	Panel components		Built-in charger, without pin-code panel
	535910001002	Panel components		External charger, with pin-code panel
	535910001003	Panel components		External charger, without pin-code panel

Fig. 5 Power supply (external charger)

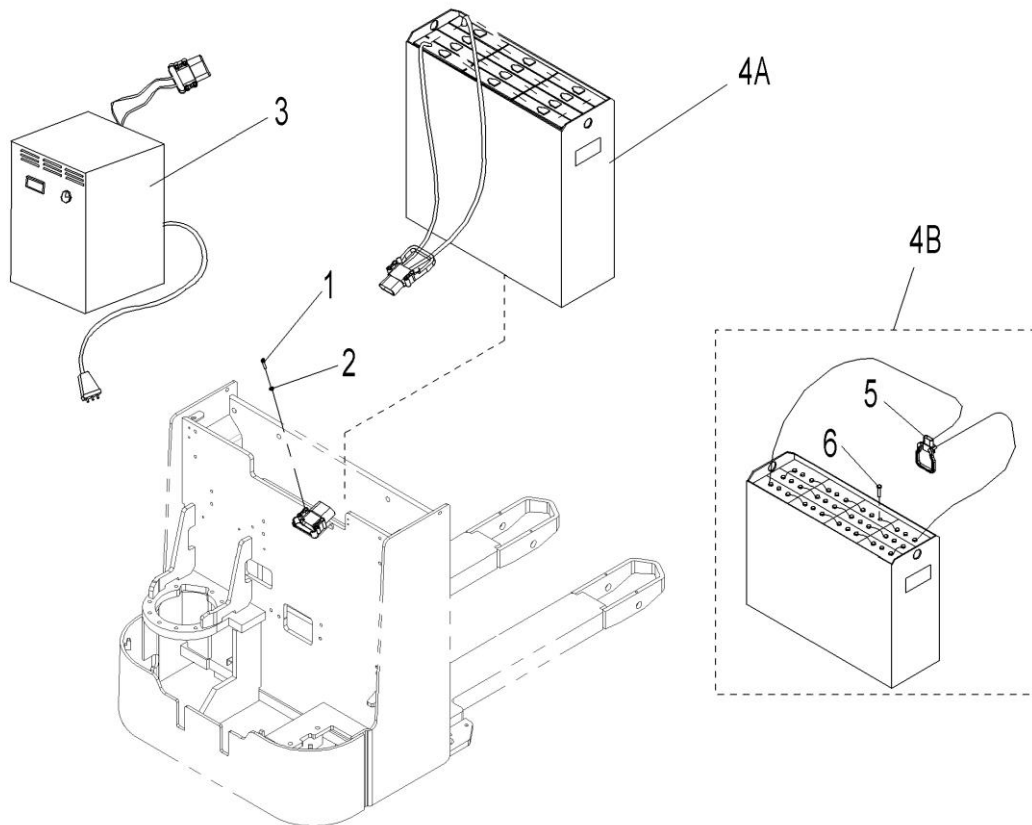


Fig. 5 Power supply (external charger)

No.	Art No.	Description	Qty.	Note
1	910200200039	Screw	2	M6x30
2	910400100005	Flat washer	2	6
3	921000200183	Charger, SN24V35A	1	Asia Chinese
	921000200184	Charger, SN24V35A	1	Asia English
	921000200185	Charger, SN24V35A	1	EU
	921000200186	Charger, SN24V35A	1	ENG
	921000200187	Charger, SN24V35A	1	AUS
	921000200188	Charger, SN24V35A	1	US
	921000200284	Charger, WT24V35A	1	Asia Chinese
	921000200290	Charger, WT24V35A	1	Asia English
	921000200294	Charger, WT24V35A	1	EU
	921000200302	Charger, WT24V35A	1	AUS
	921000200298	Charger, WT24V35A	1	ENG
	921000200306	Charger, WT24V35A	1	US
4A	534737010000	Battery, 24V270Ah	1	Weld type
4B	534737010001	Battery, 24V270Ah	1	Bolt type
5	920400100007	Plug components	1	Only for bolt type battery
6	505698520000	Screw M10X22	24	

Fig. 6 Power supply (built-in charger)

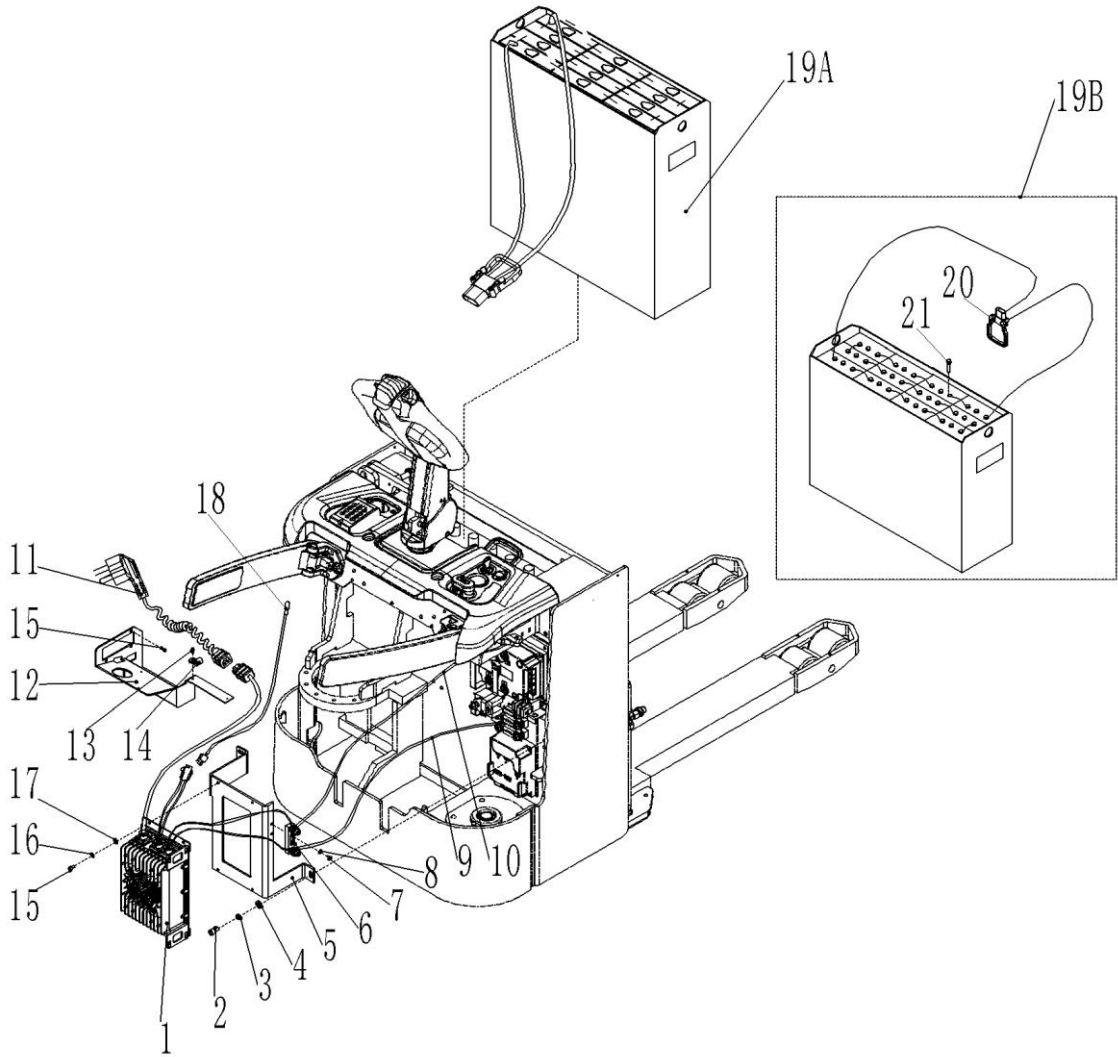


Fig. 6 Power Supply (built-in charger)

No.	Art No.	Description	Qty.	Note
1	921000100036	Charger, WT24V35A	1	
2	910200200055	Screw	3	M8x16
3	910400500006	Spring washer	3	8
4	910400100006	Flat washer	3	8
5	535936520001	Mounting plate	1	
6	920100400002	Fuse base	1	SY Y
7	910200200016	Screw	2	M4x20
8	910400500003	Spring washer	2	4
9	535933010013	Connecting cable	1	Bc-
10	535933010012	Connecting cable	1	Bc+
11	921500200032	Spring cord	1	Asia
	921500200033	Spring cord	1	EU
	921500200034	Spring cord	1	AUS
	921500200035	Spring cord	1	ENG
	921500200031	Spring cord	1	US
12	535936510001	Charging cable baffle welding	1	
13	910200500021	Screw	2	M4x10
14	921300200001	Cable fixing part	2	UC-1
15	910200200033	Screw	7	M6x12
16	910400500005	Spring washer	4	6
17	910400100005	Flat washer	4	6
18	922000100020	Indicating light	1	
19A	534737010000	Battery, 24V270Ah	1	Weld type
19B	534737010001	Battery, 24V270Ah	1	Bolt type
20	920400100007	Plug components	1	Only for bolt type battery
21	505698520000	Screw M10X22	24	

Fig. 7 Protective arm components

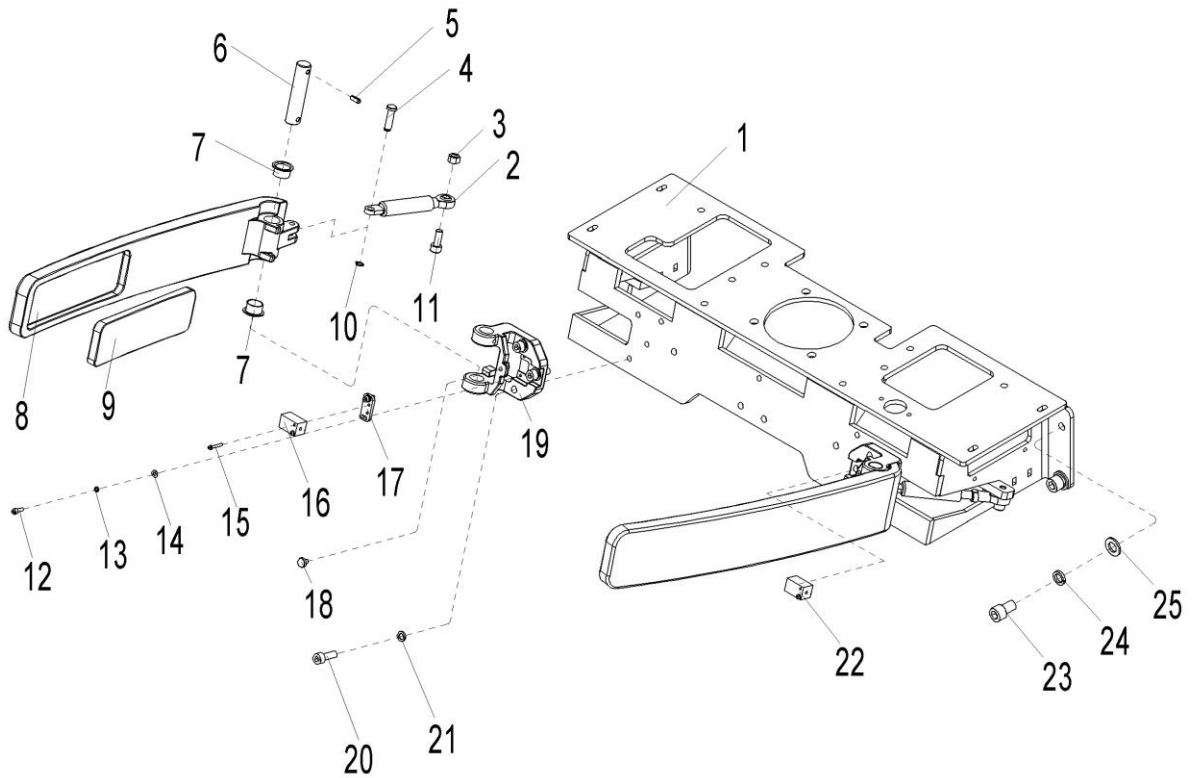


Fig. 7 Protective Arm Components

No.	Art No.	Description	Qty.	Note
1	535917510000	Protective arm mounting base welding	1	
2	940400100037	Air spring	2	250N
3	910300100006	Nut	2	M8
4	535917520010	Axle	2	
5	910600400025	Dowel pin	2	5x30
6	535917520007	Axle	2	
7	940500200003	Bushing	2	
8	535917520008	Protective arm	2	
9	535917520009	Protective pad	2	
10	910401300001	Elastic ring	2	8
11	910200200060	Screw	2	M8x35
12	910200200014	Screw	4	M4x12
13	910400500003	Spring washer	4	4
14	910400100003	Flat washer	4	4
15	910200500015	Screw	4	M3x20
16	505633510002	Proximity switch	1	800mm
17	535917520011	Mounting plate	2	
18	535917520012	Protective pad	2	
19	535917520006	mounting base	2	
20	910200200058	Screw	6	M8x25
21	910400500006	Spring washer	6	8
22	535933510000	Proximity switch	1	420mm
23	910200200096	Screw	4	M12x20
24	910400500008	Spring washer	4	12
25	910400100008	Flat washer	4	12

Fig. 8 Panel components

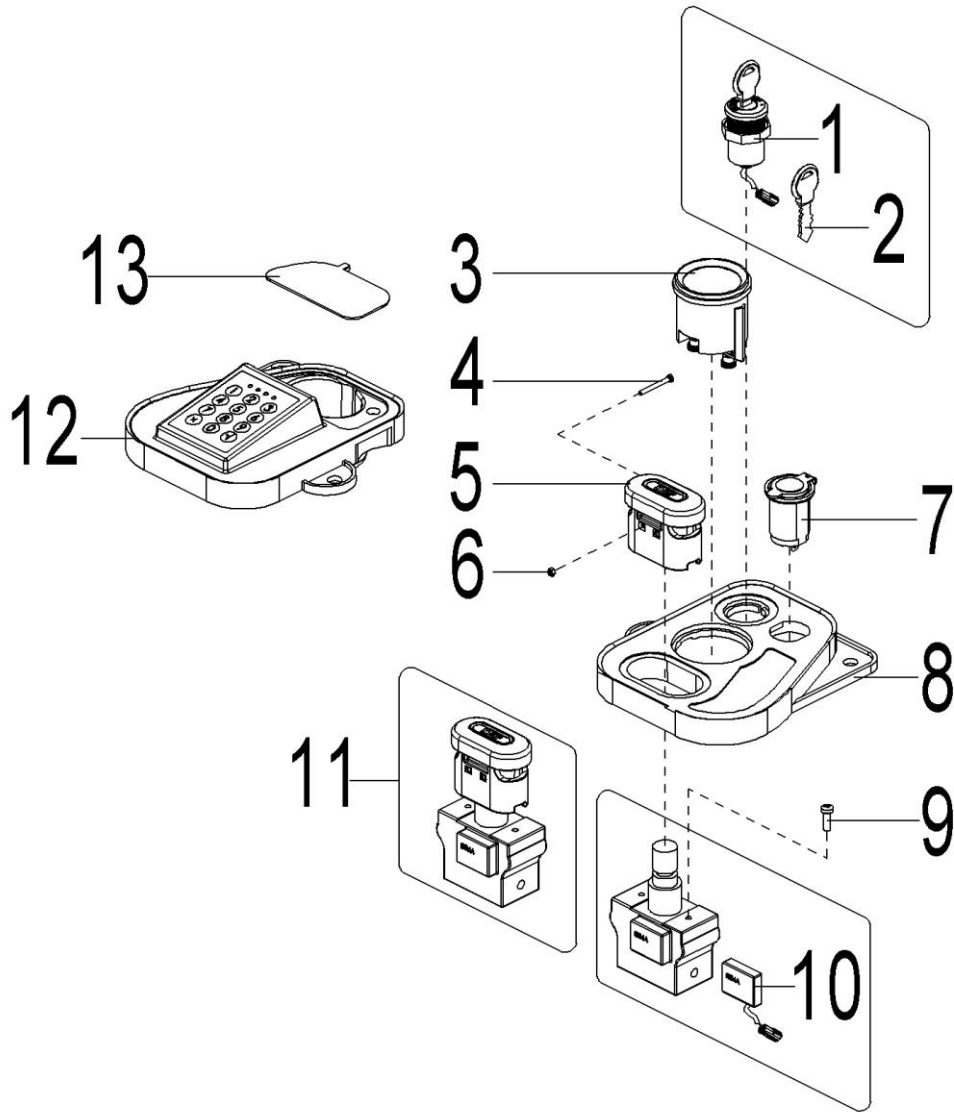


Fig. 8 Panel Components

No.	Art No.	Description	Qty.	Note
1	505634010000	Key switch	1	LKS-101A
	506734010000	Power button switch		
2	920200200001	Key switch	1	Only for LKS-101A key switch
3	921100100012	Panel	1	MDI-CAN-12V
4	910200500017	Screw	2	M3x30
5	920200100006	Mounting base	1	
6	910300100002	Nut	2	M3
7	206033010036	USB port	1	
8	535910020001	Panel (Right)	1	
9	910200500040	Screw	2	M5x16
10	920200100011	Micro switch	1	
11	920200100007	Emergency button	1	ZDK32-350-1
12	506733510008	Panel plate (Left)	1	with pin-code panel
	535910020002	Panel plate (Left)		Without pin-code panel
13	535910020003	Sealing plate	1	Only for external charger

Fig. 9 Battery cover components

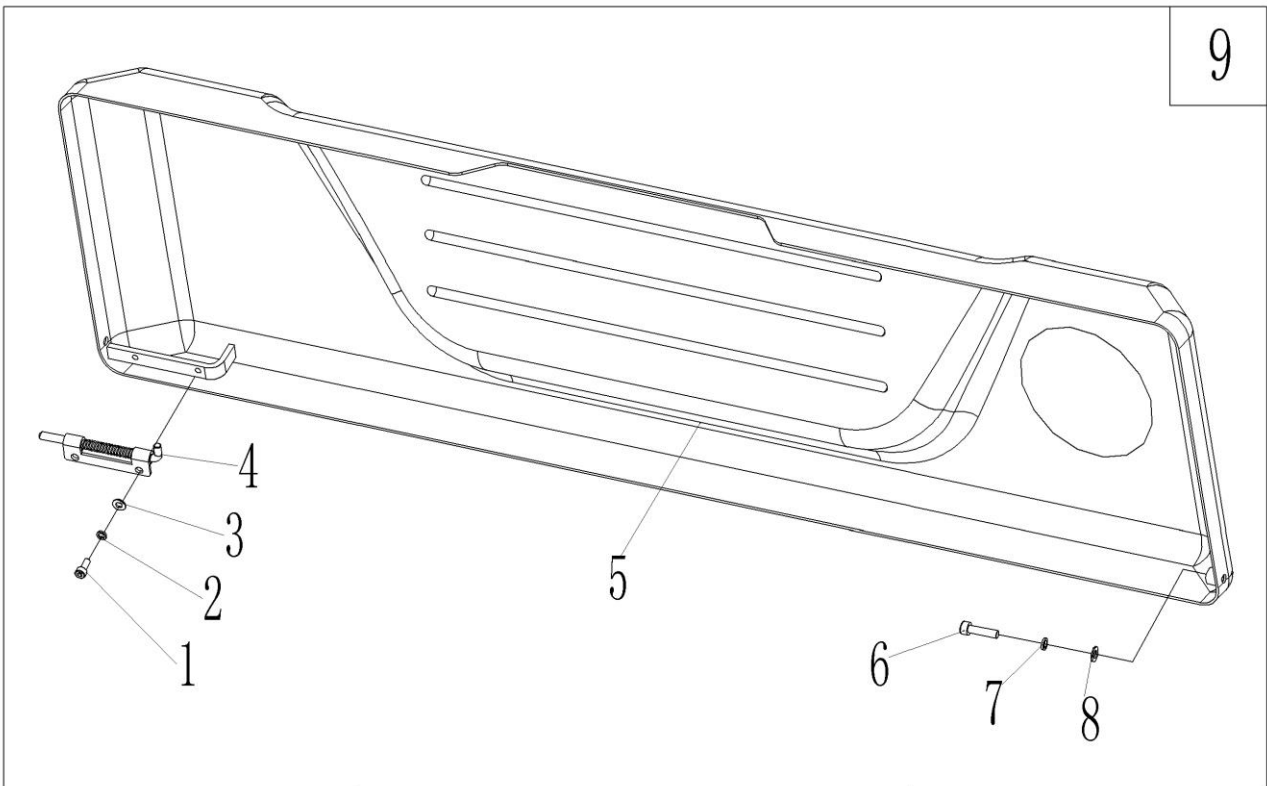


Fig. 9 Battery Cover Components

No.	Art No.	Description	Qty.	Note
1	910200200013	Screw	2	M4x10
2	910400500003	Spring washer	2	4
3	910400100003	Flat washer	2	4
4	940800900001	Pin	1	
5	535921010001	Battery cover welding	1	
6	910200200024	Screw	1	M5x20
7	910400500004	Spring washer	1	5
8	910400100004	Flat washer	1	5
9	535921001001	Battery cover assembly	1	

Fig. 10 Platform components

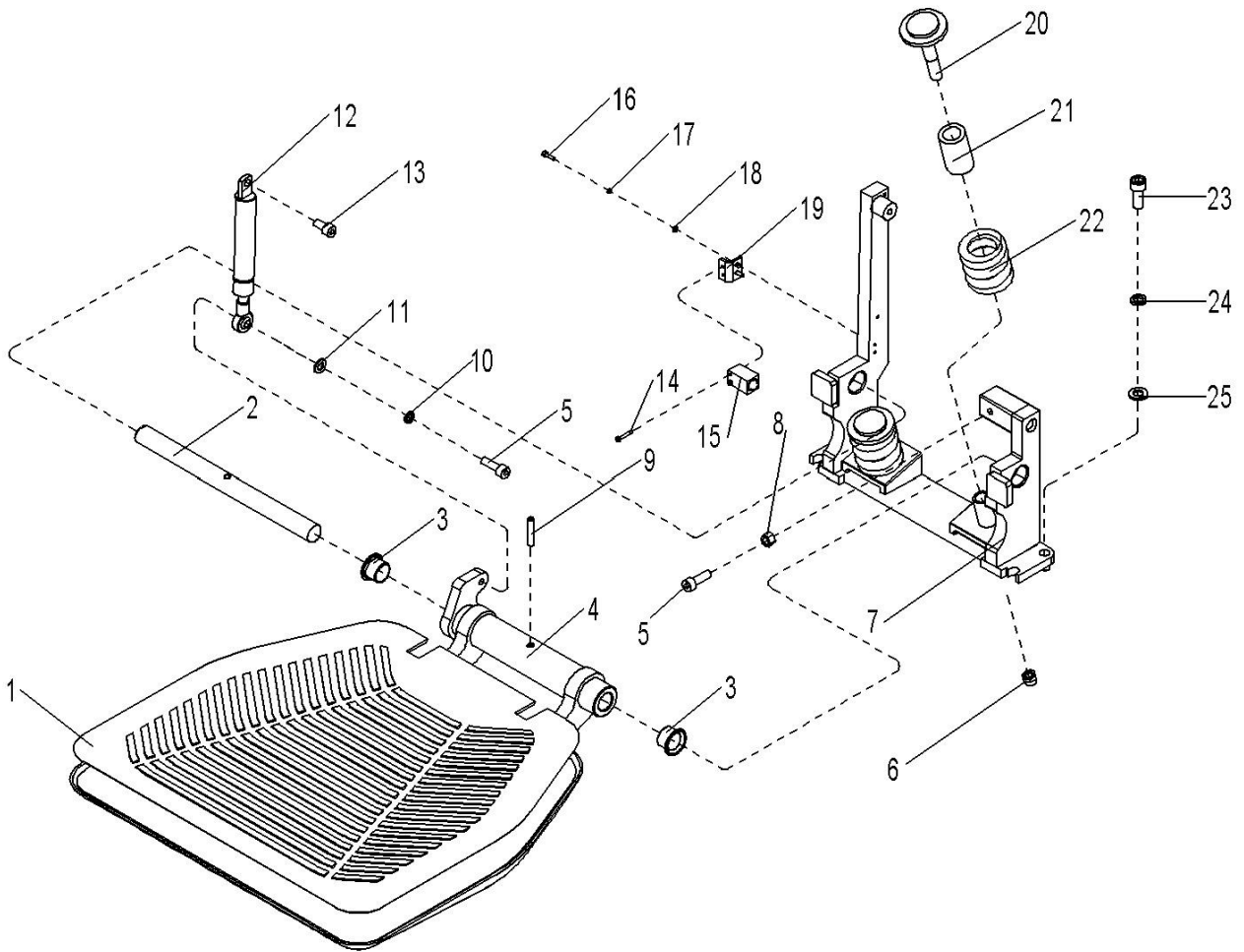


Fig. 10 Platform Components

No.	Art No.	Description	Qty.	Note
1	535918020019	Platform pad	1	
2	535918020014	Axle	1	
3	940500200008	Bushing	2	
4	535918010001	Platform welding	1	
5	910200200058	Screw	2	M8x25
6	910300500006	Nut	2	M12
7	535918010000	Mounting base welding	1	
8	910300100007	Nut	1	M10
9	910600400040	Dowel pin	1	6x35
10	910400500006	Spring washer	1	8
11	910400100006	Flat washer	1	8
12	940400100038	Air spring	1	800N
13	910200200057	Screw	1	M8x20
14	910200500015	Screw	2	M3x20
15	505633510002	Proximity switch	1	800mm
16	910200200003	Screw	2	M3x12
17	910400500002	Spring washer	2	3
18	910400100002	Flat washer	2	3
19	535918020015	Mounting plate	1	
20	535918020017	Bolt	2	M12x72
21	535918020018	PU bushing	2	
22	535918020016	Spring	2	
23	910200200076	Screw	2	M10x25
24	910400500007	Spring washer	2	10
25	910400100007	Flat washer	2	10

Fig. 11 Roller components

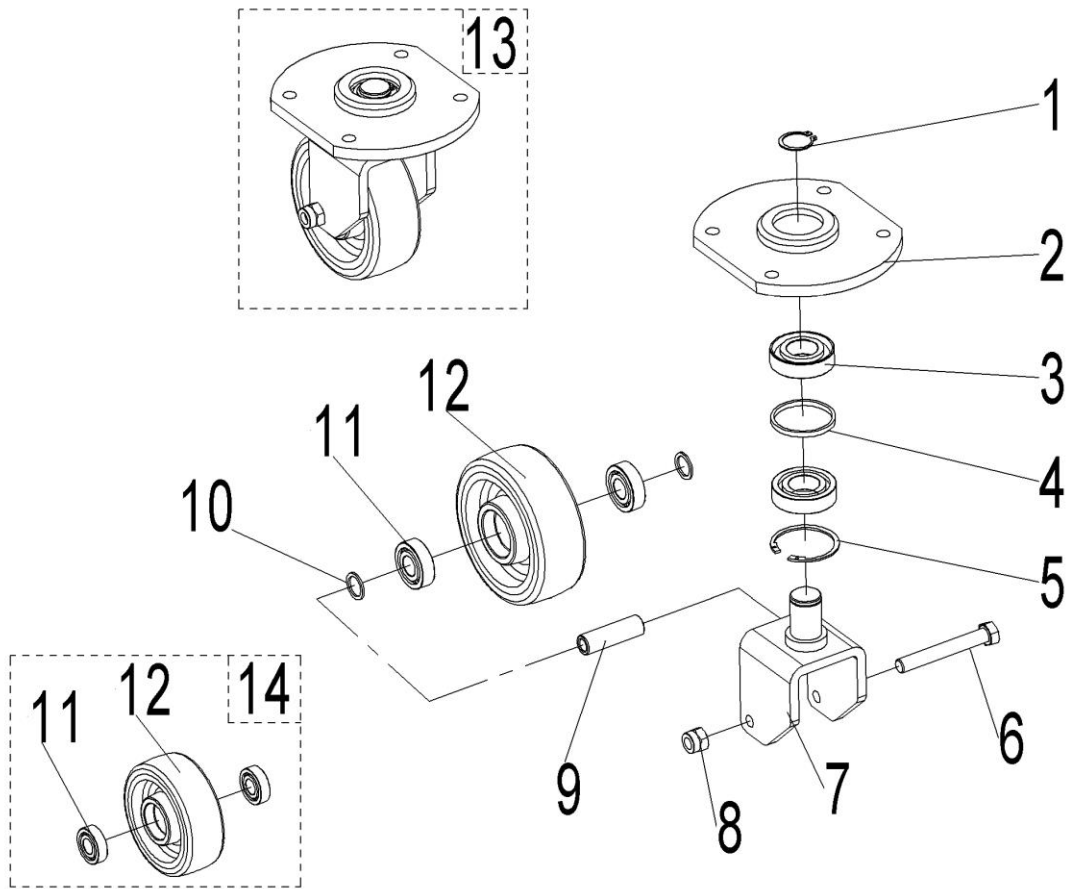


Fig. 11 Roller Components

No.	Art No.	Description	Qty.	Note
1	910401300016	Elastic ring	1	30
2	534716510000	Bearing base welding	1	
3	910700400004	Bearing	2	7206C
4	532616520001	Ring	1	
5	910401400018	Elastic ring	1	62
6	910100100069	Bolt	1	M14x100
7	534716510001	Rear roller frame welding	1	
8	910300500007	Nut	1	M14
9	532616520003	Sleeve	1	
10	940600500014	Washer	2	
11	910700200019	Bearing	2	6204
12	940300300020	Roller	1	
13	534716510002	Roller assembly	1	
14	533298510003	Roller set	1	

Fig. 12 Full free lifting three-stage mast

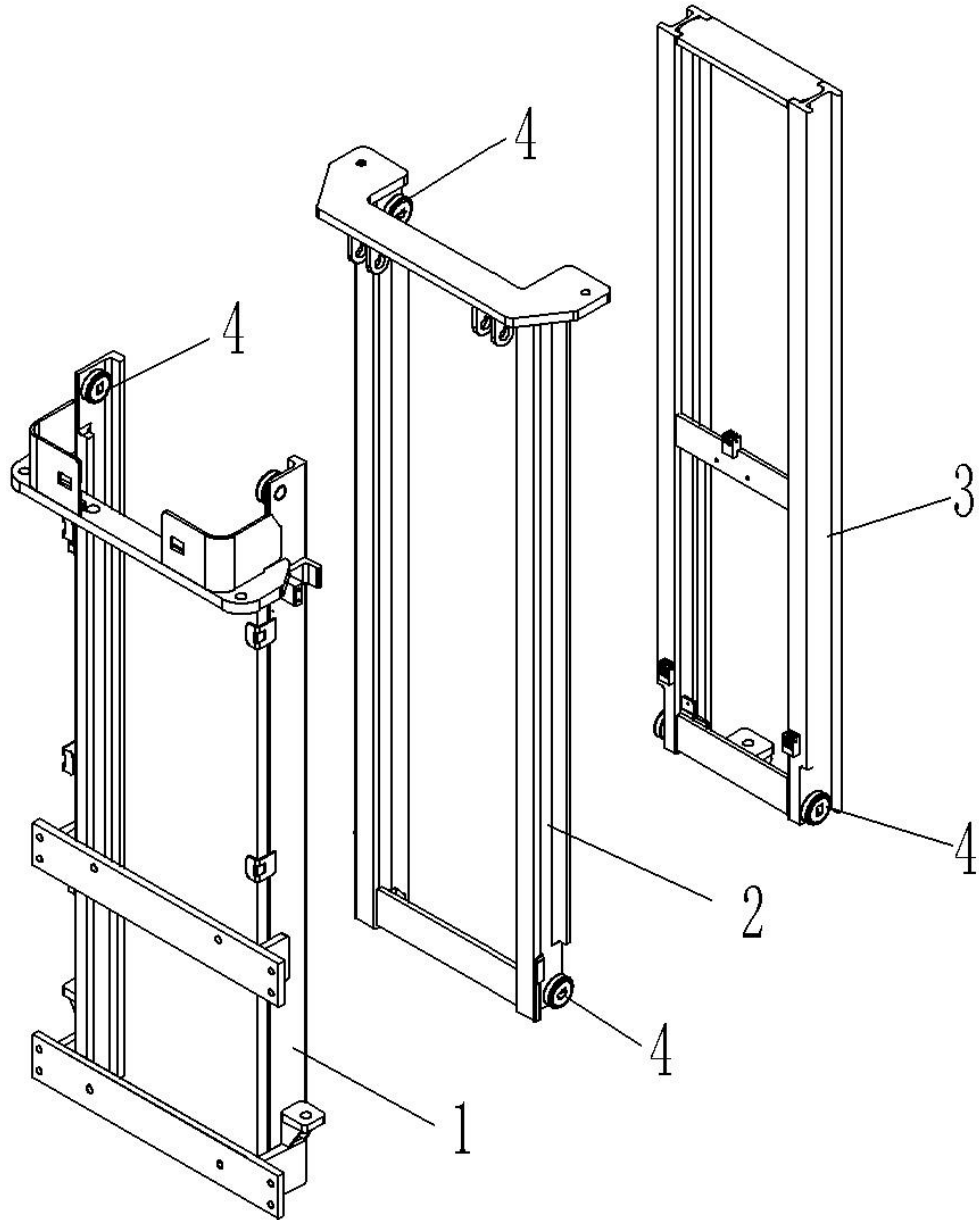


Fig. 12 Full Free Lifting Three-stage Mast

No.	Art No.	Description	Qty.	Note
1	534744510032	External mast	1	5500
	534744510035	External mast	1	5300
	534744510030	External mast	1	4600
	534744510037	External mast	1	4300
	534744510039	External mast	1	4000
	534744510041	External mast	1	3400
2	534744510033	Middle mast	1	5500
	534744510036	Middle mast	1	5300
	534744510031	Middle mast	1	4600
	534744510038	Middle mast	1	4300
	534744510040	Middle mast	1	4000
	534744510042	Middle mast	1	3400
3	534744510034	Inner mast	1	5500
	534744510010	Inner mast	1	5300
	534744510008	Inner mast	1	4600
	534744510009	Inner mast	1	4300
	534744510011	Inner mast	1	4000
	534744510043	Inner mast	1	3400
4	940200300004	Compound roller	8	

Fig. 13 Standard lifting three-stage mast

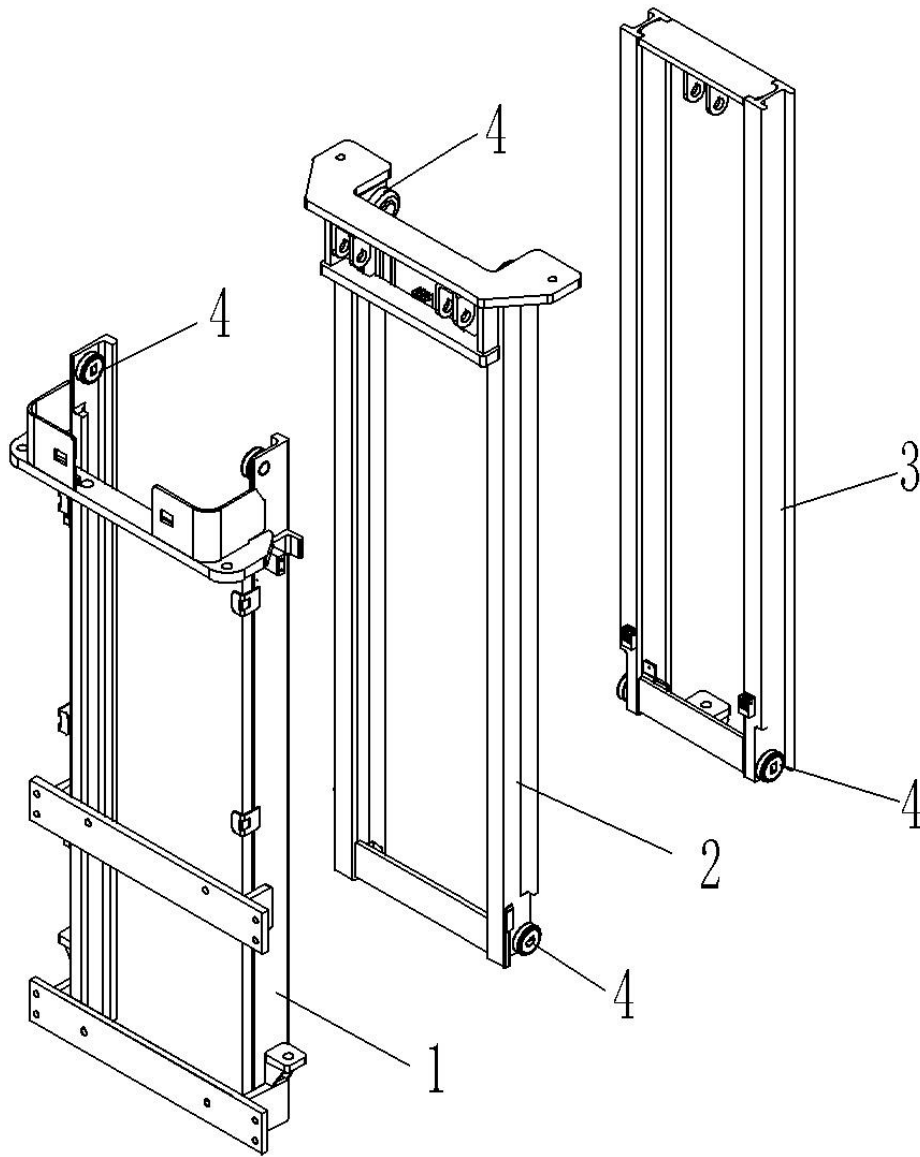


Fig. 13 Standard Lifting Three-stage Mast

No.	Art No.	Description	Qty.	Note
1	534745010010	External mast	1	4600
	534745010012	External mast	1	4300
2	534745010011	Middle mast	1	4600
	534745010013	Middle mast	1	4300
3	534745010004	Inner mast	1	4600
	534745010005	Inner mast	1	4300
4	940200300004	Compound roller	8	

Fig. 14 Full free lifting two-stage mast

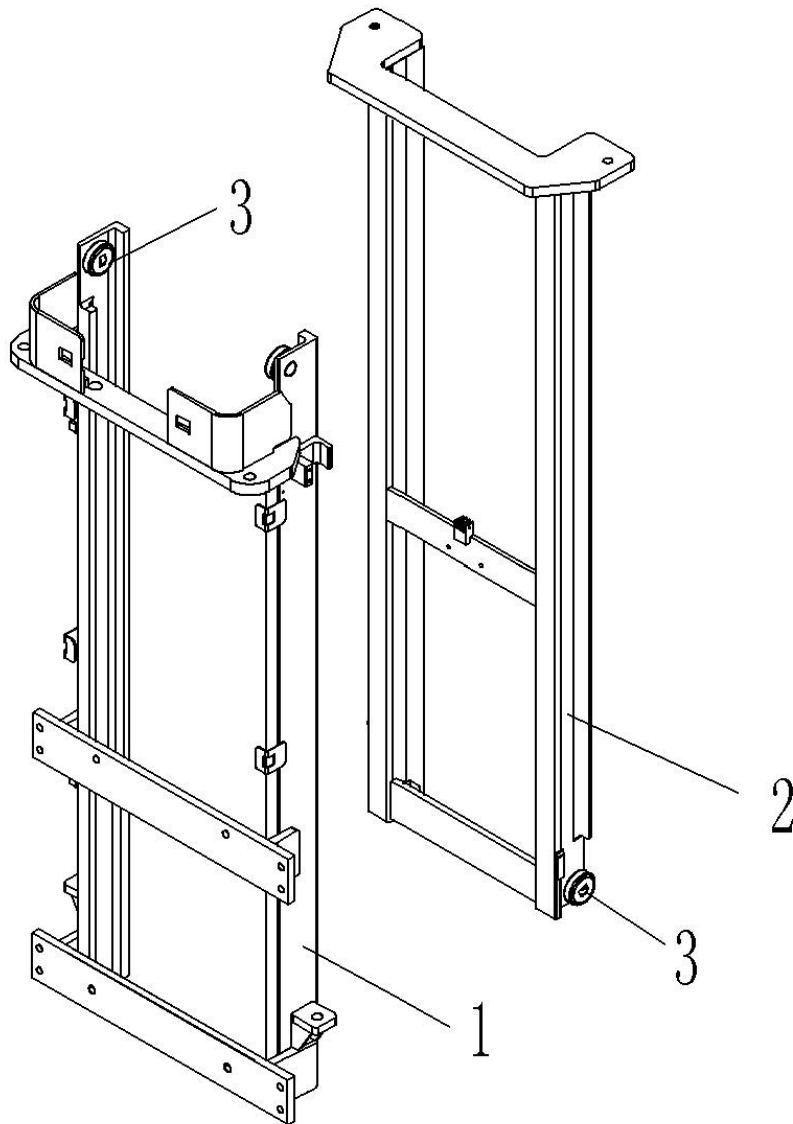


Fig. 14 Full Free Lifting Two-stage Mast

No.	Art No.	Description	Qty.	Note
1	534743510020	External mast	1	3600
	534743510021	External mast	1	3200
	534743510022	External mast	1	2900
2	534743510023	Inner mast	1	3600
	534743510024	Inner mast	1	3200
	534743510025	Inner mast	1	2900
3	940200300004	Compound roller	4	

Fig. 15 Standard lifting two-stage mast

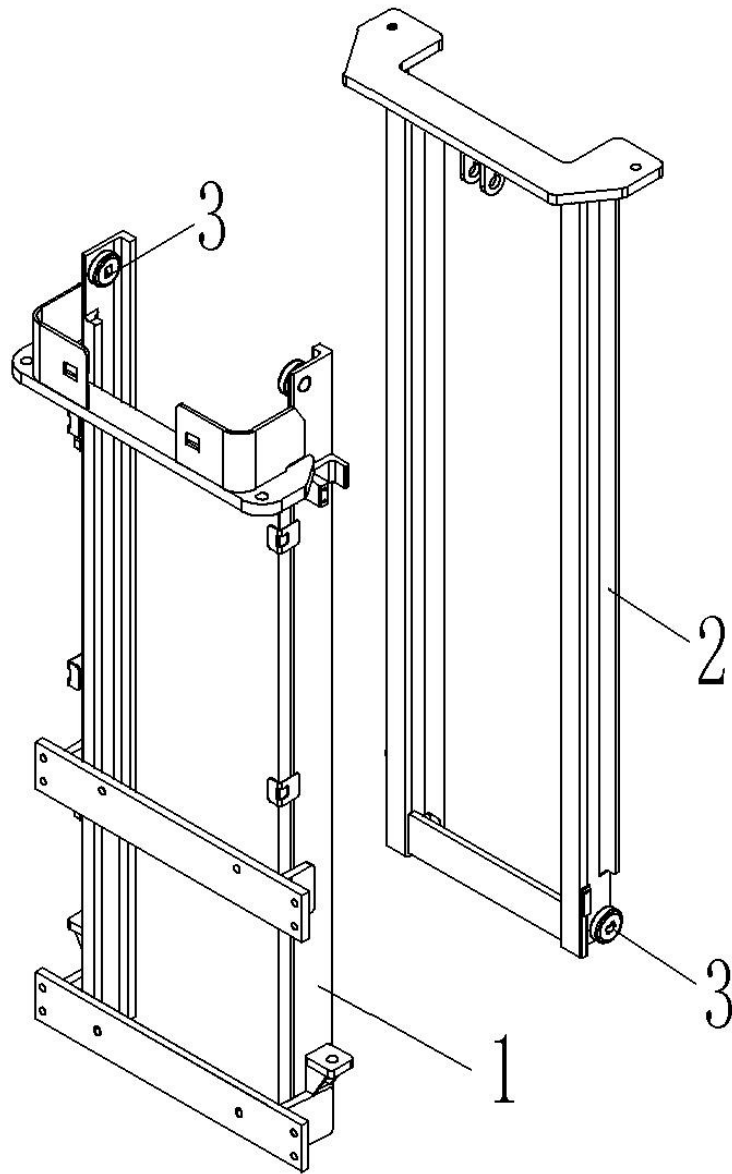


Fig. 15 Standard Lifting Two-stage Mast

No.	Art No.	Description	Qty.	Note
1	534744010011	External mast	1	3600
	534744010012	External mast	1	3200
	534744010013	External mast	1	2900
2	534744010014	Inner mast	1	3600
	534744010015	Inner mast	1	3200
	534744010016	Inner mast	1	2900
3	940200300004	Compound roller	4	

Fig. 16 Chain of full free lifting three-stage mast

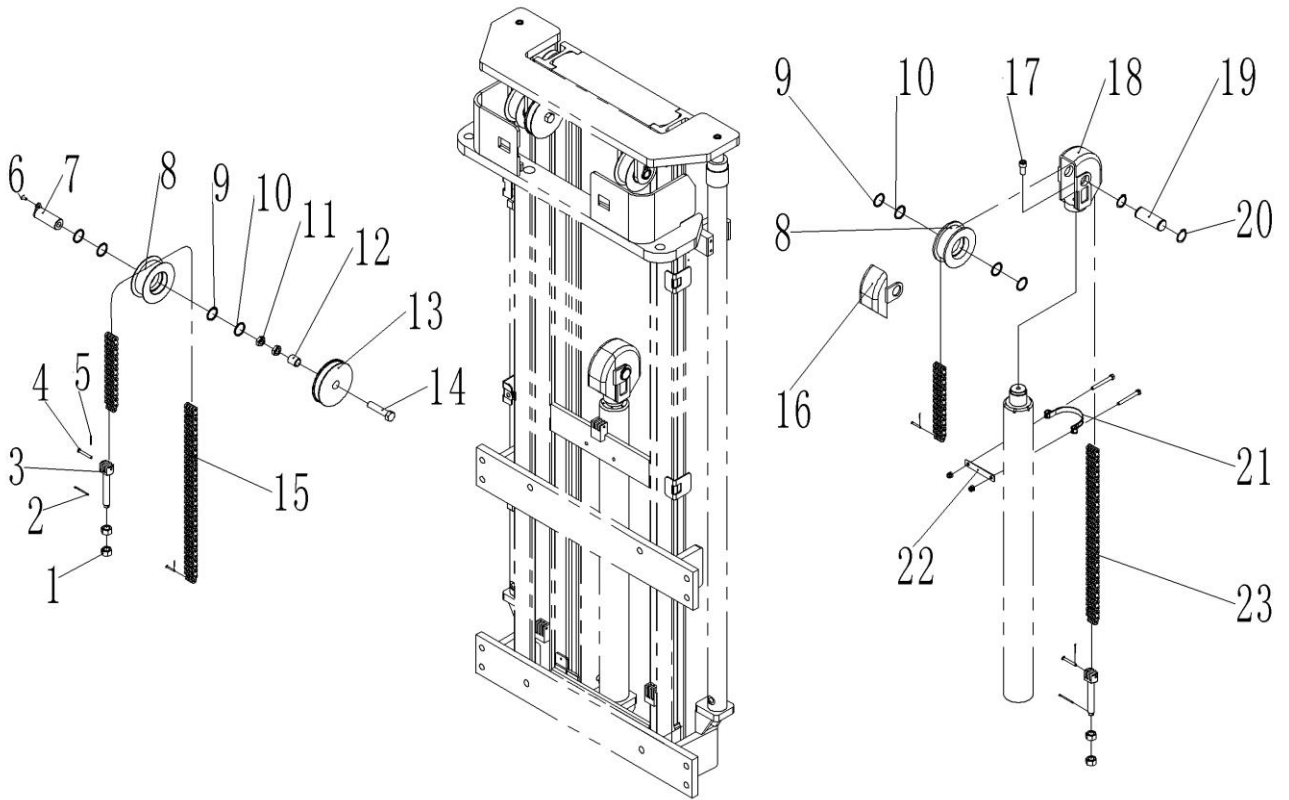


Fig. 16 Chain of Full Free Lifting Three-stage Mast

No.	Art No.	Description	Qty.	Note
1	910300200008	Nut	6	M16x1.5
2	910600600032	Split pin	3	3.2x40
3	941300100008	Chain bolt	3	M16x1.5x130
4	941100800006	Short axle	6	B6x45
5	910600600015	Split pin	6	2x20
6	910200400016	Screw	2	M6x12
7	533544510006	Plate with axle	2	
8	940200500010	Chain pulley	3	
9	940600500008	Washer	6	thickness 2
10	940600500009	Washer	6	thickness 4
11	910300300008	Nut	2	M16
12	532644520028	Sleeve	1	
13	532644520032	Pulley	1	
14	910100100074	Bolt	1	M16x70
15	535044510031	Chain, LH1066-143	2	5500
	534744010009	Chain, LH1066-137	2	5300
	534145010005	Chain, LH1066-123	2	4600
	534745010009	Chain, LH1066-117	2	4300
	534744510027	Chain, LH1066-111	2	4000
	532644510081	Chain, LH1066-97	2	3400
16	532644520036	Side cap	1	
17	910200200097	Screw	1	M12x25
18	532644520035	Pulley base	1	
19	532644520037	Axle	1	
20	910401300016	Elastic ring	2	30
21	940800600002	Hoop components	1	Centre distance 96
22	534744520014	Pad	1	
23	532644510079	Chain, LH1066-89	1	5500
	532644510073	Chain, LH1066-85	1	5300
	251044510096	Chain, LH1066-77	1	4600
	532644510077	Chain, LH1066-75	1	4300
	532644510075	Chain, LH1066-73	1	4000
	534744510046	Chain, LH1066-65	1	3400

Fig. 17 Chain of standard lifting three-stage mast

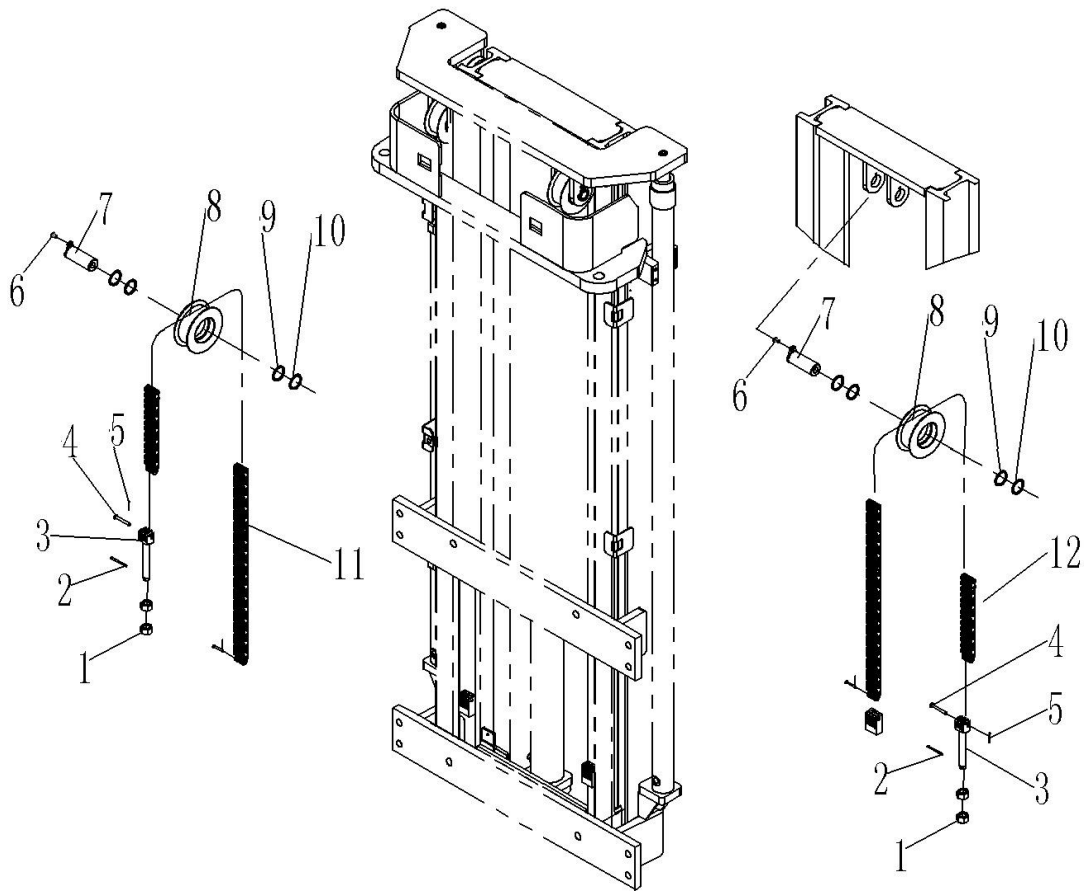


Fig. 17 Chain of Standard Lifting Three-stage Mast

No.	Art No.	Description	Qty.	Note
1	910300200008	Nut	6	M16x1.5
2	910600600032	Split pin	3	3.2x40
3	941300100008	Chain Bolt	3	M16x1.5x130
4	941100800006	Short axle	6	B6x45
5	910600600015	Split pin	6	2x20
6	910200400016	Screw	3	M6x12
7	533544510006	Plate with axle	3	
8	940200500010	Chain pulley	3	
9	940600500008	Washer	6	thickness 2
10	940600500009	Washer	6	thickness 4
11	534145010005	Chain, LH1066-123	2	4600
	534745010009	Chain, LH1066-117	2	4300
12	534745010008	Chain, LH1066-119	1	4600
	535044510020	Chain, LH1066-113	1	4300

Fig. 18 Chain of full free lifting two-stage mast

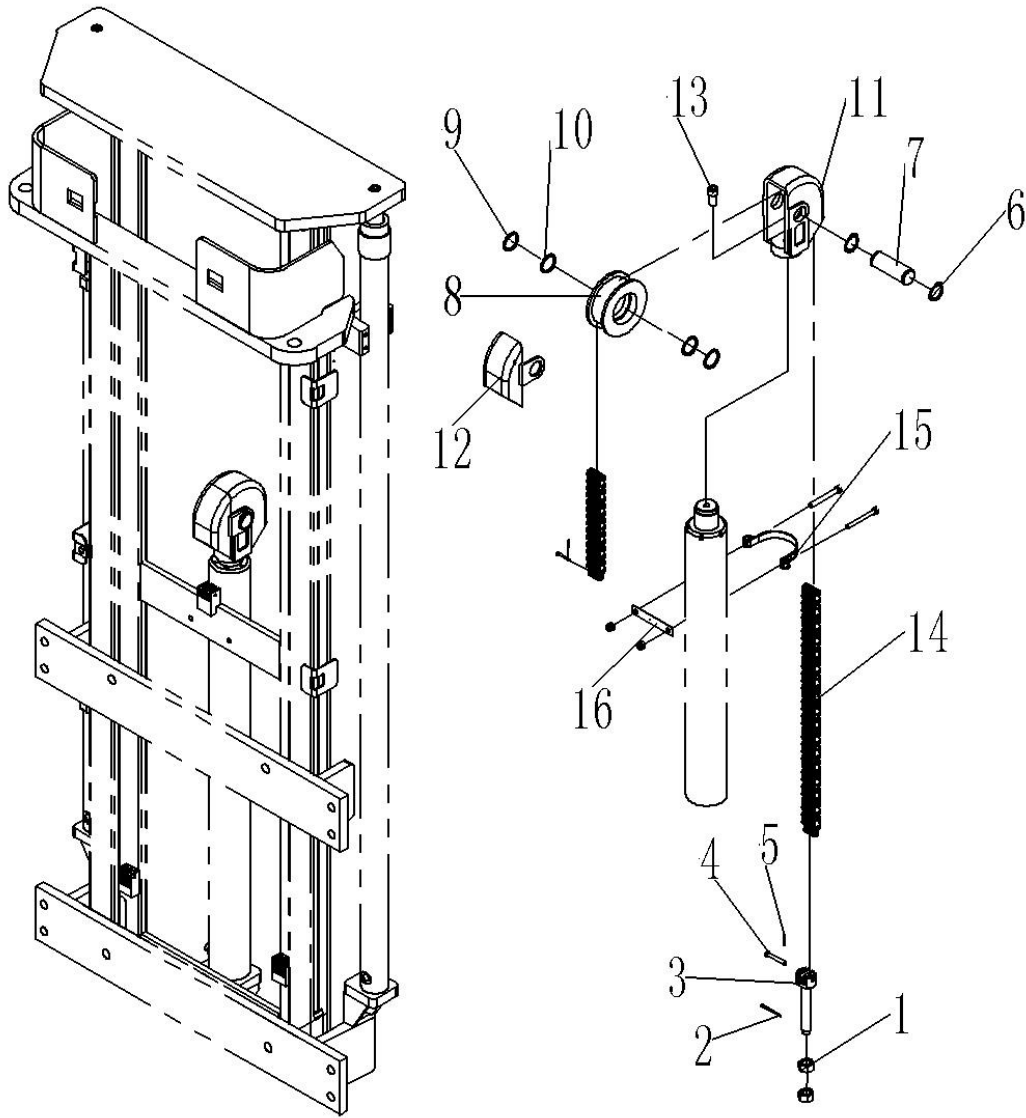


Fig. 18 Chain of Full Free Lifting Two-stage Mast

No.	Art No.	Description	Qty.	Note
1	910300200008	Nut	2	M16x1.5
2	910600600032	Split pin	1	3.2x40
3	941300100008	Chain Bolt	1	M16x1.5x130
4	941100800006	Short axle	2	B6x45
5	910600600015	Split pin	2	2x20
6	910401300016	Elastic ring	2	30
7	532644520037	Axle	1	
8	940200500010	Chain pulley	1	
9	940600500008	Washer	2	thickness 2
10	940600500009	Washer	2	thickness 4
11	532644520035	Pulley base	1	
12	532644520036	Side cap	1	
13	910200200097	Screw	1	M12x25
14	532644510073	Chain, LH1066-85	1	3600
	532644510083	Chain, LH1066-79	1	3200
	532644510077	Chain, LH1066-75	1	2900
15	940800600002	Hoop components	1	Centre distance 96
16	534744520014	Pad	1	

Fig. 19 Chain of standard lifting two-stage mast

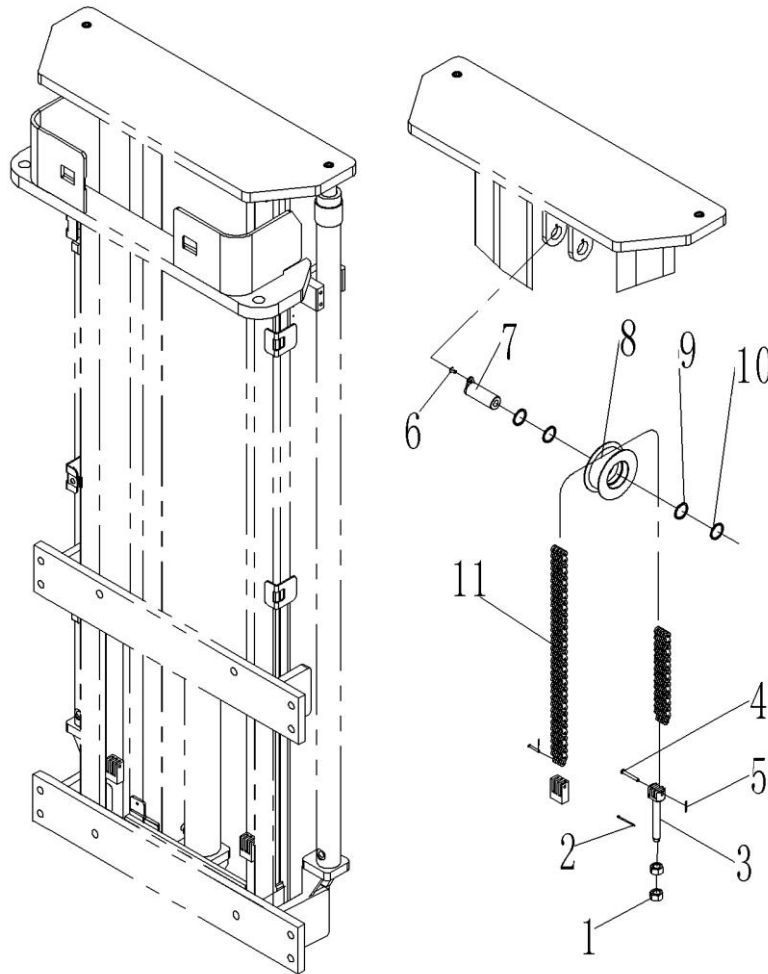


Fig. 19 Chain of Standard Lifting Two-stage Mast

No.	Art No.	Description	Qty.	Note
1	910300200008	Nut	2	M16x1.5
2	910600600032	Split pin	2	3.2x40
3	941300100008	Chain Bolt	1	M16x1.5x130
4	941100800006	Short axle	2	B6x45
5	910600600015	Split pin	1	2x20
6	910200400016	Screw	1	M6x12
7	533544510006	Plate with axle	1	
8	940200500010	Chain pulley	1	
9	940600500008	Washer	2	thickness 2
10	940600500009	Washer	2	thickness 4
11	534744010009	Chain, LH1066-137	1	3600
	532944010015	Chain, LH1066-125	1	3200
	534744010010	Chain, LH1066-115	1	2900

Fig. 20 Other parts of mast

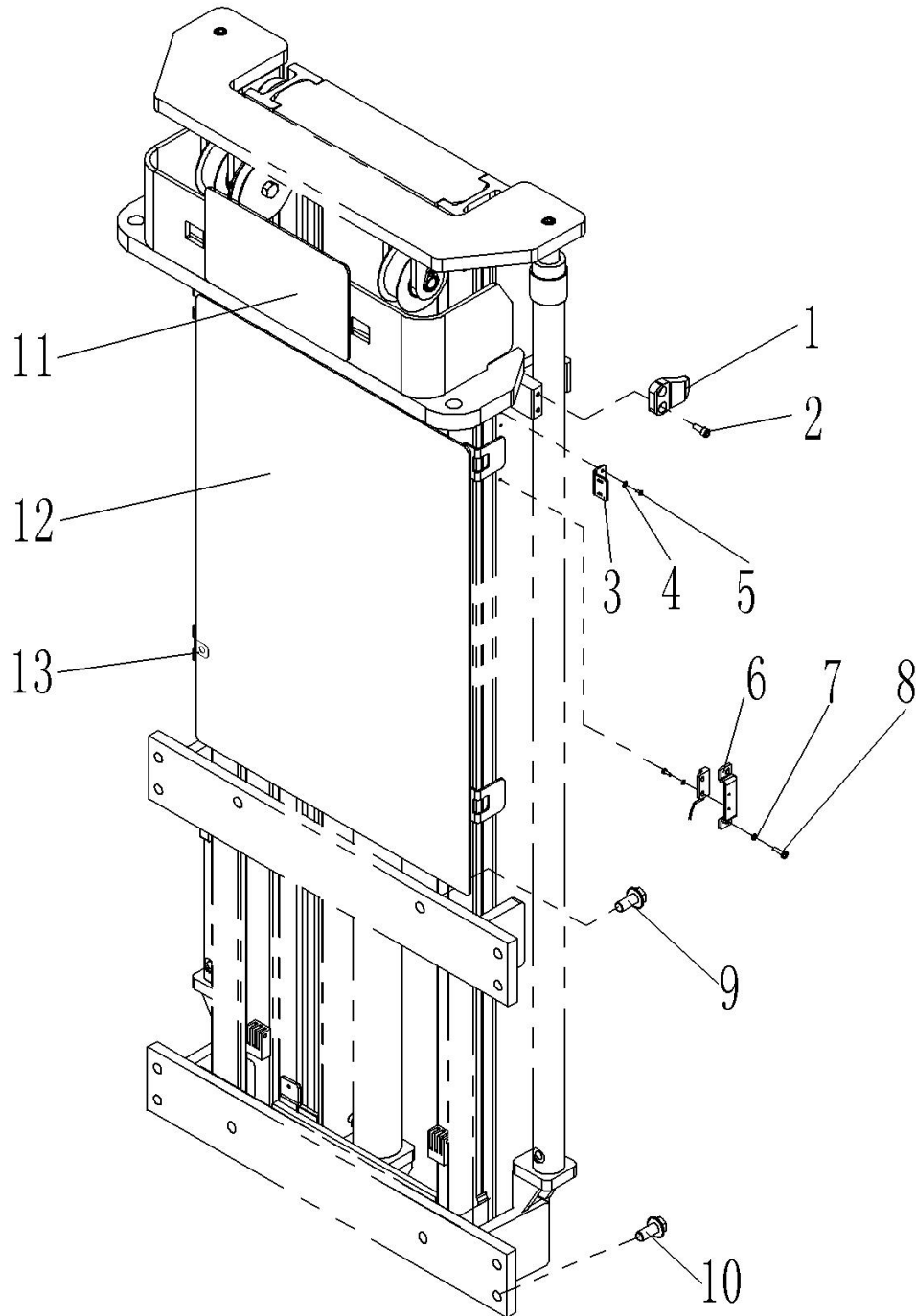


Fig. 20 Other Parts of Mast

No.	Art No.	Description	Qty.	Note
1	275044020076	Plate	2	
2	910200200057	Screw	4	M8x20
3	534744520036	Fixing plate	1	
4	910400100003	Flat washer	2	4
5	910200300005	Screw	2	M4x8
6	534744520059	Protective cover	2	
7	910400500003	Spring washer	4	4
8	910200200014	Screw	4	M4x12
9	910100800005	Bolt	4	M16x35
10	910100800006	Bolt	8	M16x40
11	534744520037	Protective plate	1	
12	534744520052	Protective plate	1	5500
	534744520040	Protective plate	1	5300
	534744520038	Protective plate	1	4600/3200
	534744520039	Protective plate	1	4300
	534744520041	Protective plate	1	4000
	534744020006	Protective plate	1	3600
	534744520072	Protective plate	1	3400
	534744020011	Protective plate	1	2900
13	940400300001	Clip	6 or 8	

Fig. 21 Full free lifting three-stage mast hydraulic system

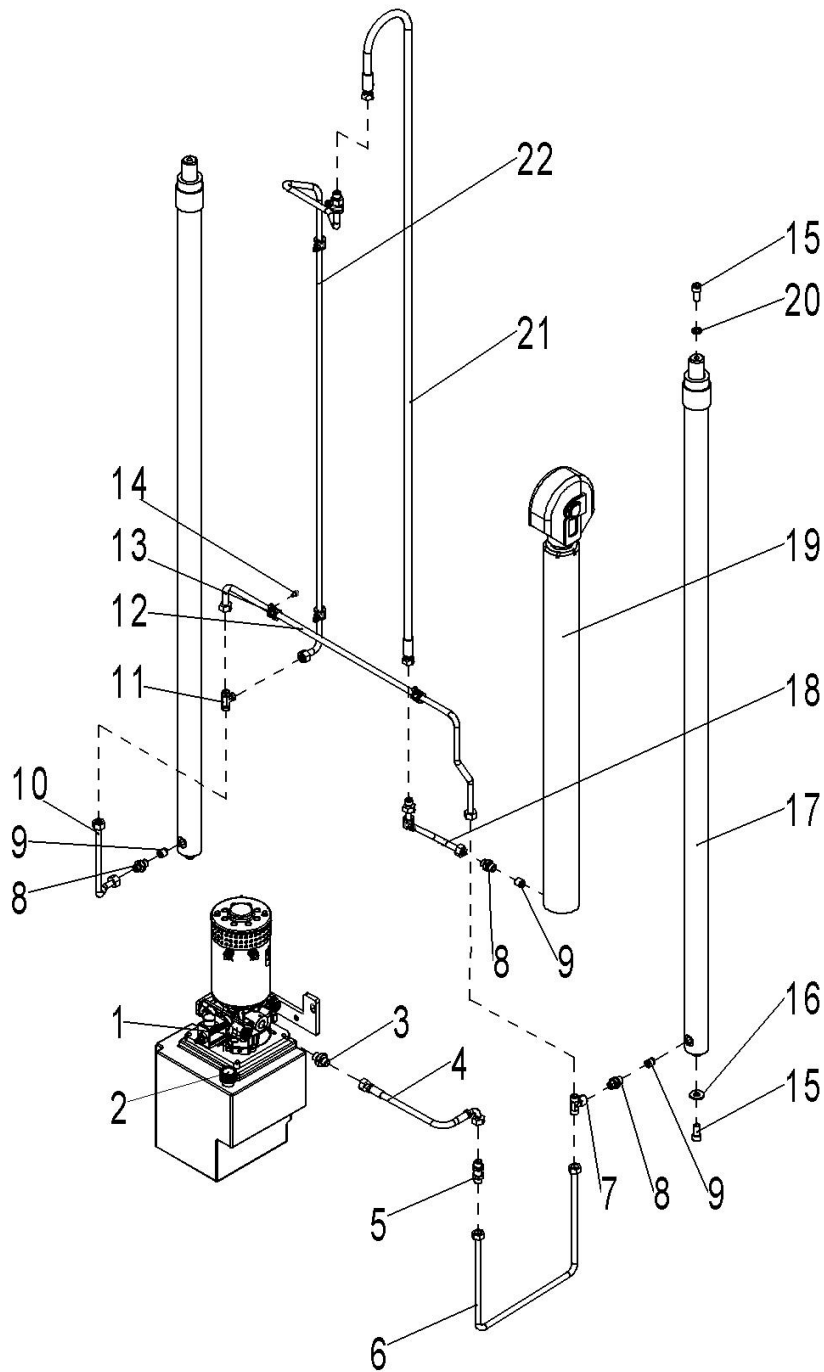


Fig. 21 Full Free Lifting Three-stage Mast Hydraulic System

No.	Art No.	Description	Qty.	Note
1	535998510000	Pump assembly	1	
2	951100200001	Vent plug	1	M18x1.5
3	950400300005	Joint (Straight)	1	
4	201027520002	Hydraulic pipe assembly (90°)	1	
5	950400500001	Joint (Straight)	1	
6	535924010001	Hydraulic pipe	1	

7	950400900002	Joint (Steering T)	1	
8	950400400003	Joint (Straight)	3	
9	950600300001	Safety valve	3	
10	533545020026	Hydraulic pipe	1	
11	950400700002	Joint (three-stage mast)	1	
12	535924010002	Hydraulic pipe	1	
13	951000100001	Rubber clip, YGE	4	12
14	910200200032	Screw	4	M6x10
15	910200200097	Screw	4	M12x25
16	534744520015	Pad	2	
17	534744510028	Cylinder	2	5500
	534744510018	Cylinder	2	5300
	534744510016	Cylinder	2	4600
	534744510017	Cylinder	2	4300
	534744510019	Cylinder	2	4000
	534744510044	Cylinder	2	3400
18	533544520006	Hydraulic pipe	1	
19	534744510029	Cylinder (M)		5500
	534744510014	Cylinder (M)	1	5300
	534744510012	Cylinder (M)	1	4600
	534744510013	Cylinder (M)	1	4300
	534744510015	Cylinder (M)	1	4000
	534744510045	Cylinder (M)	1	3400
20	910400500008	Spring washer	2	12
21	534744520044	Hydraulic pipe assembly (Straight)	1	5500
	534744520050	Hydraulic pipe assembly (Straight)	1	5300
	532644520144	Hydraulic pipe assembly (Straight)	1	4600
	532644520143	Hydraulic pipe assembly (Straight)	1	4300
	534744520043	Hydraulic pipe assembly (Straight)	1	4000
	534744520073	Hydraulic pipe assembly (Straight)	1	3400
22	534744520045	Hydraulic pipe	1	5500
	534744510022	Hydraulic pipe	1	5300
	534744510020	Hydraulic pipe	1	4600
	534744510021	Hydraulic pipe	1	4300
	534744510023	Hydraulic pipe	1	4000
	534744520074	Hydraulic pipe	1	3400

Fig. 22 Standard lifting three-stage mast hydraulic system

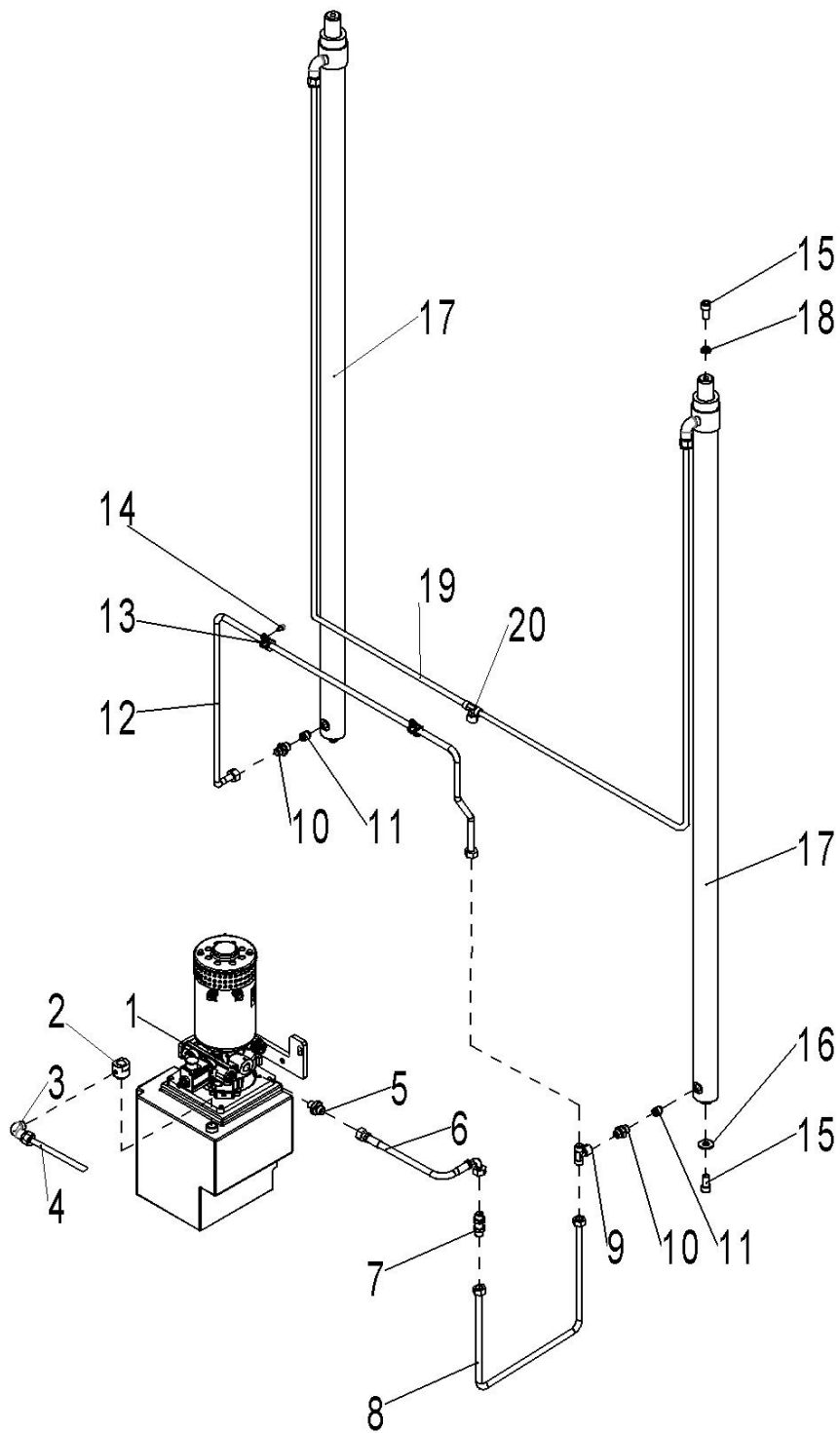


Fig. 22 Standard Lifting Three-stage Mast Hydraulic System

No.	Art No.	Description	Qty.	Note
1	535998510000	Pump assembly	1	
2	532624020015	Joint	1	
3	950500100001	Joint	3	
4	535924020002	Oil return tube	1	
5	950400300005	Joint (Straight)	1	
6	201027520002	Hydraulic pipe assembly (90°)	1	
7	950400500001	Joint (Straight)	1	
8	535924010001	Hydraulic pipe	1	
9	950400900002	Joint (Steering T)	1	
10	950400400003	Joint (Straight)	2	
11	950600300001	Safety valve	2	
12	535924010004	Hydraulic pipe	1	
13	951000100001	Rubber clip, YGE	2	12
14	910200200032	Screw	2	M6x10
15	910200200097	Screw	4	M12x25
16	534744520015	Pad	2	
17	534745010006	Cylinder	2	4600
	534745010007	Cylinder	2	4300
18	910400500008	Spring washer	2	12
19	534745020002	Oil return tube	2	
20	950500200001	Joint	1	

Fig. 23 Full free lifting two-stage mast hydraulic system

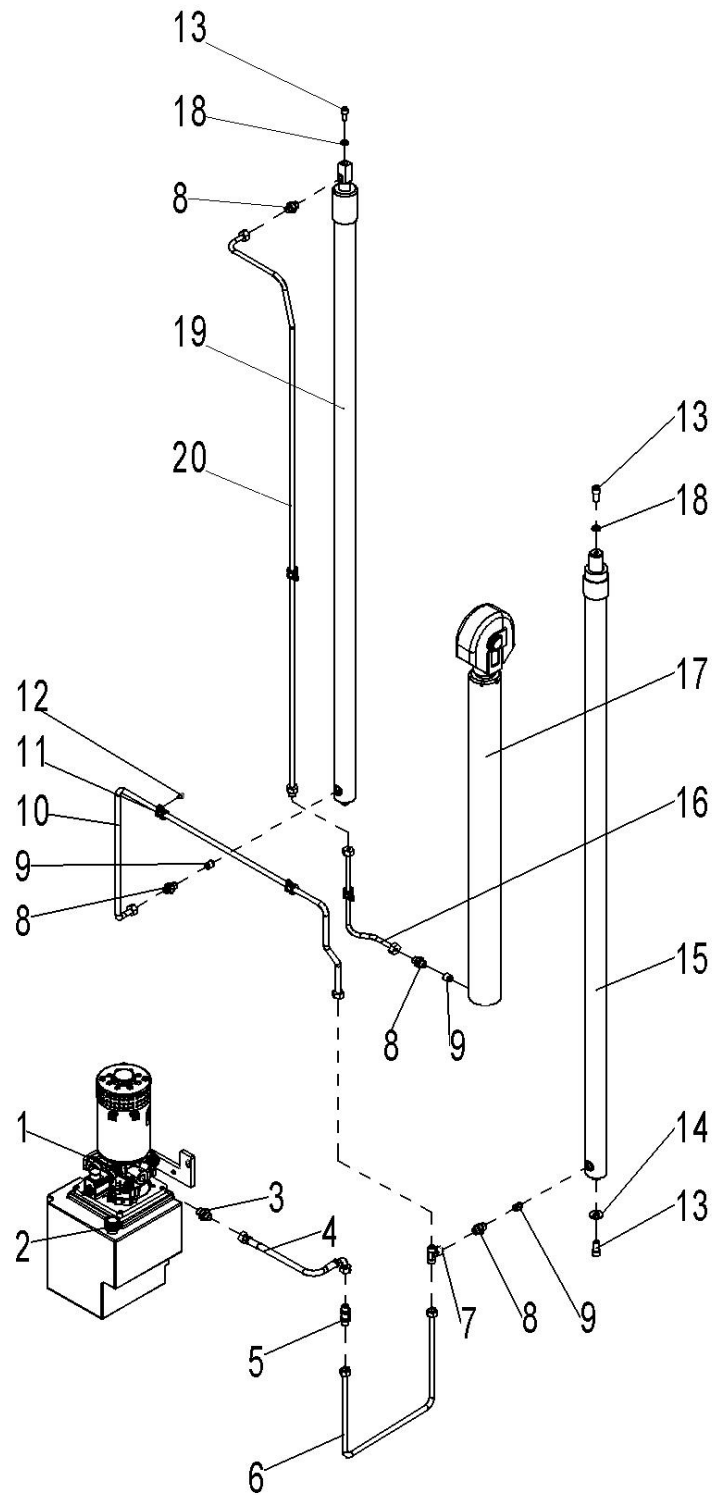


Fig. 23 Full Free Lifting Two-stage Mast Hydraulic System

No.	Art No.	Description	Qty.	Note
1	535998510000	Pump assembly	1	
1	951100200001	Vent plug	1	M18x1.5
2	950400300005	Joint (Straight)	1	
3	201027520002	Hydraulic pipe assembly (90°)	1	
4	950400500001	Joint (Straight)	1	
5	535924010003	Hydraulic pipe	1	
6	950400900002	Joint (Steering T)	1	
7	950400400003	Joint (Straight)	3	
8	950600300001	Safety valve	2	
9	535624010002	Hydraulic pipe	1	
10	951000100001	Rubber clip, YGE	4	12
11	910200200032	Screw	4	M6x10
12	910200200097	Screw	4	M12x25
13	534744520015	Pad	2	
14 15	534743510012	Cylinder (R)	1	3600
	534743510013	Cylinder (R)	1	3200
	534743510014	Cylinder (R)	1	2900
	534743510018	Hydraulic pipe	1	
16 17	534743510009	Cylinder (M)	1	3600
	534743510010	Cylinder (M)	1	3200
	534743510011	Cylinder (M)	1	2900
	910400500008	Spring washer	2	12
18 19	534743510006	Cylinder (L)	1	3600
	534743510007	Cylinder (L)	1	3200
	534743510008	Cylinder (L)	1	2900
20	534743510015	Hydraulic pipe	1	3600
	534743510016	Hydraulic pipe	1	3200
	534743510017	Hydraulic pipe	1	2900

Fig. 24 Standard lifting two-stage mast hydraulic system

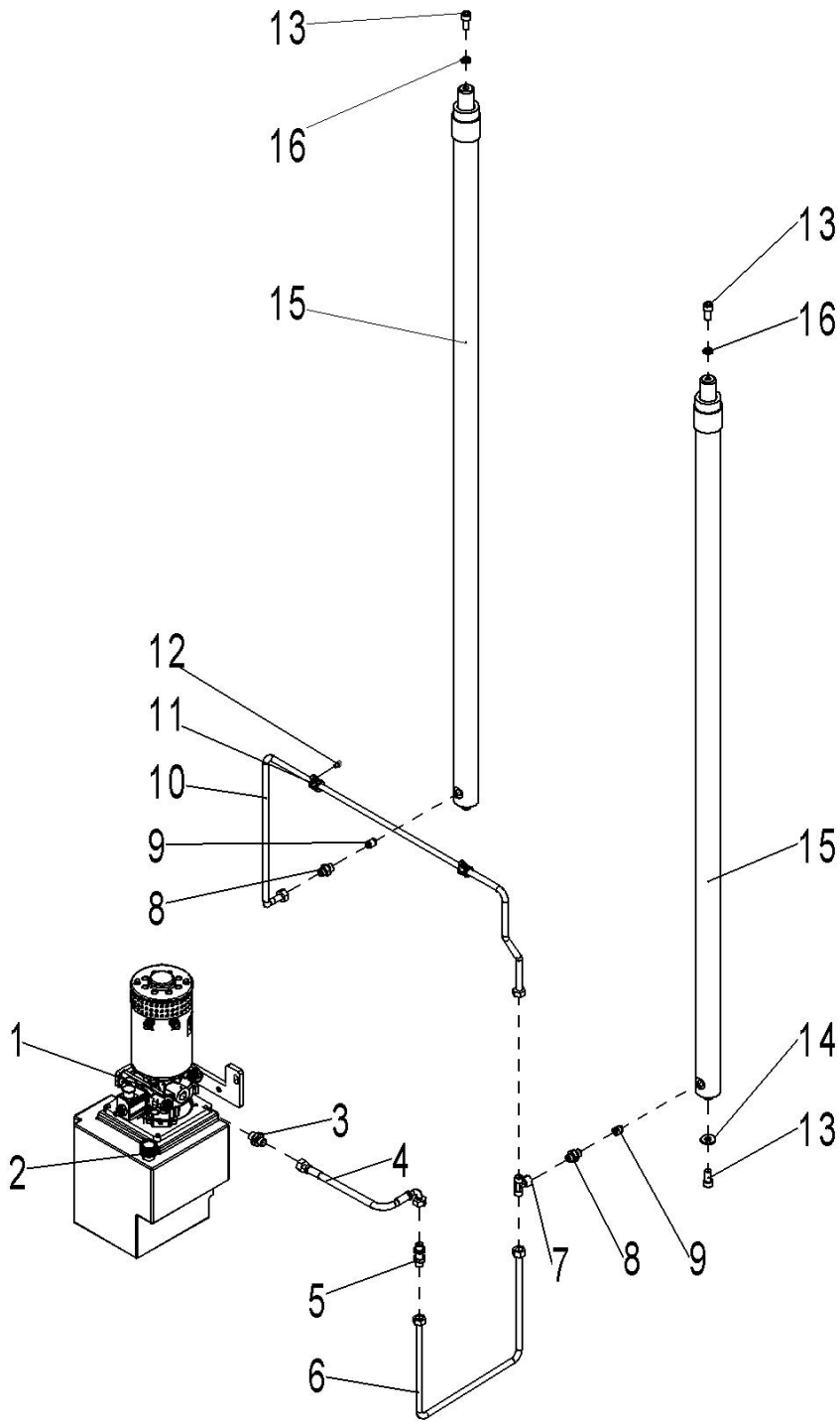


Fig. 24 Standard Lifting Two-stage Mast Hydraulic System

No.	Art No.	Description	Qty.	Note
1	535998510000	Pump assembly	1	
2	951100200001	Vent plug	1	M18x1.5
3	950400300005	Joint (Straight)	1	
4	201027520002	Hydraulic pipe assembly (90°)	1	
5	950400500001	Joint (Straight)	1	
6	535924010003	Hydraulic pipe	1	
7	950400900002	Joint (Steering T)	1	
8	950400400003	Joint (Straight)	3	
9	950600300001	Safety valve	2	
10	535624010002	Hydraulic pipe	1	
11	951000100001	Rubber clip, YGE	2	12
12	910200200032	Screw	2	M6x10
13	910200200097	Screw	4	M12x25
14	534744520015	Pad	2	
15	534744010006	Cylinder	2	3600
	534744010007	Cylinder	2	3200
	534744010008	Cylinder	2	2900
16	910400500008	Spring washer	2	12

Fig. 25 Full free lifting three-stage mast external cylinder components

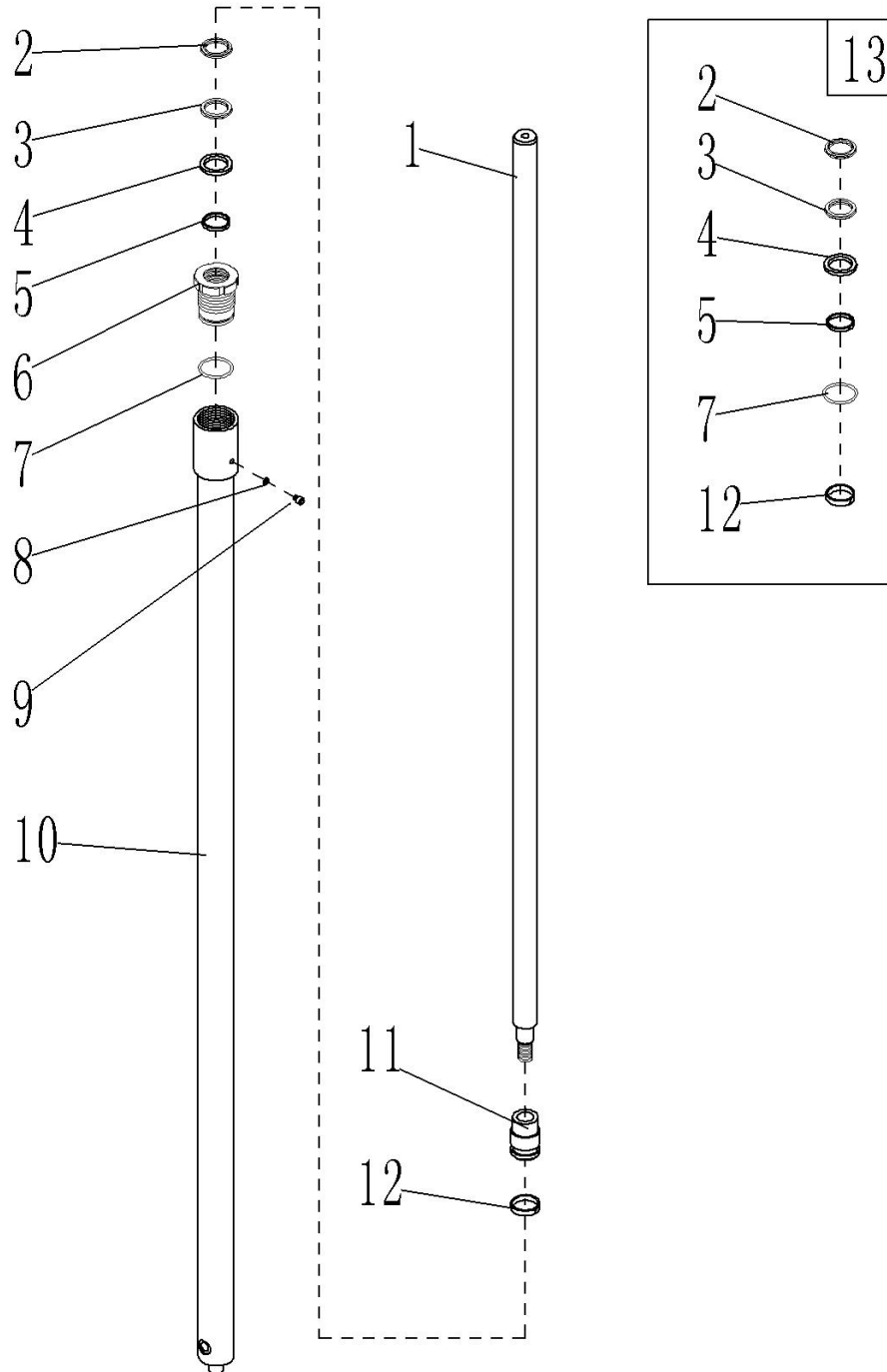


Fig. 25 Full Free Lifting Three-stage Mast External Cylinder Components

No.	Art No.	Description	Qty.	Note
1	534798520022	Piston rod	1	5500
	534798520000	Piston rod	1	5300
	534798520001	Piston rod	1	4600
	534798520002	Piston rod	1	4300
	534798520003	Piston rod	1	4000
	534798520057	Piston rod	1	3400
2	534798520004	Dust ring	1	
3	534798520005	Sealing ring	1	
4	534798520006	Sealing part	1	
5	534798520007	Support ring	1	
6	534798520008	Cylinder cap	1	
7	910800100093	O Ring	1	
8	910800900010	Washer	1	8
9	910200200051	Screw	1	M8x10
10	534798520023	Cylinder tube	1	5500
	534798520009	Cylinder tube	1	5300
	534798520010	Cylinder tube	1	4600
	534798520011	Cylinder tube	1	4300
	534798520012	Cylinder tube	1	4000
	534798520058	Cylinder tube	1	3400
11	534798520013	Piston	1	
12	533298520004	Support ring	1	
13	534798510000	Sealing components	1	

Fig. 26 Full free lifting three-stage mast middle cylinder components

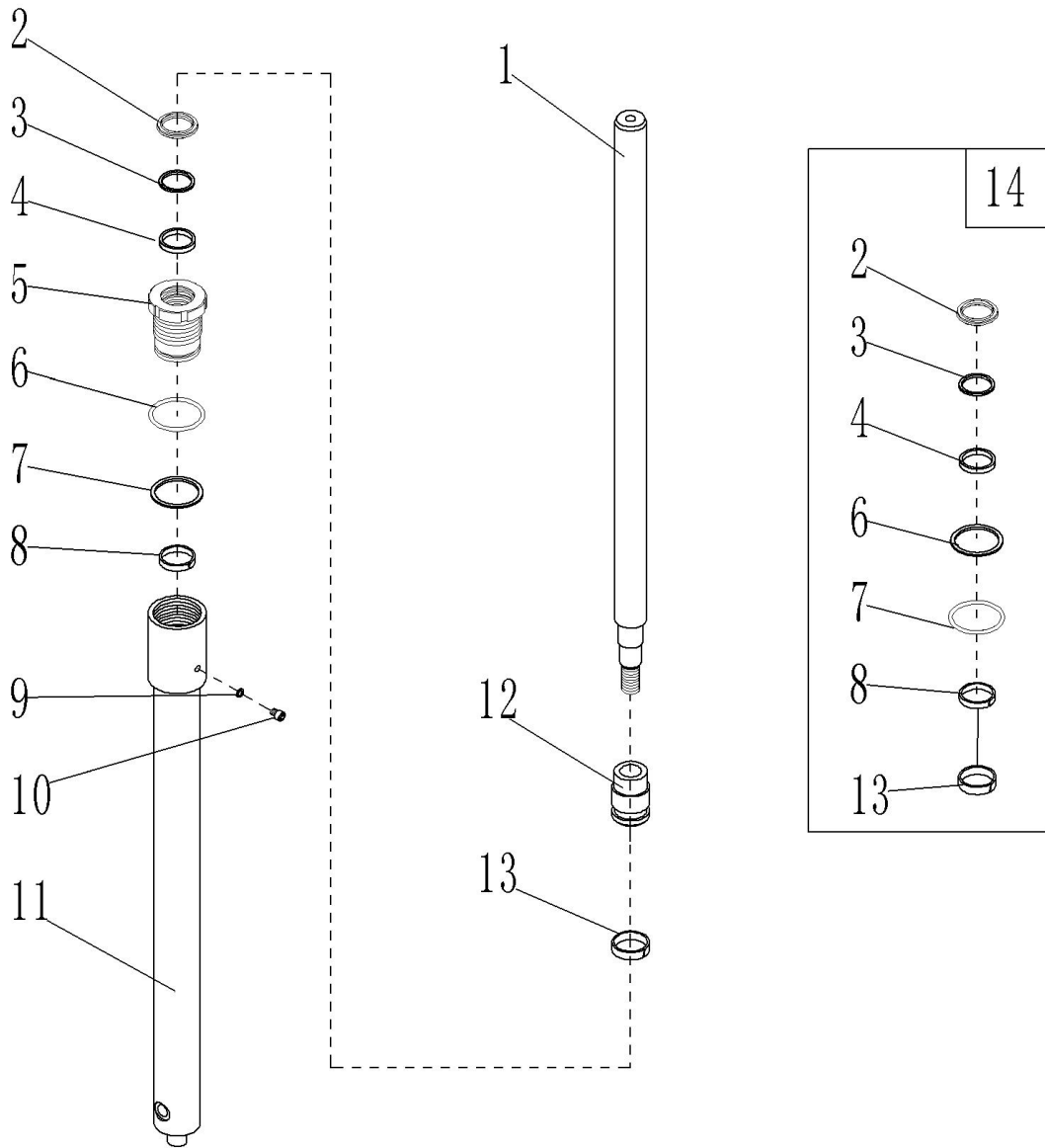


Fig. 26 Full Free Lifting Three-stage Mast Middle Cylinder Components

No.	Art No.	Description	Qty.	Note
1	534798520053	Piston rod	1	5500
	534798520016	Piston rod	1	5300
	534798520014	Piston rod	1	4600
	534798520015	Piston rod	1	4300
	534798520017	Piston rod	1	4000
	534798520073	Piston rod	1	3400
2	534798520042	Dust ring	1	
3	534798520063	Ring	1	
4	534798520064	Sealing ring	1	
5	534798520065	End cap	1	
6	534498520021	O Ring	1	
7	534798520066	Ring	1	
8	534798520067	Support ring	1	
9	910800900010	Washer	1	8
10	910200200051	Screw	1	M8x10
11	534798520054	Cylinder tube	1	5500
	534798520020	Cylinder tube	1	5300
	534798520018	Cylinder tube	1	4600
	534798520019	Cylinder tube	1	4300
	534798520021	Cylinder tube	1	4000
	534798520074	Cylinder tube	1	3400
12	534798520071	Piston	1	
13	534798520072	Support ring	1	
14	534798510001	Sealing components	1	

Fig. 27 Standard lifting three-stage mast external cylinder components

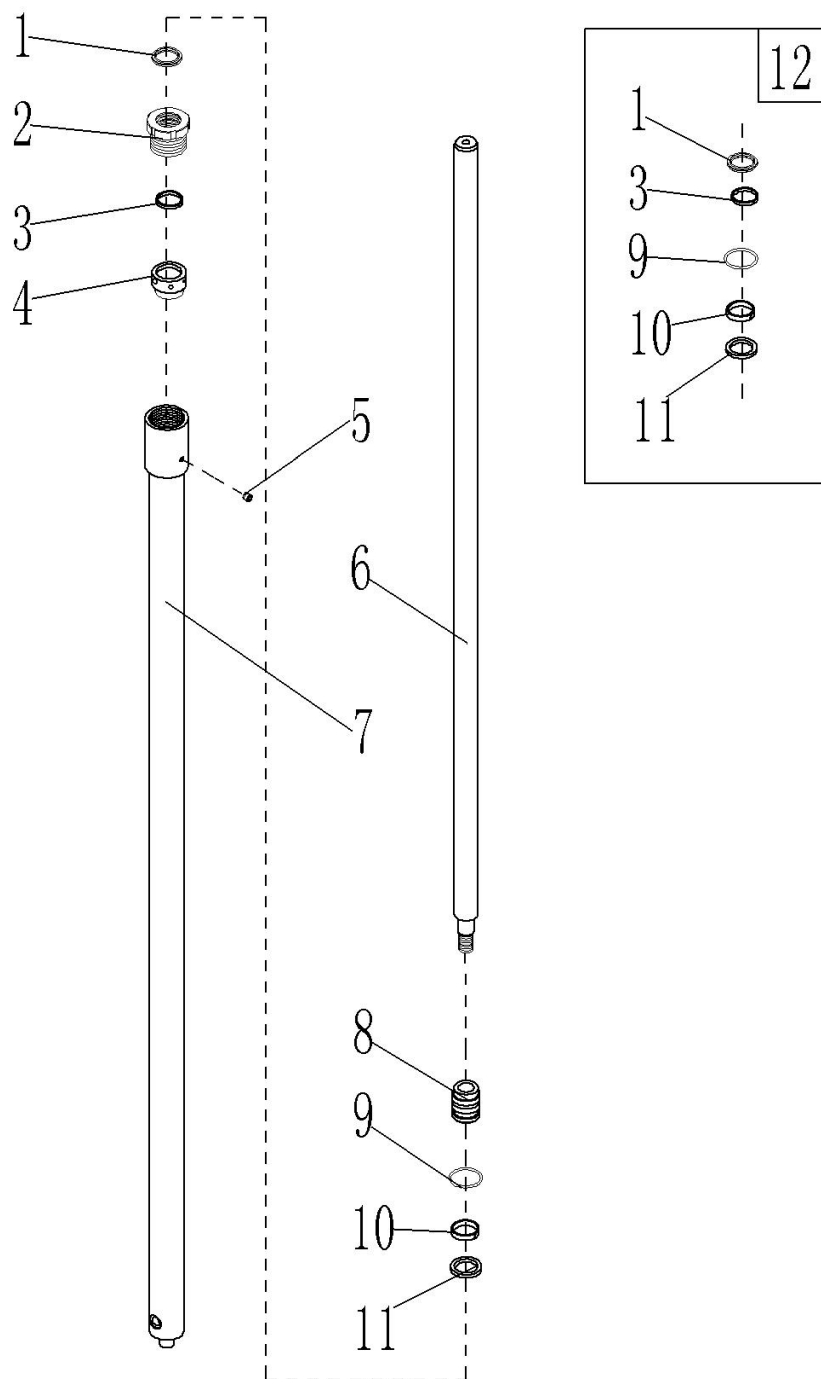


Fig. 27 Standard Lifting Three-stage Mast External Cylinder components

No.	Art No.	Description	Qty.	Note
1	910800400002	Dust ring	1	
2	533598520005	Nut	1	
3	535098520016	Support ring	1	
4	533598520006	Spacer bushing	1	
5	534798520056	Screw	1	Rc1/8
6	534798520081	Piston rod	1	4600
	534798520080	Piston rod	1	4300
7	534798520043	Cylinder tube	1	4600
	534798520044	Cylinder tube	1	4300
8	534798520045	Piston	1	
9	910800100050	O Ring	1	
10	535098520029	Support ring	1	
11	535398520005	Sealing ring	1	
12	534798510004	Sealing components	1	

Fig. 28 Full free lifting two-stage mast external cylinder components

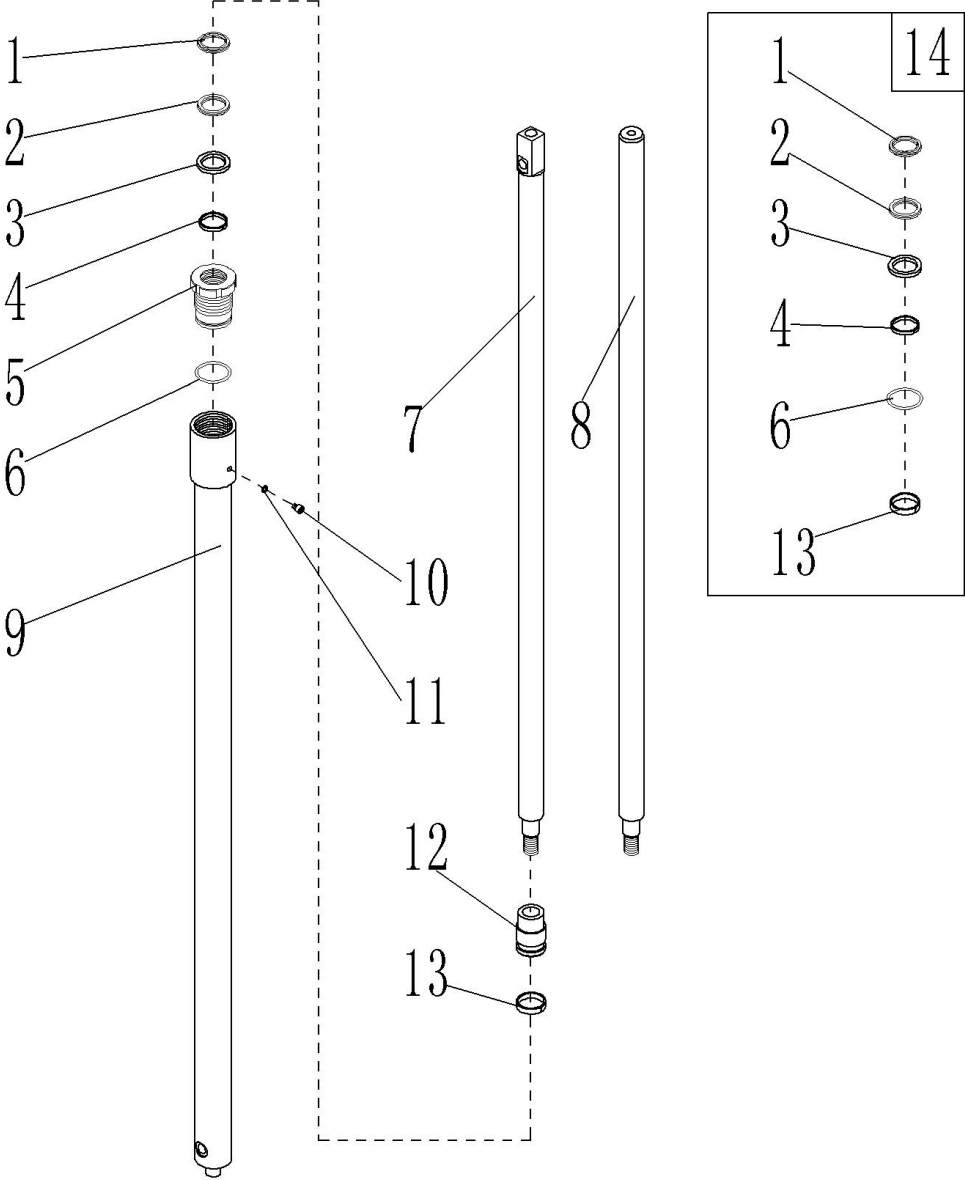


Fig. 28 Full Free Lifting Two-stage Mast External Cylinder Components

No.	Art No.	Description	Qty.	Note
1	534798520027	Dust ring	1	
2	534798520028	Sealing ring	1	
3	534798520029	Sealing part	1	
4	534798520030	Support ring	1	
5	534798520031	Cylinder cap	1	
6	910800100093	O Ring	1	
7	534798520032	Piston rod	1	3600 Left Cylinder
	534798520033	Piston rod	1	3200 Left Cylinder
	534798520034	Piston rod	1	2900 Left Cylinder
8	534798520035	Piston rod	1	3600 Right Cylinder
	534798520036	Piston rod	1	3200 Right Cylinder
	534798520037	Piston rod	1	2900 Right Cylinder
9	534798520038	Cylinder tube	1	3600
	534798520039	Cylinder tube	1	3200
	534798520040	Cylinder tube	1	2900
10	910800900010	Washer	1	8
11	910200200051	Screw	1	M8x10
12	534798520041	Piston	1	
13	533298520004	Support ring	1	
14	534798510002	Sealing components	1	

Fig. 29 Full free lifting two-stage mast middle cylinder components

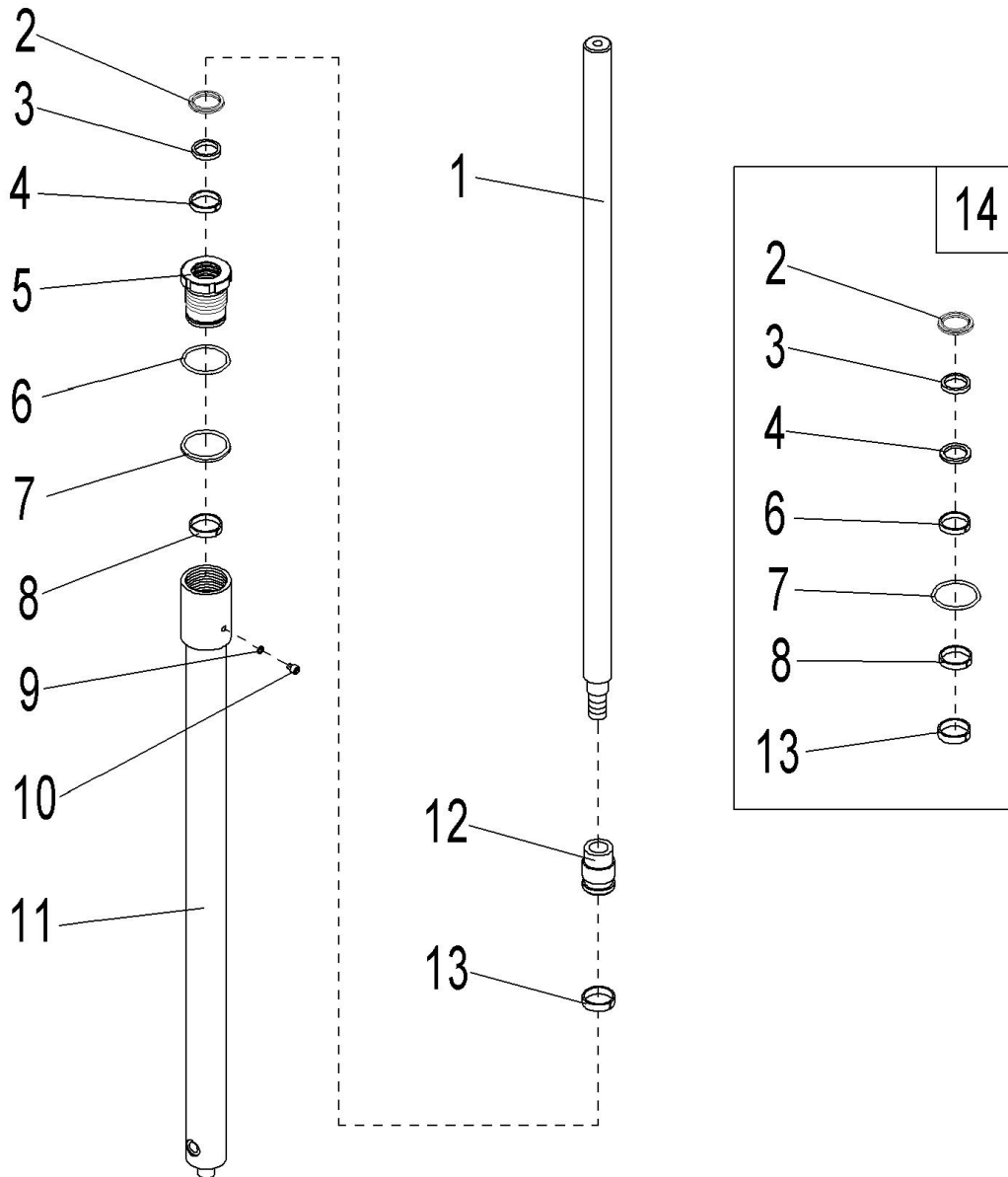


Fig. 29 Full Free Lifting Two-stage Mast Middle Cylinder Components

No.	Art No.	Description	Qty.	Note
1	534798520059	Piston rod	1	3600
	534798520060	Piston rod	1	3200
	534798520061	Piston rod	1	2900
2	534798520042	Dust ring	1	
3	534798520063	Ring	1	
4	534798520064	Sealing ring	1	
5	534798520065	End cap	1	
6	534498520021	O Ring	1	
7	534798520066	Ring	1	
8	534798520067	Support ring	1	
9	910800900010	Washer	1	8
10	910200200051	Screw	1	M8x10
11	534798520068	Cylinder tube	1	3600
	534798520069	Cylinder tube	1	3200
	534798520070	Cylinder tube	1	2900
12	534798520071	Piston	1	
13	534798520072	Support ring	1	
14	534798510003	Sealing components	1	

Fig. 30 Standard lifting two-stage mast external cylinder components

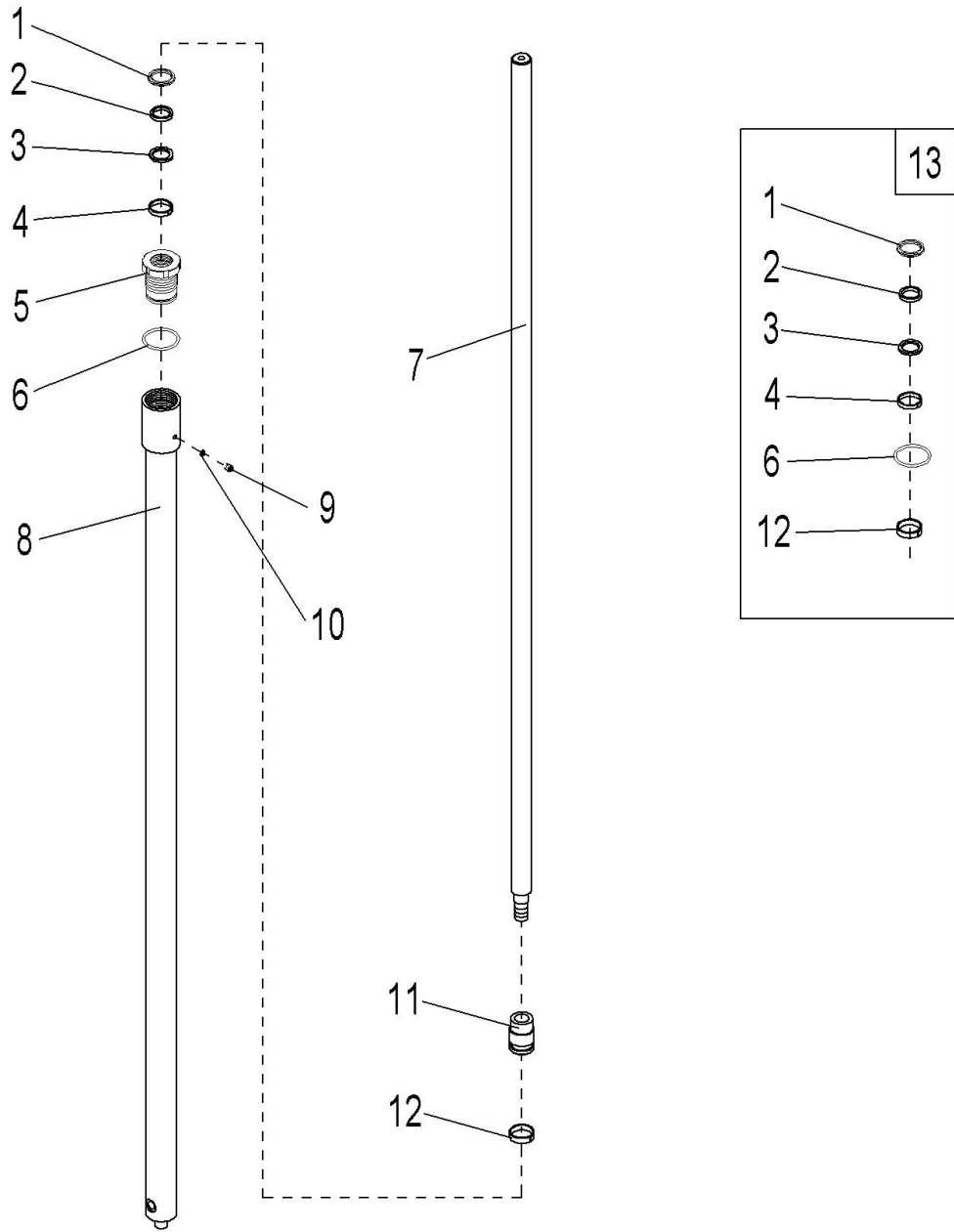


Fig. 30 Standard Lifting Two-stage Mast External Cylinder Components

No.	Art No.	Description	Qty.	Note
1	910800400002	Dust ring	1	
2	535398520002	Sealing ring	1	
3	535098520017	Sealing part	1	
4	535398520003	Support ring	1	
5	534798520046	Cylinder cap	1	
6	910800100093	O Ring	1	
7	534798520047	Piston rod	1	3600
	534798520048	Piston rod	1	3200
	534798520049	Piston rod	1	2900
8	534798520050	Cylinder tube	1	3600
	534798520051	Cylinder tube	1	3200
	534798520052	Cylinder tube	1	2900
9	910200200051	Screw	1	M8x10
10	910800900010	Washer	1	8
11	534798520041	Piston	1	
12	533298520004	Support ring	1	
13	534798510005	Sealing components	1	

Fig. 31 Manual steering components

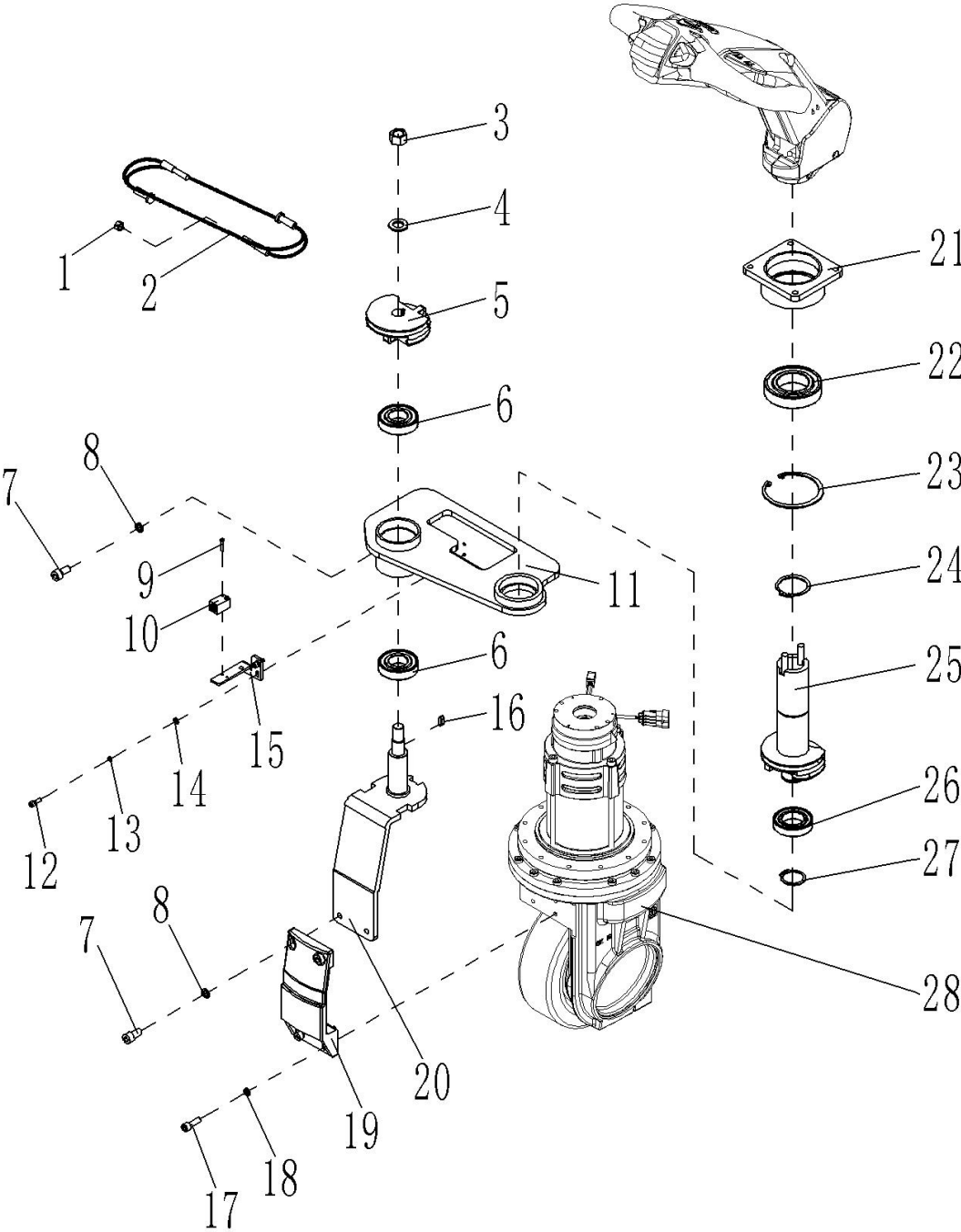


Fig. 31 Manual Steering Components

No.	Art No.	Description	Qty.	Note
1	910300100006	Nut	4	M8
2	535931210003	Steel rope components	2	
3	910300100010	Nut	1	M16
4	910400100010	Flat washer	1	16
5	535931220002	Rotate plate	1	
6	910700200021	Bearing	2	6206
7	910200200075	Screw	10	M10x20
8	910400500007	Spring washer	10	10
9	910200500015	Screw	2	M3x20
10	505633510000	Proximity switch	1	370mm
11	535931210002	Bearing base welding	1	
12	910200200023	Screw	6	M5x16
13	910400500004	Spring washer	6	5
14	910400100004	Flat washer	4	5
15	535931220004	Mounting plate	1	
16	910600800011	Flat key	1	6x16
17	910200200058	Screw	4	M8x25
18	910400500006	Spring washer	8	8
19	535931220001	Connecting base	1	
20	535931210001	Connecting plate welding	1	
21	535931210004	Fixing base welding	1	
22	910700200025	Bearing	2	6210
23	910401400024	Elastic ring	2	90
24	910401300024	Elastic ring	1	50
25	535931210005	Tiller arm welding	1	
26	910700200007	Bearing	1	6007
27	910401300018	Elastic ring	1	35
28	535913501001	Driving assembly (Manual steering)	1	

Fig. 32 Driving assembly (Manual steering)

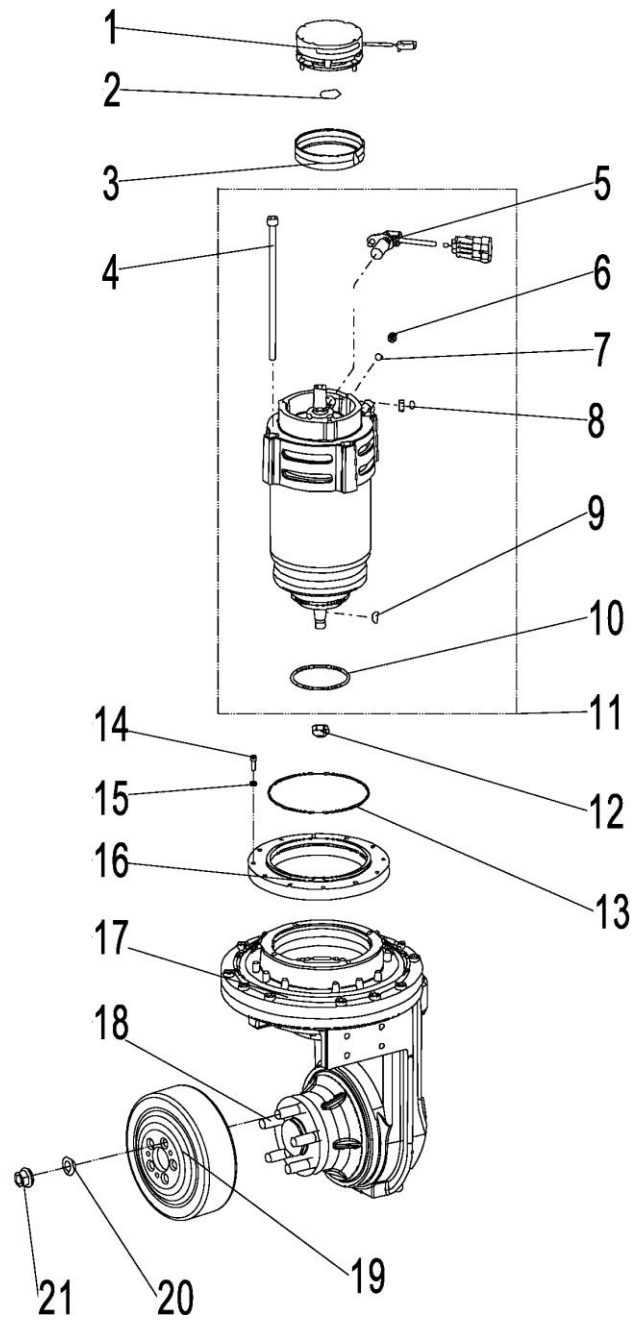


Fig. 32 Driving assembly (Manual steering)

No.	Art No.	Description	Qty.	Note
1	535998510001	Brake	1	
2	535998520000	Retaining ring	1	15
3	535998520001	Gasket	1	
4	535998520002	Cap screw	4	M8x175
5	535998510002	Sensor	1	
6	535998520003	Hexagon nut	1	M6x8
7	535998520004	Safety element	1	
8	535998520005	Fitted key	1	5x5x14
9	535998520006	Woodruff key	1	
10	535998520007	O-ring	1	
11	535998510003	Motor	1	
12	535998520014	Antriebsritzel	1	
13	535998520008	SLOTTED NUT	1	
14	535998520009	O-ring	1	146x3
15	910200200060	Screw	9	M8x35
16	910400500006	Washer	9	8
17	535998520010	Adapter plate	1	
18	535998510004	Gearbox	1	
19	535998520011	Wheel Stud	5	
20	940300400005	Driving wheel	1	Φ 230x70
21	535998520012	Spring washer	5	
22	535998520013	Wheel nut	5	

Fig. 33 EPS components

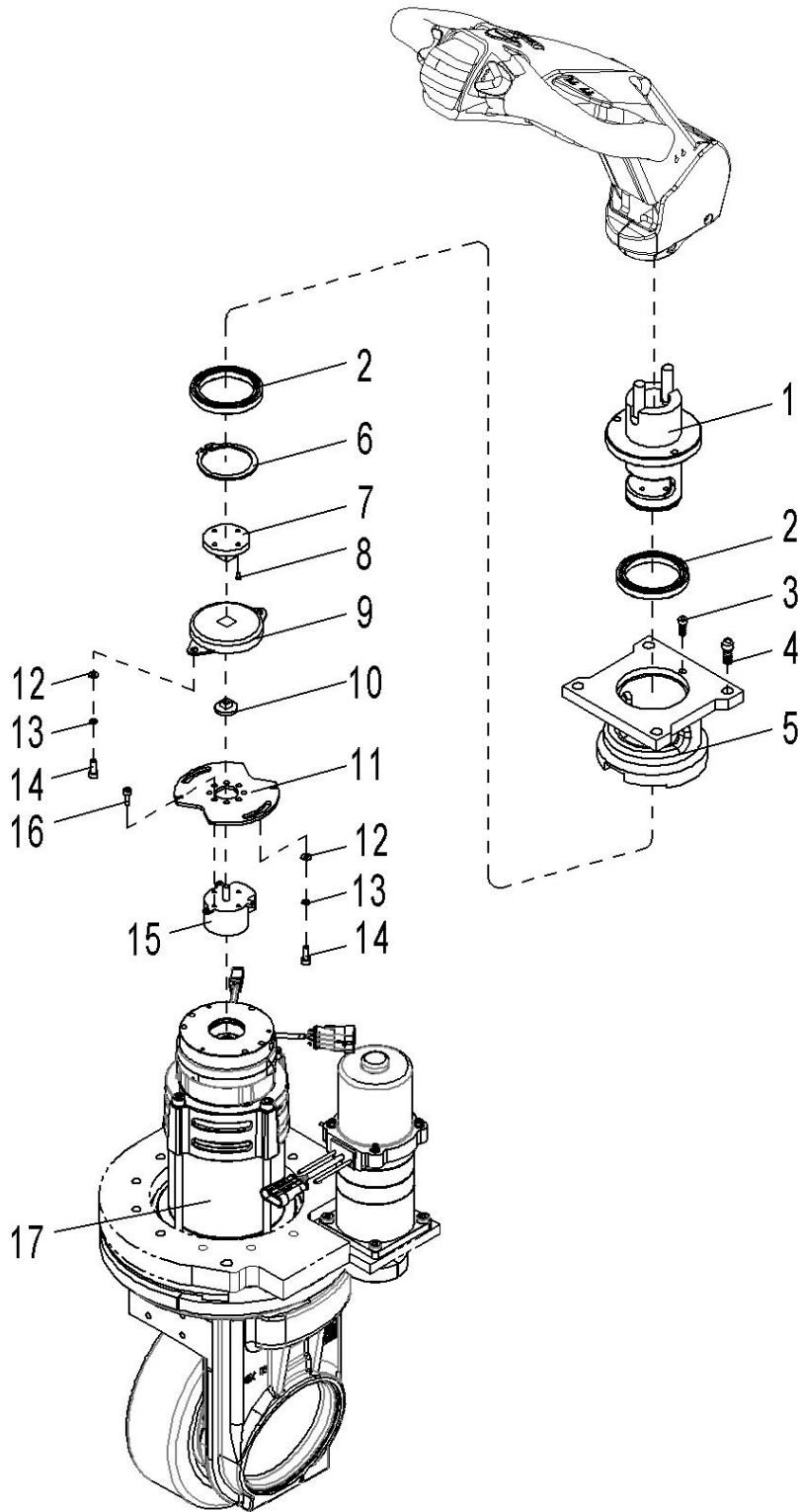


Fig. 33 EPS components

No.	Art No.	Description	Qty.	Note
1	535931510001	Axle base welding	1	
2	910700200041	Bearing	2	61810
3	910200200032	Screw	3	M6x10
4	910200200075	Screw	4	M10x20
5	505631520002	Fixing base	1	
6	910401300024	Elastic ring	1	50
7	505631520005	Connecting block	1	
8	910200200013	Screw	1	M4x10
9	940801200001	Damper	1	
10	505931520002	Connecting block	1	
11	535931520002	Mounting plate	1	
12	910400100004	Flat washer	4	5
13	910400500004	Spring washer	4	5
14	910200200021	Screw	4	M5x10
15	921800200008	Potentiometer	1	
16	910200200014	Screw	4	M4x12
17	535913501002	Driving assembly (EPS)	1	

Fig. 34 Driving assembly (EPS)

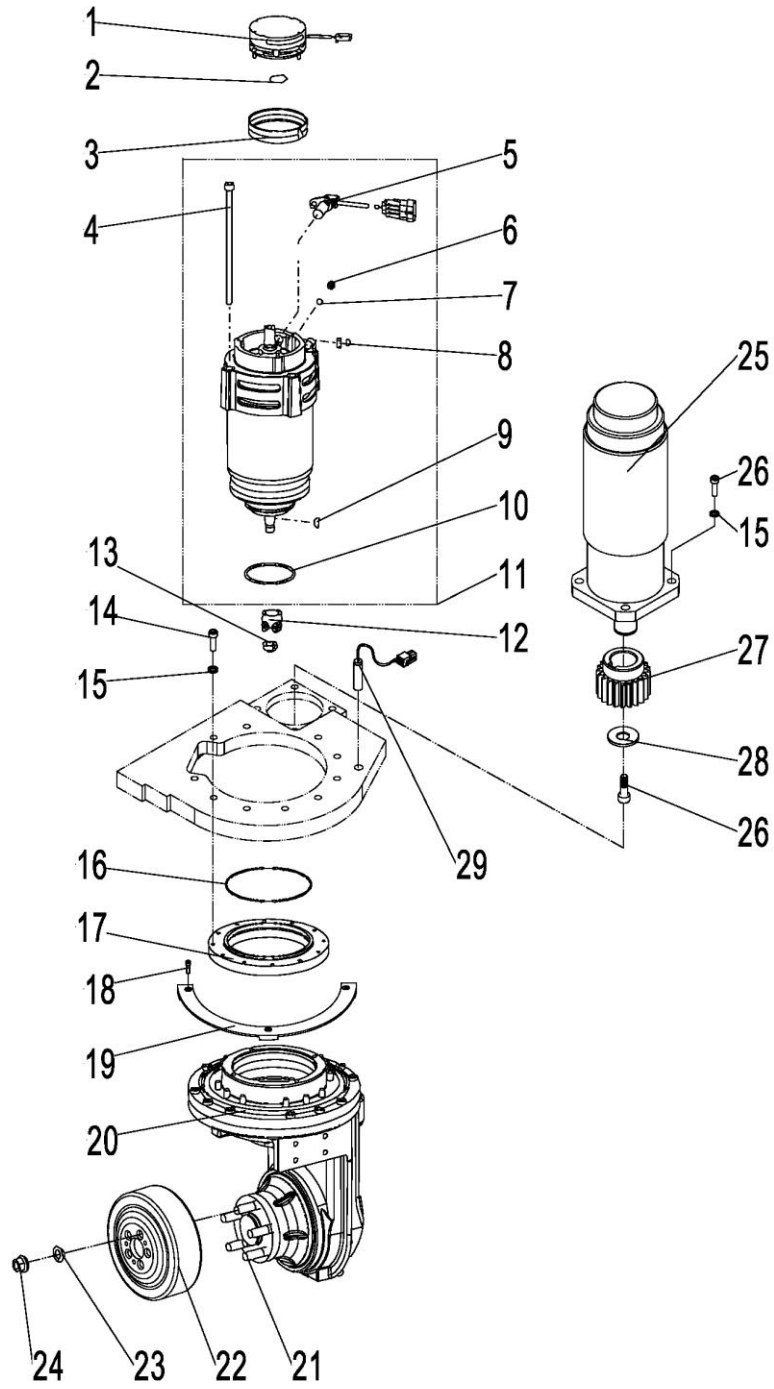


Fig. 34 Driving assembly (EPS)

No.	Art No.	Description	Qty.	Note
1	535998510001	Brake	1	
2	535998520000	Retaining ring	1	15
3	535998520001	Gasket	1	
4	535998520002	Cap screw	4	M8x175
5	535998510002	Sensor	1	
6	535998520003	Hexagon nut	1	M6x8
7	535998520004	Safety element	1	
8	535998520005	Fitted key	1	5x5x14
9	535998520006	Woodruff key	1	
10	535998520007	O ring	1	
11	535998510003	Motor	1	
12	535998520014	Antriebsritzel	1	
13	535998520008	SLOTTED NUT	1	
14	910200200060	Screw	10	M8x35
15	910400500006	Washer	14	8
16	535998520009	O ring	1	146X3
17	535998520010	Adapter plate	1	
18	535998520015	Cap screw	3	
19	535998520016	Steering limiter	1	
20	535998510005	Gearbox	1	
21	535998520011	Wheel Stud	5	
22	940300400005	Driving wheel	1	Φ 230x70
23	535998520012	Spring washer	5	
24	535998520013	Wheel nut	5	
25	920900100069	Steering motor	1	
26	910200200057	Screw	5	M8x20
27	535998520017	Steering pinion	1	Z=19
28	506713520001	End ring	1	
29	505733510001	Proximity switch	1	

Fig. 35 Load roller assembly

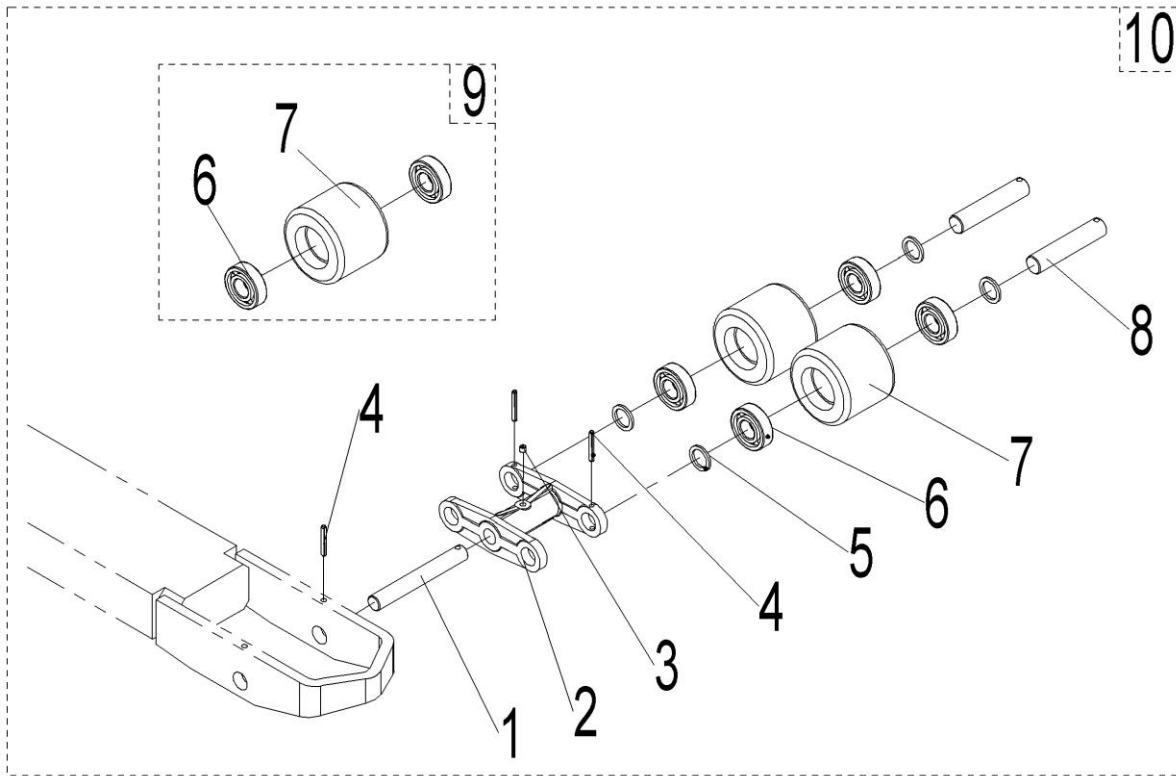


Fig. 35 Load Roller Assembly

No.	Art No.	Description	Qty.	Note
1	504117020003	Axle	2	
2	504117020004	Tandem roller frame	2	
3	911200100001	Grease nipple	1	6
4	910600400027	Dowel pin	6	5x35
5	940600500004	Washer	8	thickness 2.5
6	910700200019	Bearing	8	6204
7	940300300009	Roller	4	
8	504117020005	Axle	4	
9	532998510001	Roller set components	4	
10	532917001000	Load roller assembly	2	

Fig. 36 Tiller assembly

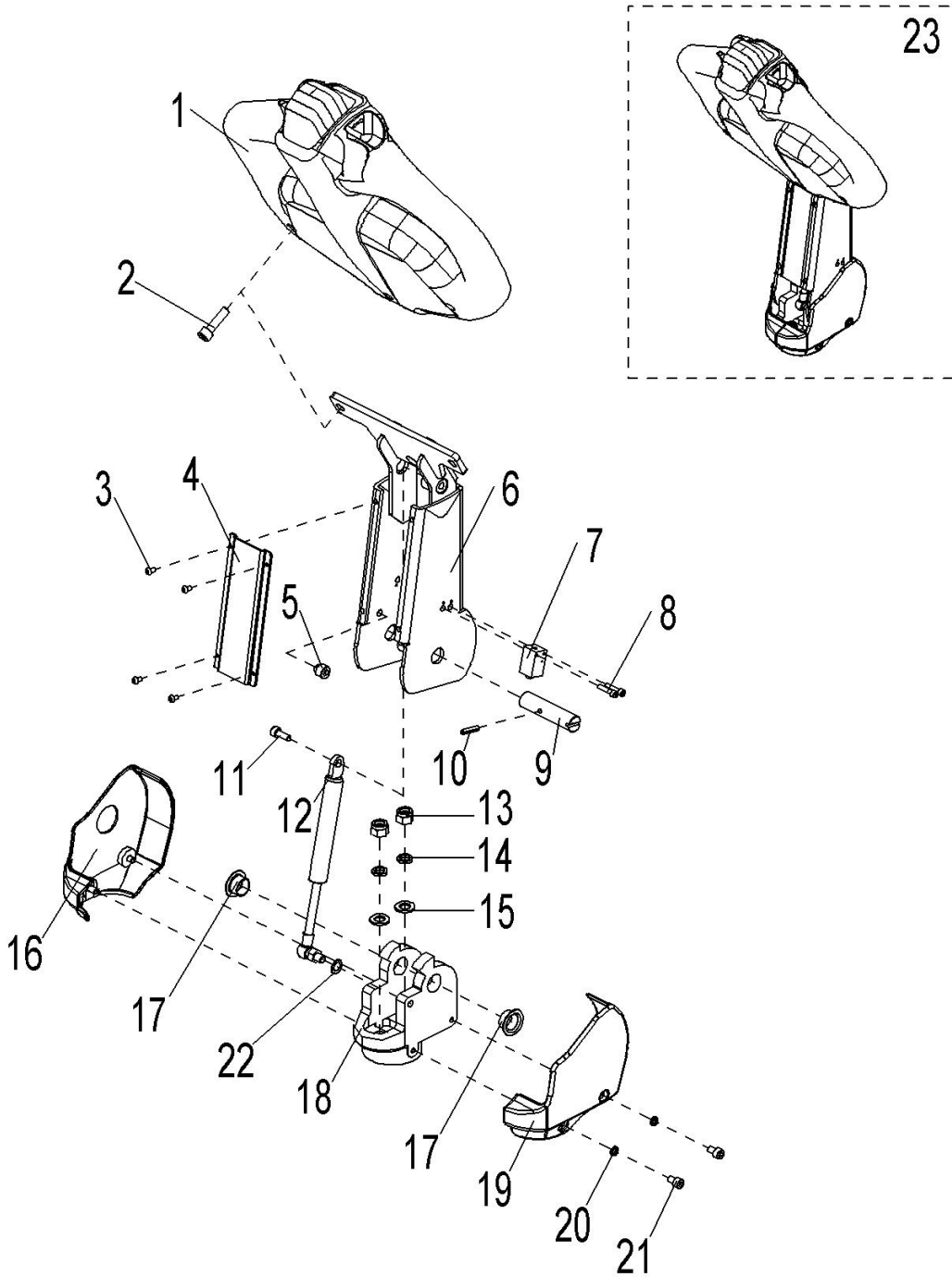


Fig. 36 Tiller Assembly

No.	Art No.	Description	Qty.	Note
1	922100100001	Tiller	1	REMA
2	910200200058	Screw	2	M8x25
3	910200300005	Screw	4	M4x8
4	535911020003	Plate	1	
5	505611020007	Limit screw	1	M8x5
6	535911010000	Tiller welding	1	
7	506733510002	Proximity switch	1	280mm
8	910200500015	Screw	2	M3x20
9	505611020008	Axle	1	
10	910600400013	Dowel pin	1	4x24
11	910200200057	Screw	1	M8x20
12	940400100001	Air spring	1	330N
13	910300500005	Nut	2	M10
14	910400500007	Spring washer	2	10
15	910400100007	Flat washer	2	10
16	535911020005	Protective cover	1	
17	940500200002	Bushing	2	
18	535911020004	Tiller base	1	
19	535911020006	Protective cover	1	
20	910400500005	Spring washer	2	6
21	910200300016	Screw	2	M6x10
22	910400100006	Flat washer	1	8
23	535911001000	Tiller assembly	1	

Fig. 37 Pump assembly

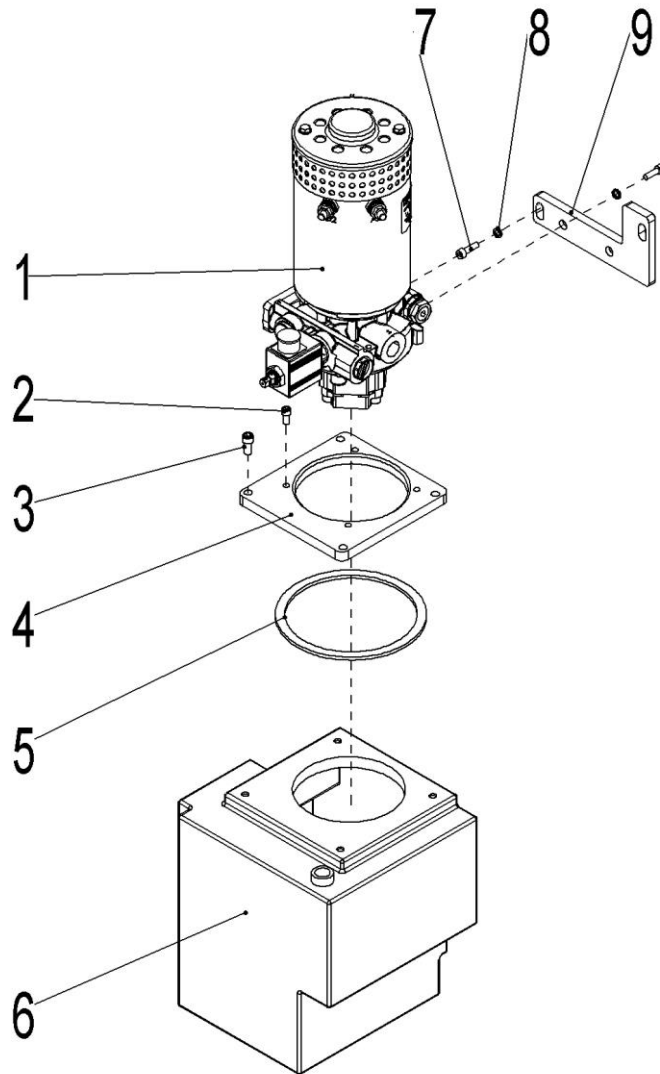


Fig. 37 Pump Assembly

No.	Art No.	Description	Qty.	Note
1	950900100015	Hydraulic power unit	1	24V3.2KW4.0cc
2	910200200034	Screw	4	M6x14
3	910200200057	Screw	4	M8x20
4	535919020005	Mounting plate	1	
5	535919020003	Sealing pad	1	
6	535919020001	Plastic oil tank	1	
7	910200200074	Screw	4	M10x16
8	910400500007	Spring washer	4	10
9	535924020001	Mounting plate	1	

Fig. 38 Hydraulic power unit

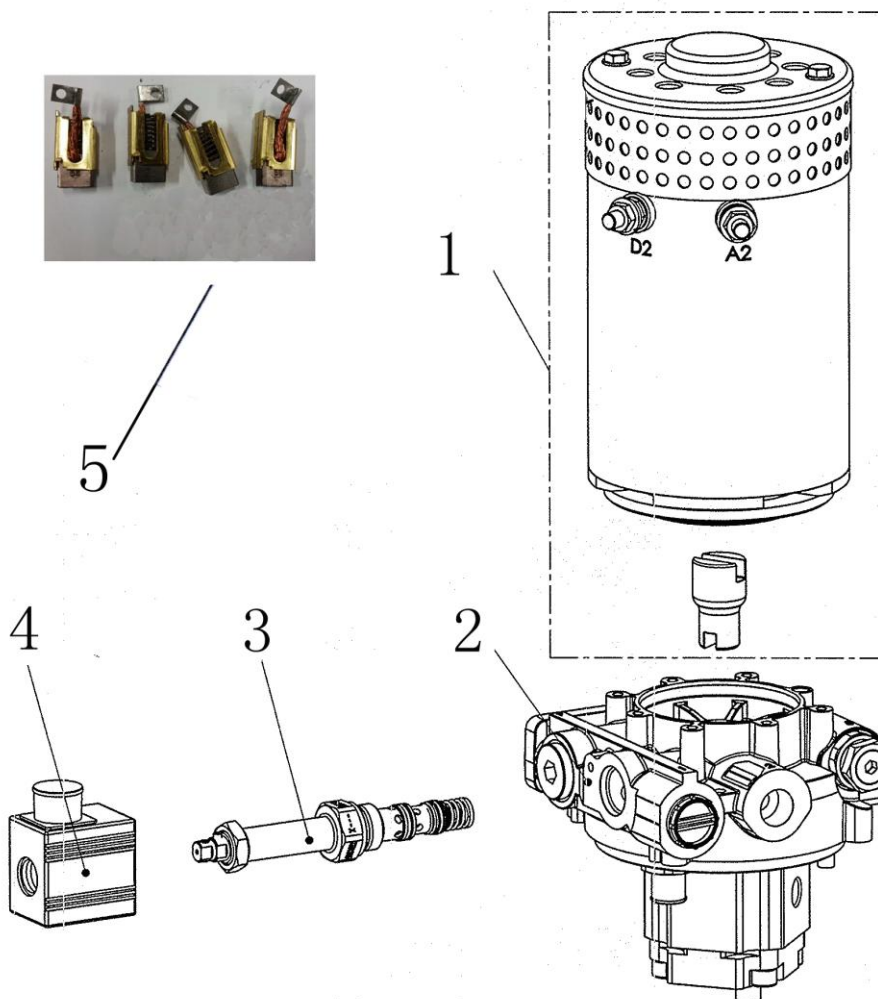


Fig. 38 Hydraulic Power Unit

No.	Art No.	Description	Qty.	Note
1	534798510006	Motor	1	3.2KW
2	534798510007	Centre vavle	1	
3	534798520024	Electromagnetic valve core	1	
4	534798520025	Coil	1	
5	534798520026	Carbon brush	1	

Fig. 39 Main circuit wiring harness (Manual steering)

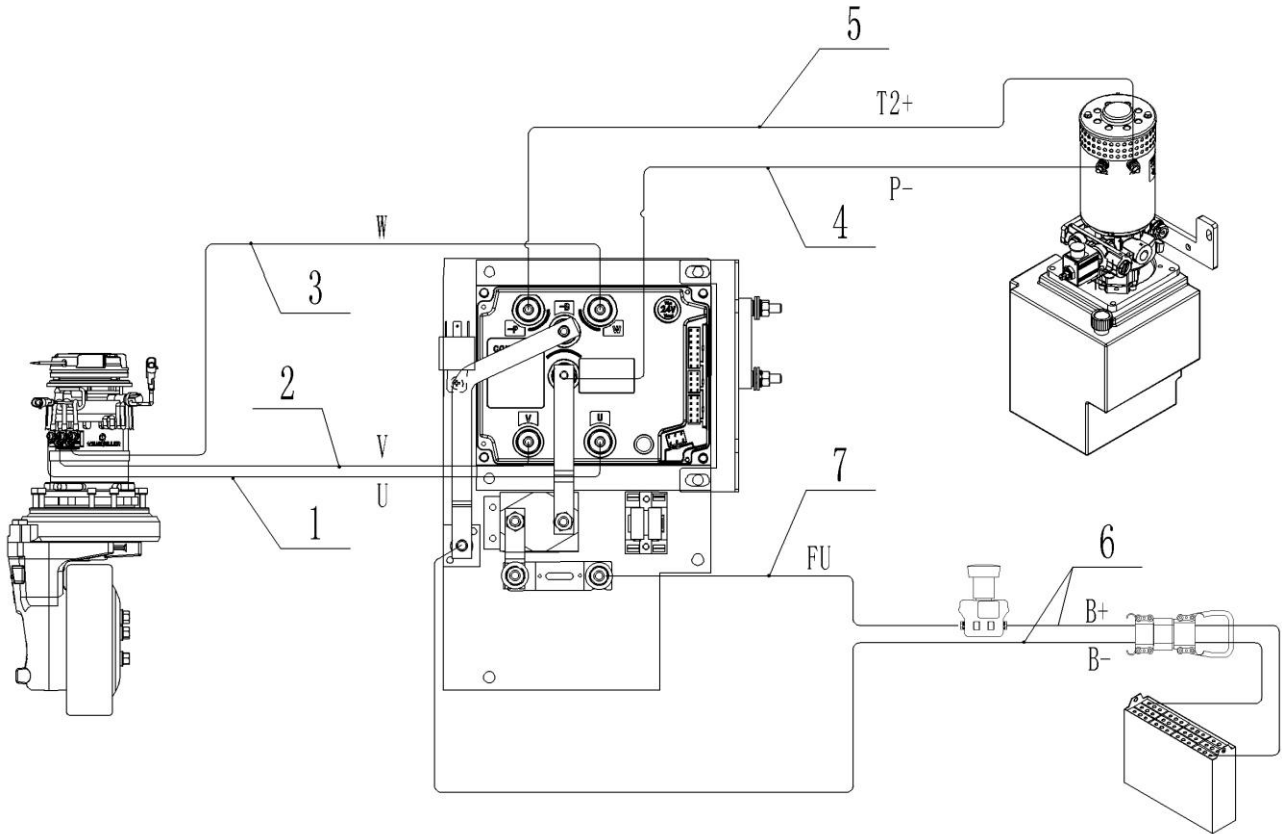


Fig. 39 Main Circuit Wiring Harness (Manual steering)

No.	Art No.	Description	Qty.	Note
1	535933010003	Cable	1	U
2	535933010004	Cable	1	V
3	535933010005	Cable	1	W
4	535933010006	Cable	1	P-
5	535933010007	Cable	1	T2+
6	535933010008	Main power supply wiring harness	1	
7	535933010009	Cable	1	FU+

Fig. 40 Main circuit wiring harness (EPS)

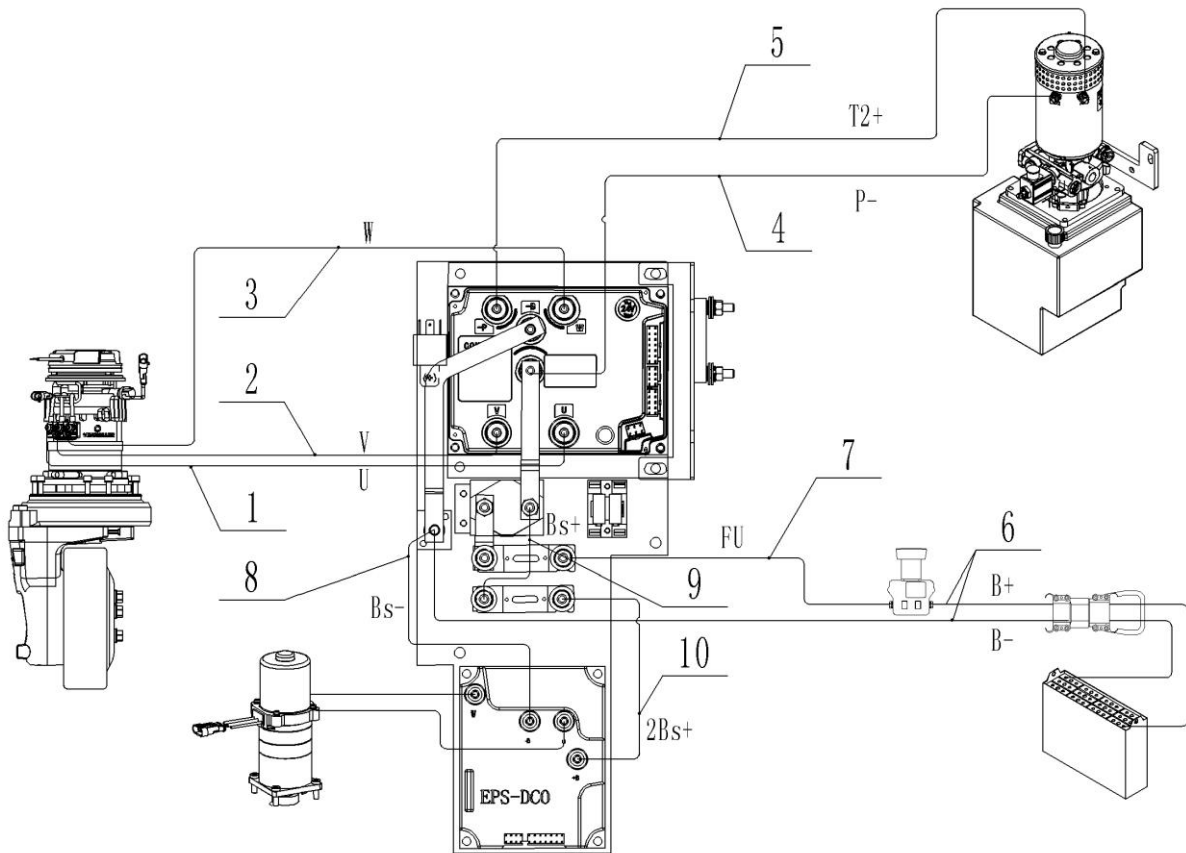


Fig. 40 Main Circuit Wiring Harness (EPS)

No.	Art No.	Description	Qty.	Note
1	535933010003	Cable	1	U
2	535933010004	Cable	1	V
3	535933010005	Cable	1	W
4	535933010006	Cable	1	P-
5	535933010007	Cable	1	T2+
6	535933010008	Main power supply wiring harness	1	
7	535933010009	Cable	1	FU+
8	535933010016	Connecting cable	1	Bs-
9	535933010014	Connecting cable	1	Bs+
10	535933010015	Connecting cable	1	2Bs+

Fig. 41 Electrical parts

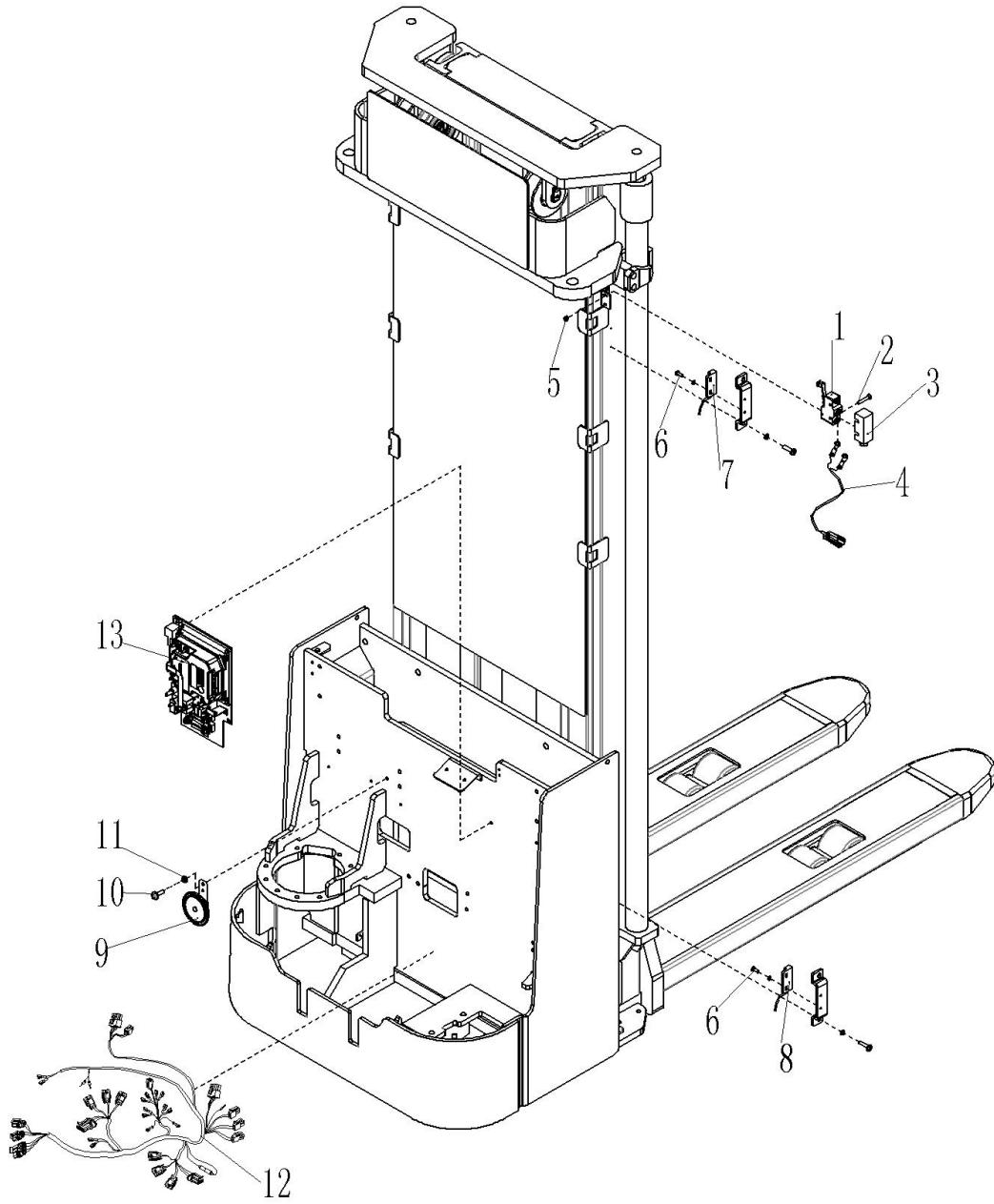


Fig. 41 Electrical Parts

No.	Art No.	Description	Qty.	Note
1	920200300001	Micro switch	1	XZ-15GW22-B
2	910200400006	Screw	2	M4x25
3	920200300008	Micro switch protective cover	1	
4	535933510011	Limit control wiring harness (2850mm)	1	5500
	535933510010	Limit control wiring harness (2750mm)	1	5300/3600
	535933510008	Limit control wiring harness (2550mm)	1	4600/3200
	535933510007	Limit control wiring harness (2400mm)	1	4300/4000/2900
5	910300500001	Nut	2	M4
6	910200500010	Screw	4	M3x8
7	535933510017	Magnetic switch, HWK23(2600mm)	1	5500
	535933510016	Magnetic switch, HWK23(2500mm)	1	5300/3600
	535933510014	Magnetic switch, HWK23(2300mm)	1	4600/3200
	535933510013	Magnetic switch, HWK23(2200mm)	1	4300/2900
	535933510012	Magnetic switch, HWK23(2100mm)	1	4000
8	535933510005	Magnetic switch, HWK23(1200mm)	1	
9	920500100001	Horn	1	DC24V
10	910200200053	Screw	1	M8x12
11	910400500006	Spring washer	1	8
12	535933010000	Main control wiring harness (COMBIACX)	1	Manual steering
	535933010001	Main control wiring harness (COMBIACX+EPSC0)	1	EPS
13	535933010010	Electrical control components (COMBIACX)	1	Manual steering
	535933010011	Electrical control components (COMBIACX+EPSC0)	1	EPS

Fig. 42 Electrical control components (COMBIACX)

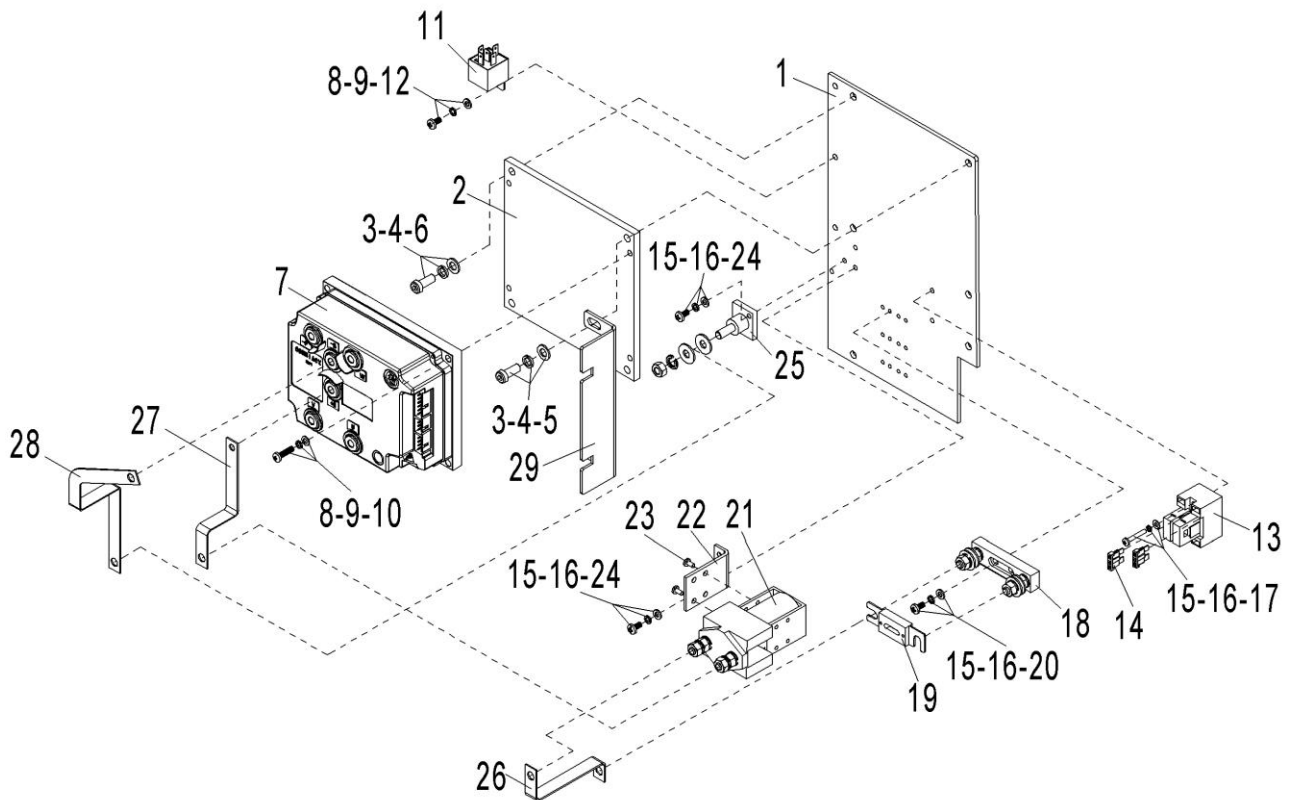


Fig. 42 Electrical Control Components (COMBIACX)

No.	Art No.	Description	Qty.	Note
1	535933020001	Mounting plate	1	Manual steering
2	534733020000	Aluminium	1	COMBIACX
3	910400100006	Flat washer	2	8
4	910400500006	Spring washer	2	8
5	941100400001	Screw	1	M8x20
6	910200200055	Screw	1	M8x16
7	921400100048	Controller	1	
8	910400100004	Flat washer	5	5
9	910400500004	Spring washer	5	5
10	910200200023	Screw	4	M5x16
11	920800100001	Relay	1	
12	910200500036	Screw	1	M5x8
13	920100400005	Fuse base	1	2x10A
14	920100200002	Fuse	2	10A
15	910400100003	Flat washer	12	4
16	910400500003	Spring washer	12	4
17	910200500028	Screw	2	M4x30
18	920100400002	Fuse base	1	SYF
19	920100100013	Fuse	1	350A
20	910200500024	Screw	4	M4x16
21	920700100002	Contactor	1	
22	921300400004	Main Contactor fixing part	1	
23	910200600005	Screw	2	M4x8
24	910200500034	Screw	6	M4x8
25	920100400001	Fuse base	1	M8
26	535933020003	Copper bar	1	
27	535933020004	Copper bar	1	
28	506733020006	Copper bar	1	
29	535921520033	Fixing plate	1	

Fig. 43 Electrical control components (COMBIACX+EPSDC0)

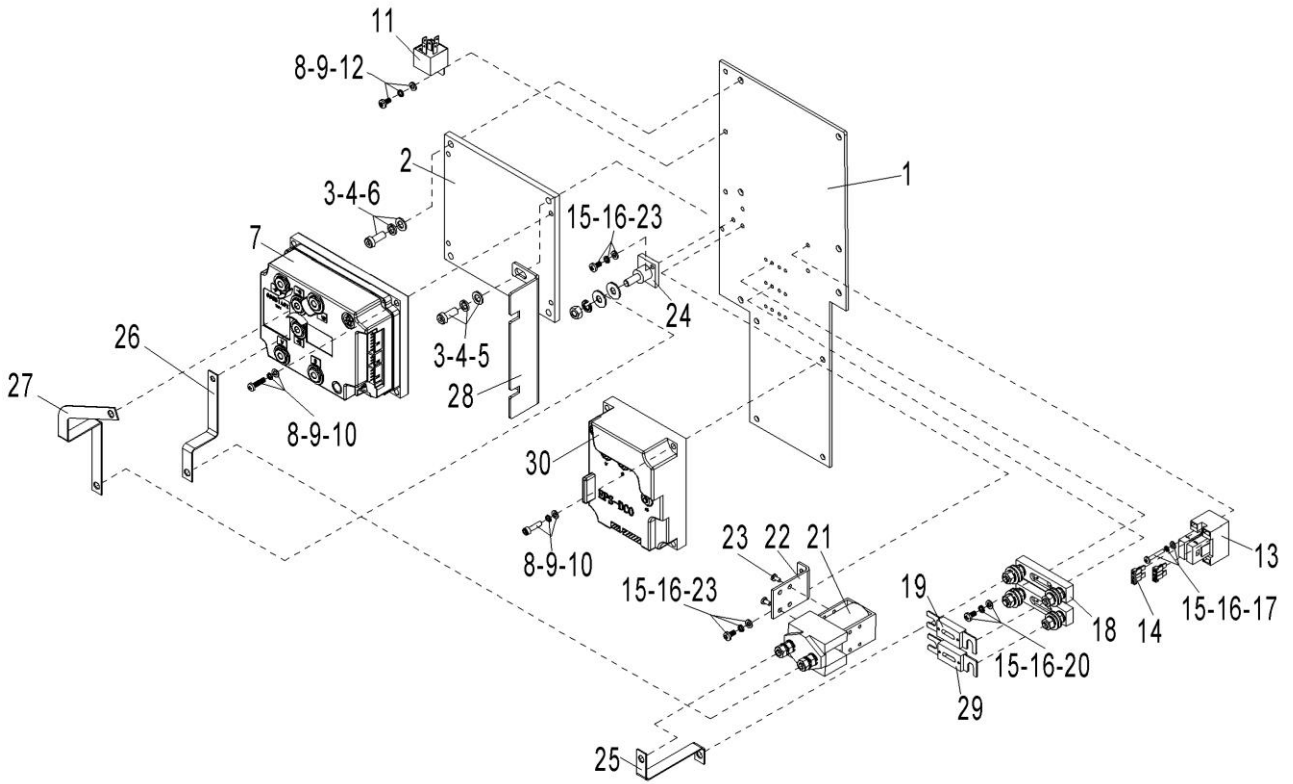


Fig. 43 Electrical Control Components (COMBIACX+EPSC0)

No.	Art No.	Description	Qty.	Note
1	535933020002	Mounting plate	1	EPS
2	534733020000	Aluminium	1	COMBIACX
3	910400100006	Flat washer	2	8
4	910400500006	Spring washer	2	8
5	941100400001	Screw	1	M8x20
6	910200200055	Screw	1	M8x16
7	921400100048	Controller	1	
8	910400100004	Flat washer	9	5
9	910400500004	Spring washer	9	5
10	910200500040	Screw	8	M5x16
11	920800100001	Relay	1	
12	910200500036	Screw	1	M5x8
13	920100400005	Fuse base	1	2x10A
14	920100200002	Fuse	2	10A
15	910400100003	Flat washer	14	4
16	910400500003	Spring washer	14	4
17	910200500027	Screw	2	M4x25
18	920100400002	Fuse base	2	SY
19	920100100013	Fuse	1	350A
20	910200500024	Screw	6	M4x16
21	920700100002	Contacteur	1	
22	921300400004	Main contacteur fixing part	1	
23	910200500034	Screw	6	M4x8
24	920100400001	Fuse base	1	M8
25	535933020003	Copper bar	1	
26	535933020004	Copper bar	1	
27	506733020006	Copper bar	1	
28	535921520033	Fixing plate	1	
29	920100100001	Fuse	1	30A
30	921400100030	Controller	1	

Fig. 44 Load backrest

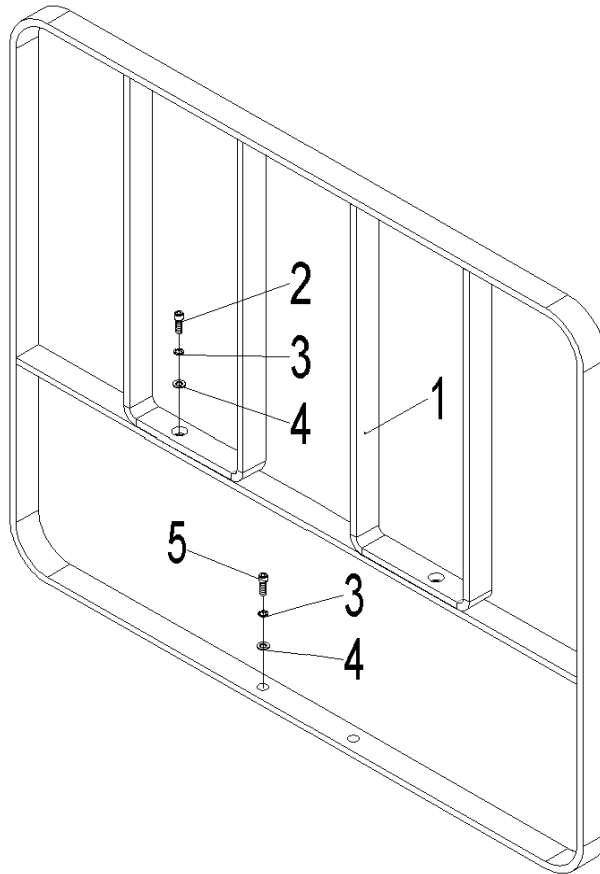


Fig. 44 Load Backrest

No.	Art No.	Description	Qty.	Note
1	532640510001	Load backrest welding	1	
2	910200200076	Screw	2	M10x25
3	910400100007	Flat washer	4	10
4	910400500007	Spring washer	4	10
5	910200200078	Screw	2	M10x35

Easy worn parts list

No.	Art No.	Description	Qty.	Fig./Position	Note
1	940400100037	Air spring	2	Fig. 7/2	Protective arm components
2	940500200003	Bushing	2	Fig. 7/7	
3	505633510002	Proximity switch	2	Fig. 7/16	Protective arm components
			1	Fig. 10/15	Panel components
4	940500200008	Bushing	2	Fig. 10/3	Panel components
5	940400100038	Air spring	1	Fig. 10/12	
6	535918020018	PU bushing	2	Fig. 10/21	
7	910700400004	Bearing	2	Fig. 11/3	Roller components
8	910700200019	Bearing	2	Fig. 11/11	Roller components
			8	Fig. 35/6	Load roller assembly
9	940300300020	Roller	1	Fig. 11/12	Roller components
10	534798520004	Dust ring	1	Fig. 25/2	three-stage mast full-free external cylinder components
11	534798520005	Sealing ring	1	Fig. 25/3	
12	534798520006	Sealing part	1	Fig. 25/4	
13	910800100093	O RING	1	Fig. 25/7	three-stage mast full-free external cylinder components
			1	Fig. 28/6	two-stage mast full-free external cylinder components
			1	Fig. 30/6	two-stage mast standard external cylinder components
14	533298520004	Support ring	1	Fig. 25/12	three-stage mast full-free external cylinder components
			1	Fig. 28/13	three-stage mast full-free external cylinder components
			1	Fig. 30/12	two-stage mast standard external cylinder components
15	534798510000	Sealing components	1	Fig. 25/13	three-stage mast full-free external cylinder components
16	534798520042	Dust ring	1	Fig. 26/2	three-stage mast full-free middle cylinder components
			1	Fig. 29/2	two-stage mast full-free middle cylinder components
17	534798520063	Ring	1	Fig. 26/3	three-stage mast full-free middle cylinder components
			1	Fig. 29/3	two-stage mast full-free middle cylinder components

18	534798520064	Seal ring	1	Fig. 26/4	three-stage mast full-free middle cylinder components
			1	Fig. 29/4	two-stage mast full-free middle cylinder components
19	534498520021	O RING	2	Fig. 26/6	three-stage mast full-free middle cylinder components
			2	Fig. 29/6	two-stage mast full-free middle cylinder components
20	534798520066	Ring	1	Fig. 26/7	three-stage mast full-free middle cylinder components
			1	Fig. 29/7	two-stage mast full-free middle cylinder components
21	534798520067	Support ring	1	Fig. 26/8	three-stage mast full-free middle cylinder components
			1	Fig. 29/8	two-stage mast full-free middle cylinder components
22	534798520072	Support ring	1	Fig. 26/13	three-stage mast full-free middle cylinder components
			1	Fig. 29/13	two-stage mast full-free middle cylinder components
23	534798510001	Sealing components	1	Fig. 26/14	three-stage mast full-free middle cylinder components
24	910800400002	Dust ring	1	Fig. 27/1	three-stage mast standard external cylinder components
			1	Fig. 30/1	two-stage mast standard external cylinder components
25	535098520016	Support ring	1	Fig. 27/3	three-stage mast standard external cylinder components
26	910800100050	O RING	1	Fig. 27/9	
27	535098520029	Support ring	1	Fig. 27/10	
28	535398520005	Sealing ring	1	Fig. 27/11	
29	534798510004	Sealing components	1	Fig. 27/12	
30	534798520027	Dust ring	1	Fig. 28/1	two-stage mast full-free external cylinder components
31	534798520028	Sealing ring	1	Fig. 28/2	
32	534798520029	Sealing part	1	Fig. 28/3	
33	534798520030	Support ring	1	Fig. 28/4	
34	534798510002	Sealing components	1	Fig. 28/14	
35	534798510003	Sealing components	1	Fig. 29/14	two-stage mast full-free middle cylinder components
36	535398520002	Seal ring	1	Fig. 30/2	two-stage mast standard external cylinder components
37	535098520017	Sealing part	1	Fig. 30/3	

38	535398520003	Support ring	1	Fig. 30/4	
39	534798510005	Sealing components	1	Fig. 30/13	
40	910700200021	Bearing	2	Fig. 31/6	
41	505633510000	Proximity switch	1	Fig. 31/10	Manual steering unit
42	910700200025	Bearing	2	Fig. 31/22	
43	910700200007	Bearing	1	Fig. 31/26	
44	910700200041	Bearing	2	Fig. 33/2	EPS components
45	940300300009	Roller	4	Fig. 35/7	Load roller assembly
46	532917001000	Load roller assembly	2	Fig. 35/10	
47	920200300001	Micro switch	1	Fig. 41/1	Electrical parts
48	535933510017	Magnetic switch	1	Fig. 41/7	
	535933510016	Magnetic switch			
	535933510014	Magnetic switch			
	535933510013	Magnetic switch			
	535933510012	Magnetic switch			
49	535933510005	Magnetic switch	1	Fig. 41/8	
50	920100200002	Fuse	2	Fig. 42/14	Electrical control components (COMBIACX)
			2	Fig. 43/14	Electrical control components (COMBIACX+EPSDC0)
51	920100100013	Fuse	1	Fig. 42/19	Electrical control components (COMBIACX)
			1	Fig. 43/19	Electrical control components (COMBIACX+EPSDC0)
52	920100100001	Fuse	1	Fig. 43/29	Electrical control components (COMBIACX+EPSDC0)