

Print Number:

Print Date:

---

**NOBLELIFT**



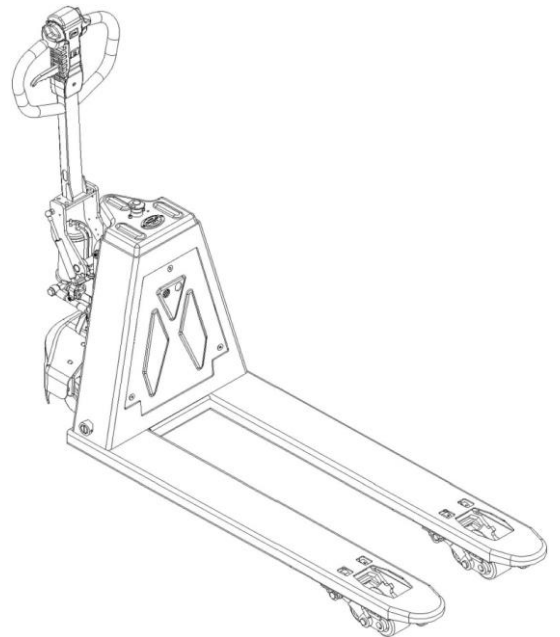
Scan QR Code for More

Service Hotline: 836115

**Electric Pallet Truck PTE15-C\_SPTE15-C**

**PARTS MANUAL**

508846020101



Version:V01

Truck Identification Number From:

Parts Manual

PTE15-C\_SPTE15-C-PM01EN

---

Please order spare parts from authorized dealers of Noblelift Intelligent Equipment Co., LTD.

In order to avoid wrong delivery, all the orders for spare parts should specify the following items:

- Truck model, identification number and manufacture year.
- Orders for spare parts of mast, hydraulic transmission unit, steering axle, motor, etc. shall indicate the manufacture number of these parts.
- Codes for Noblelift spare parts are shown in the table of parts manual. Please also pay attention to the description of supply status, order quantity, etc. (check the number listed in "Mark" column of the parts manual).

"Mark" Column:

The unmarked indicates the parts are in short supply cycle.

Number 1: supply as package. Indicating these that parts are small parts and seal parts, which are supplied in package unit and in short supply cycle.

Number 2: supply with constraints. Indicating that these spare parts are not in stock and will be prepared for production after receiving the order from customers, which are in long supply cycle.

Number 3: phasing-out supply. Indicating that these parts will be replaced by new parts due to technical improvements and the current stock will not be available when these parts run out. Please check the description of technical improvements notice.

Number 4: supply as assembly. Indicating that these parts are assembly parts defined by manufacture process, which cannot be supplied as a single part.

Number 5: check other tables.

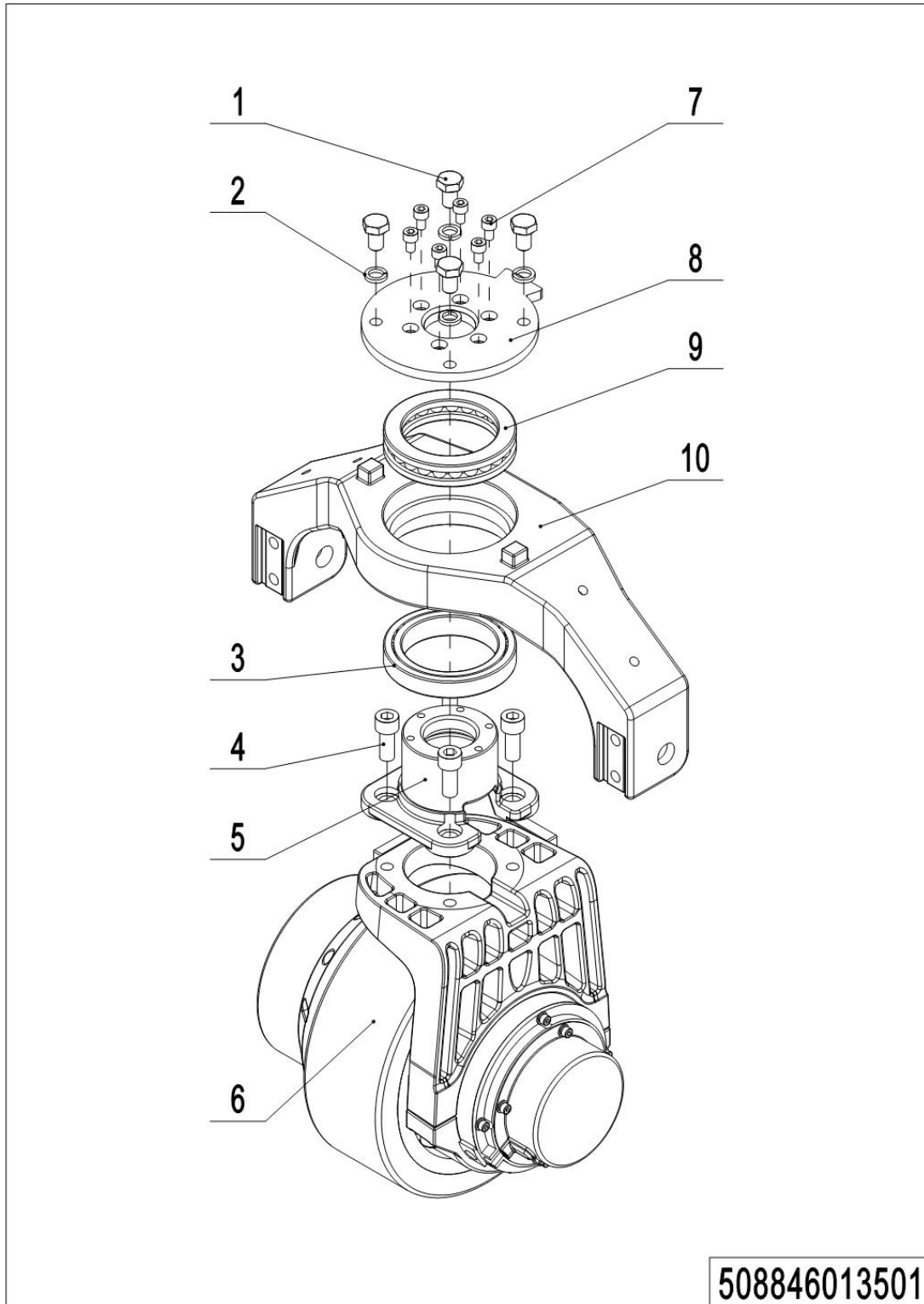
This parts manual is the property of Noblelift and can be shared under the confidential agreement only, Noblelift has the right to claim for compensation of any unauthorized use. Copy without permission is not allowed. Figures in the manual are not limited by the original design. Noblelift Intelligent Equipment Co., LTD reserves the right to improve the products for continuous technology progress.

# Table of Contents

Chapter 1: Drive System.....	4
01 Drive Unit (508846013503).....	4
02 Drive Assembly (508846013502).....	6
Chapter 2: Hydraulic System.....	8
01 Hydraulic Components (Electric) (508846024002).....	8
02 Pump Unit (508846024003).....	10
03 Hydraulic Components (Semi-electric) (508846024004).....	12
Chapter 3: Truck Frame.....	14
01 Chassis (540) (508846021503).....	14
01 Chassis (540) (508846021503) Continuation.....	16
02 Chassis (685) (508846021504).....	18
02 Chassis (685) (508846021504) Continuation.....	20
Chapter 4: Steering System, Braking System, Wheels.....	22
01 Tiller Unit (Electric) (508846011003).....	22
01 Tiller Unit (Electric) (508846011003) Continuation.....	24
02 Tiller (Electric) (508846011004).....	26
03 Tiller Unit (Semi-electric) (508846011005).....	28
03 Tiller Unit (Semi-electric) (508846011005) Continuation.....	30
04 Tiller (Semi-electric) (508846011006).....	32
05 Load Wheel (508846017001).....	34
06 Caster (508846016501).....	36
07 Caster (without) (508846016502).....	38
Chapter 5: Electrical Parts.....	40
01 Electrical Components (Electric) (508846033001).....	40
02 Electrical Components (Semi-electric) (508846033002).....	42
03 Charger (508846036501).....	44
Chapter 6: Others.....	46
01 Labels and Decals (508846047001).....	46
02 Labels and Decals (USA) (508846047002).....	48
Appendix.....	50
01 Electrical Circuit Diagram (Electric).....	50
02 Electrical Circuit Diagram (Semi-electric).....	51
03 Hydraulic Circuit Diagram (Electric).....	52
04 Hydraulic Circuit Diagram (Semi-electric).....	53
05 Consumable Parts List.....	54

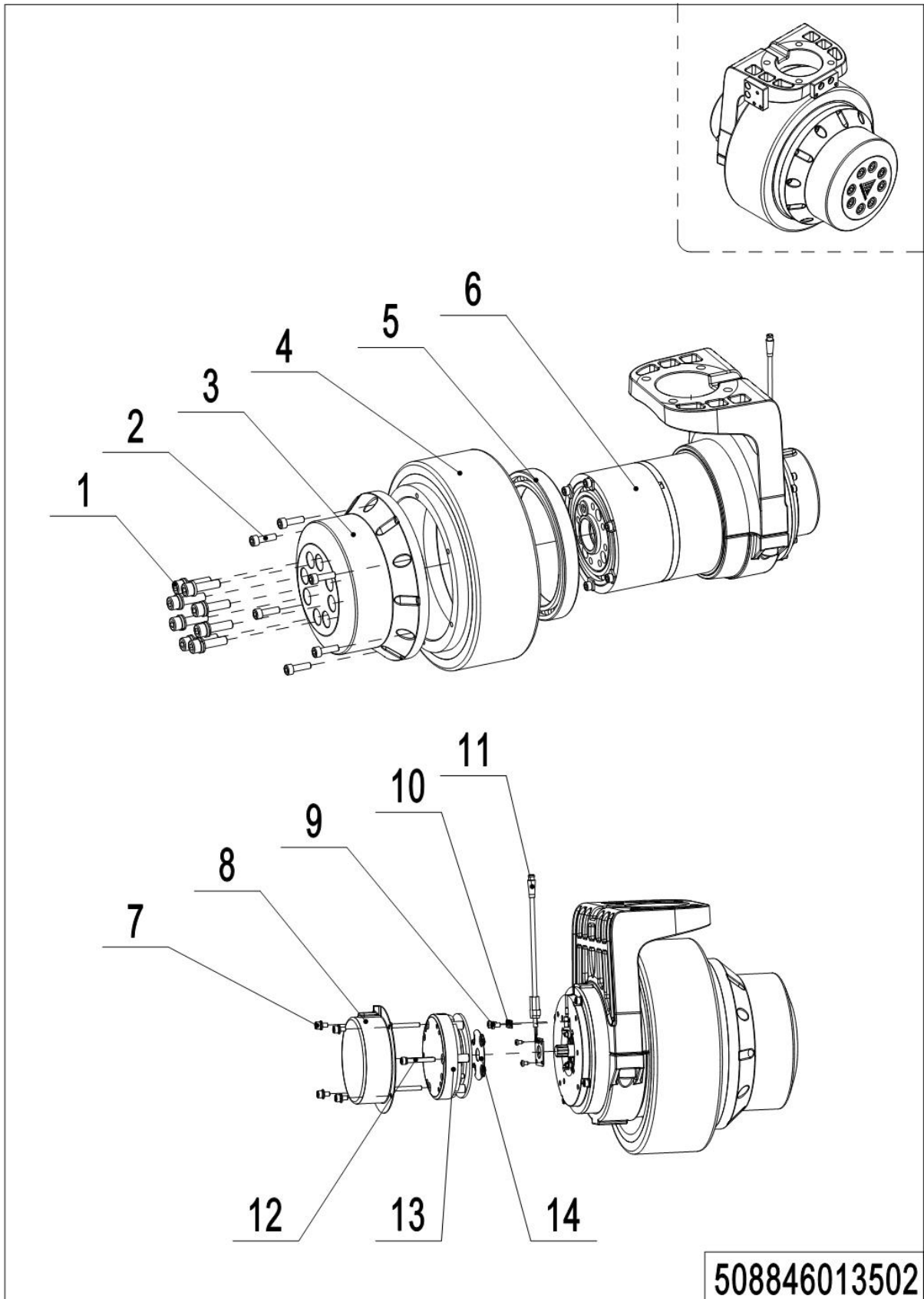
## Chapter 1: Drive System

### 01 Drive Unit (508846013503)



## 01 Drive Unit (508846013503)

No.	Item Code	Mark	Item Description	Qty.	Substitute	Note
1	910100300035	1	Bolt	4		
2	910400500007	1	Spring Washer	4		
3	910700600044	1	Bearing	1		
4	910200200076	1	Screw	4		
5	508813520001	2	Flange	1		
6	-----	2	Drive Unit	1		Check 508846013502
7	910200200032	1	Screw	6		
8	508813520002	2	Stop Plate	1		
9	910700700011	1	Bearing	1		
10	508813520000	2	Wheel Mount	1		

**02 Drive Assembly (508846013502)**

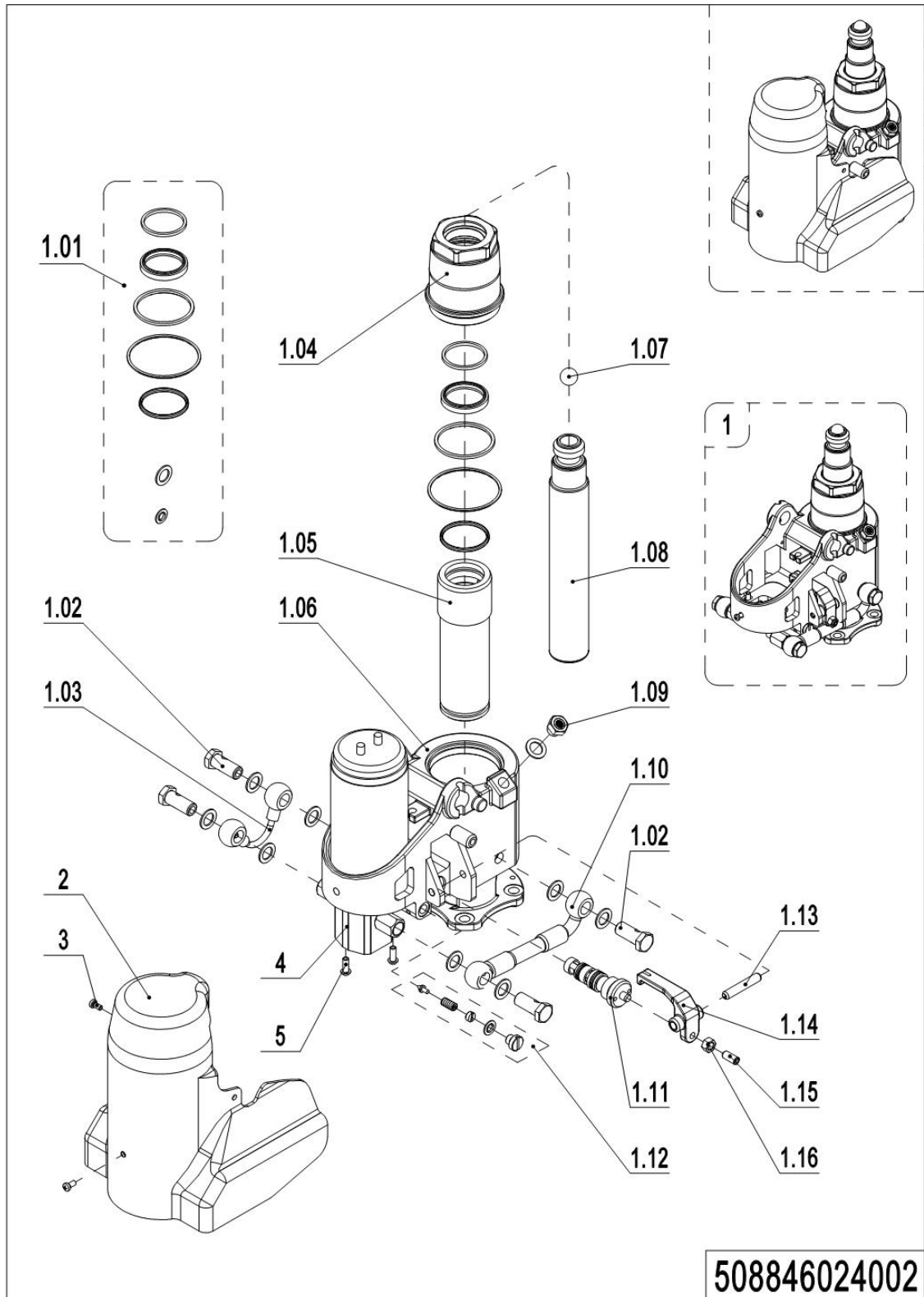
1= Supply as package. 2= Supply with constraints. 3= Phasing-out supply. 4= Supply as assembly. 5= Check other tables.

## 02 Drive Assembly (508846013502)

No.	Item Code	Mark	Item Description	Qty.	Substitute	Note
--	940900100019	2	Drive Unit	1		
1	508898520000	1	Screw	8		
2	910200200036	1	Screw	6		
3	508898520001	2	Protective Cover	1		
4	508898520002	2	Wheel Hub	1		
5	508898520003	2	Bearing	1		
6	508898520007	2	Motor	1		
7	508898520012	2	Screw	4		
8	508898520011	2	Protective Cover	1		
9	508898520010	1	Screw	2		
10	508898520009	2	Plate	1		
11	508898520008	2	Hall Plate Assembly	1		
12	508898520013	2	Screw	3		
13	508898520014	2	Brake	1		
14	508898520015	2	Protective Cover	1		

## Chapter 2: Hydraulic System

### 01 Hydraulic Components (Electric) (508846024002)

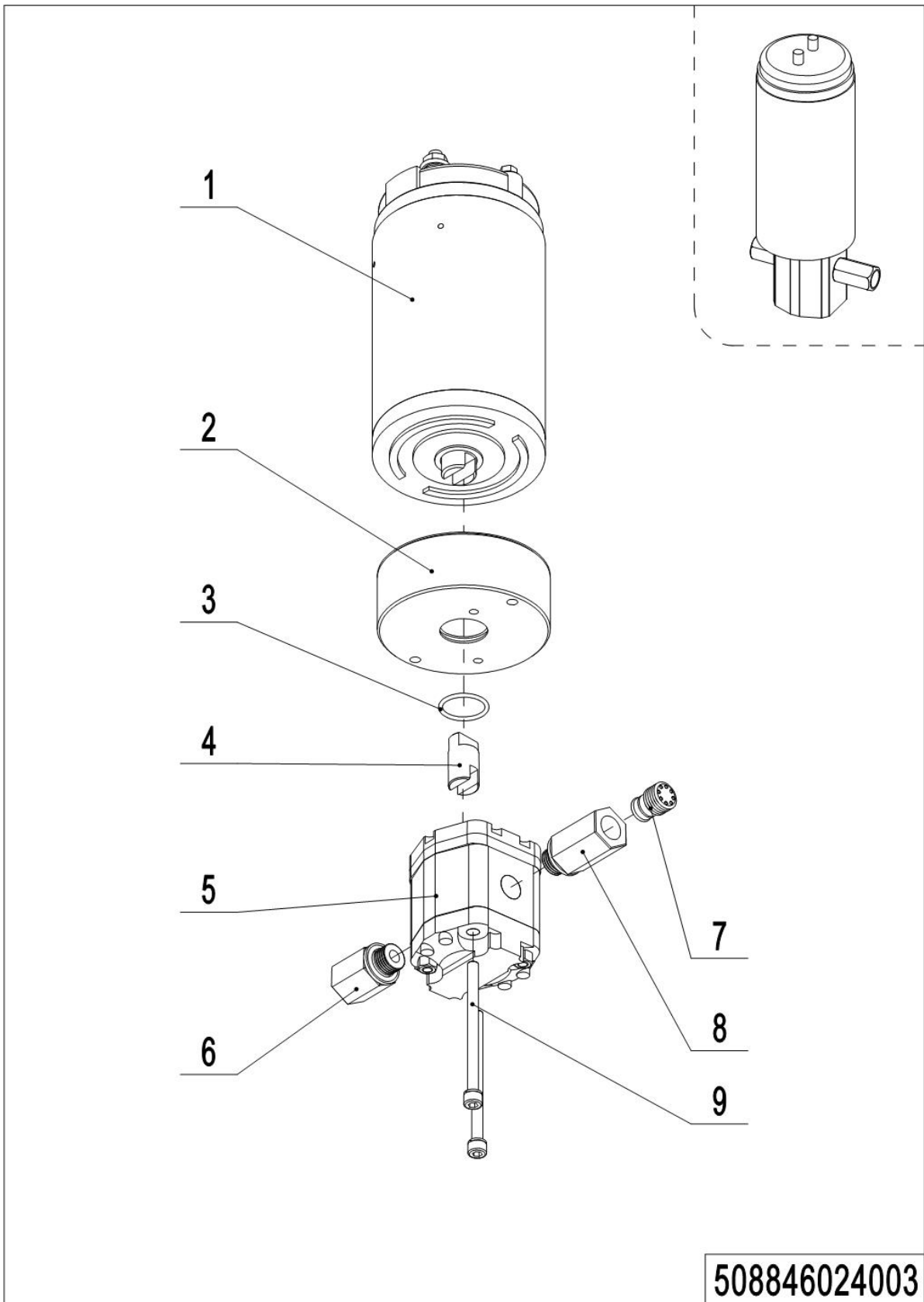


1= Supply as package. 2= Supply with constraints. 3= Phasing-out supply. 4= Supply as assembly. 5= Check other tables.



## 01 Hydraulic Components (Electric) (508846024002)

No.	Item Code	Mark	Item Description	Qty.	Substitute	Note
--	508898510020	2	Hydraulic Kit	1		
1	508898510021	2	Pump Unit Kit	1		
1.01	508898510019		Seal Kit	1		
1.02	503224020005	2	Bolt	4		
1.03	503224010003	2	Steel Tube	1		
1.04	508824020017	2	Cylinder Head	1		
1.05	503224020004	2	Cylinder Block	1		
1.06	508824010005	2	Pump Body	1		
1.07	910701100019	2	Steel Ball	1		
1.08	508824020032	2	Piston Rod	1		
1.09	951100200002	2	Screw Plug	1		
1.10	503224010002	2	Hose	1		
1.11	502024010005	2	Valve Kit	1		
1.12	508898510014	2	Overflow Valve	1		
1.13	910600400048	2	Spring Pin	1		
1.14	502024020003	2	Oscillating Bar	1		
1.15	910200800021	1	Screw	1		
1.16	910300100006	1	Nut	1		
2	503224020006	2	Protective Cover	1		
3	910200500037	1	Screw	2		
4	-----	2	Pump Unit	1		Check 508846024003
5	910200300018	1	Screw	2		

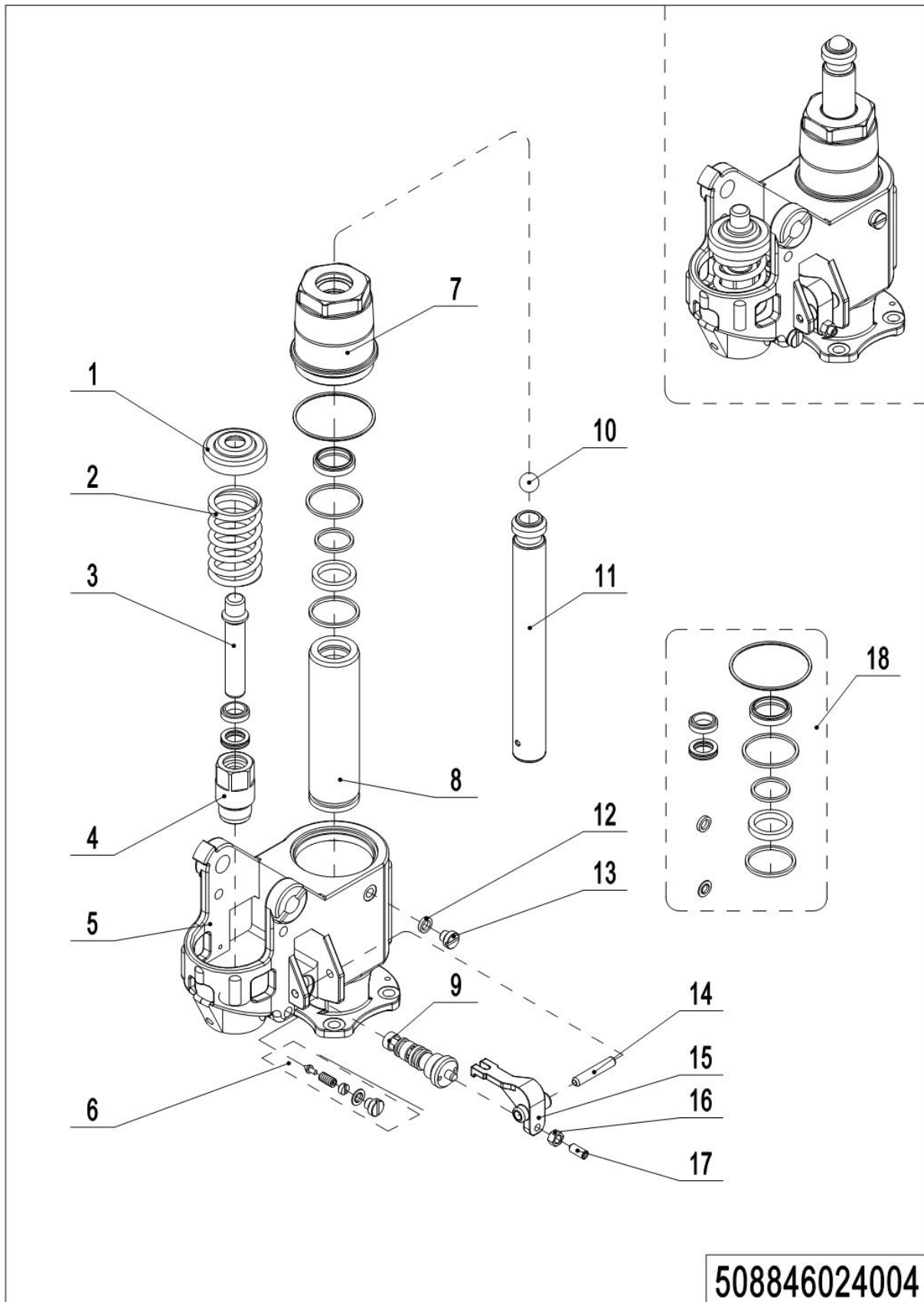
**02 Pump Unit (508846024003)**

1= Supply as package. 2= Supply with constraints. 3= Phasing-out supply. 4= Supply as assembly. 5= Check other tables.

## 02 Pump Unit (508846024003)

No.	Item Code	Mark	Item Description	Qty.	Substitute	Note
--	950900100067	2	Pump Unit	1		
1	508898520016	2	Motor	1		
2	508898520017	2	Flange	1		
3	910800100063	2	O-Ring	1		
4	508898520018	2	Coupling	1		
5	508898520019	2	Gear Pump	1		
6	503224020008	2	Adapter	1		
7	503224010004	2	Check Valve	1		
8	503224020007	2	Adapter	1		
9	910200200031	2	Screw	2		

### 03 Hydraulic Components (Semi-electric) (508846024004)



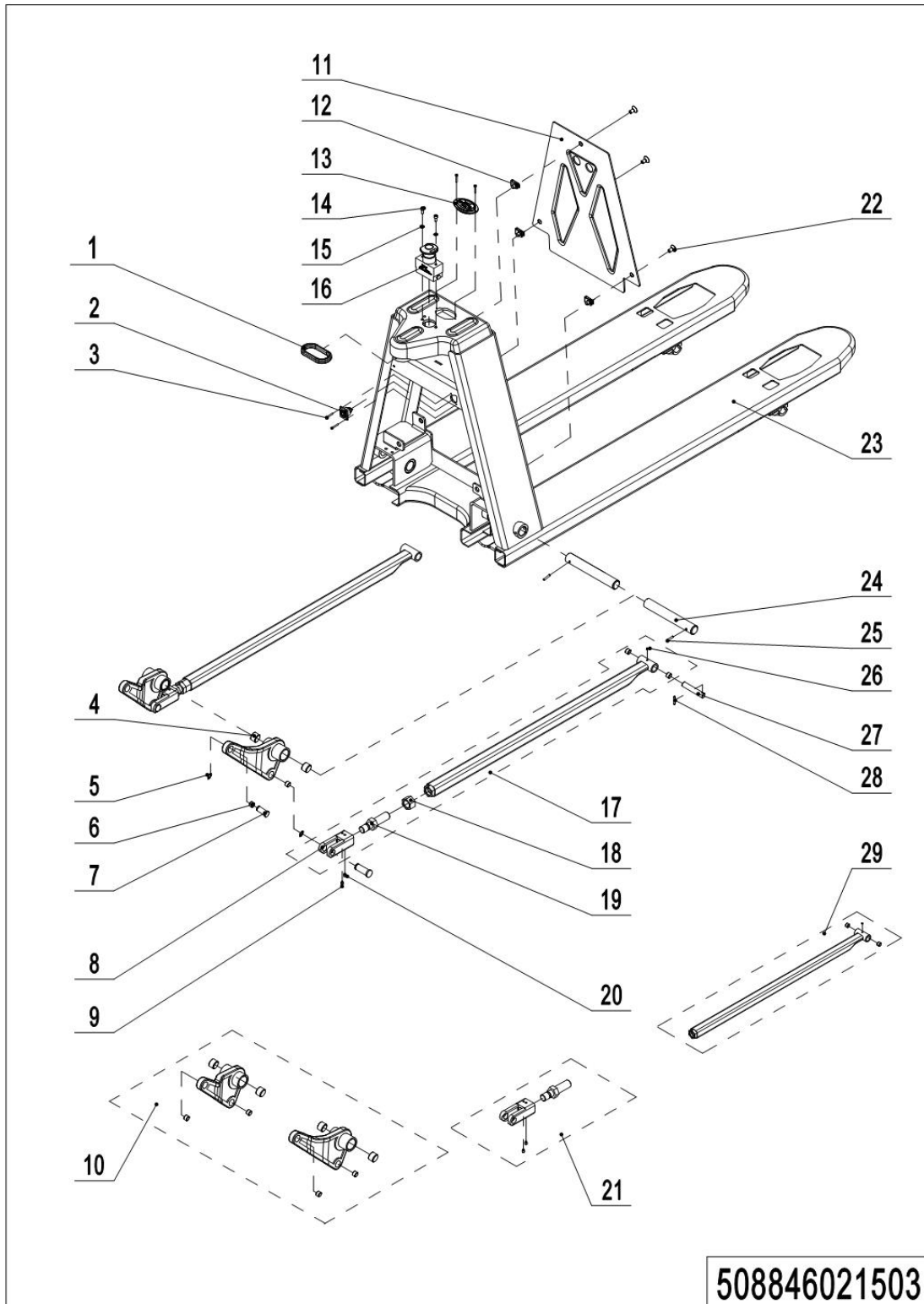
1= Supply as package. 2= Supply with constraints. 3= Phasing-out supply. 4= Supply as assembly. 5= Check other tables.

## 03 Hydraulic Components (Semi-electric) (508846024004)

No.	Item Code	Mark	Item Description	Qty.	Substitute	Note
--	508898510029	2	Hydraulic Kit	1		
1	300523520006	2	Spring Cup	1		
2	502624020004	2	Spring	1		
3	311423520001	2	Piston Rod	1		
4	300523520004	2	Cylinder	1		
5	508824010007	2	Pump Body	1		
6	508898510014	2	Overflow Valve	1		
7	508824020019	2	Cylinder Head	1		
8	502624020012	2	Cylinder Block	1		
9	502024010005	2	Valve Kit	1		
10	910701100019	2	Steel Ball	1		
11	502124020001	2	Piston Rod	1		
12	950100200002	2	Seal Gasket	1		
13	502624020011	2	Plug	1		
14	910600400048	1	Spring Pin	1		
15	300523520001	2	Oscillating Bar	1		
16	910300100006	1	Nut	1		
17	910200800021	1	Screw	1		
18	508898510022		Seal Kit	1		

## Chapter 3: Truck Frame

### 01 Chassis (540) (508846021503)



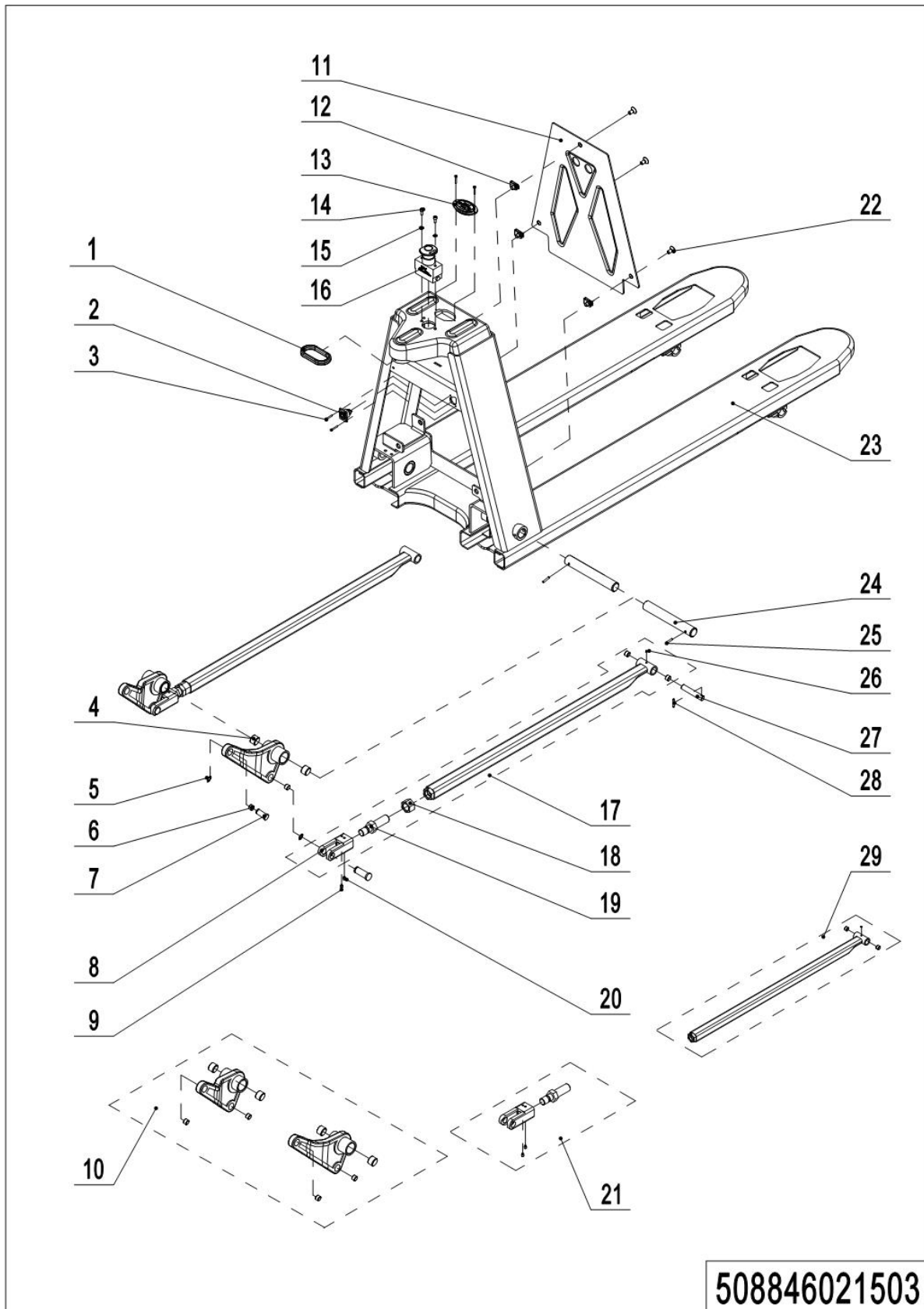
1= Supply as package. 2= Supply with constraints. 3= Phasing-out supply. 4= Supply as assembly. 5= Check other tables.

## 01 Chassis (540) (508846021503)

No.	Item Code	Mark	Item Description	Qty.	Substitute	Note
1	250521520061	2	Jacket	1		
2	508833010007	2	Wire Harness	1		
3	910200200003	1	Screw	2		
4	940500100097	2	Bushing	4		
5	910401300007	1	Circlip	4		
6	940500100083	2	Bushing	8		
7	508038520041	2	Pin	4		
8	508038520028	2	Push Rod Fork	2		
9	910201000005	1	Screw	2		
10	508898510006	2	Rise Arm	1		
11	508838520038	2	Shield	1		
12	940400400002	2	Cage Nut	3		
13	508833010009	2	Coulombmeter	1		
14	910200200021	1	Screw	2		
15	910400100004	1	Flat Washer	2		
16	920200100018	2	Emergency Button	1		
17	508898510023		Push Rod Kit(900)	2		
17	508898510024		Push Rod Kit(1000)	2		
17	508898510005		Push Rod Kit(1150)	2		
17	508898510025		Push Rod Kit(1220)	2		
18	910300400008	1	Nut	2		
19	508038520029	2	Threaded Rod	2		
20	910600400015	1	Spring Pin	2		
21	508098510004	2	Push Rod Fork Kit	2		
22	941101200001	1	Screw	3		
23	508838510017	2	Chassis(540x900)	1		
23	508838510008	2	Chassis(540x1000)	1		
23	508838510005	2	Chassis(540x1150)	1		
23	508838510015	2	Chassis(540x1220)	1		
24	508838520017	2	Axle	2		

1= Supply as package. 2= Supply with constraints. 3= Phasing-out supply. 4= Supply as assembly. 5= Check other tables.

## 01 Chassis (540) (508846021503) Continuation



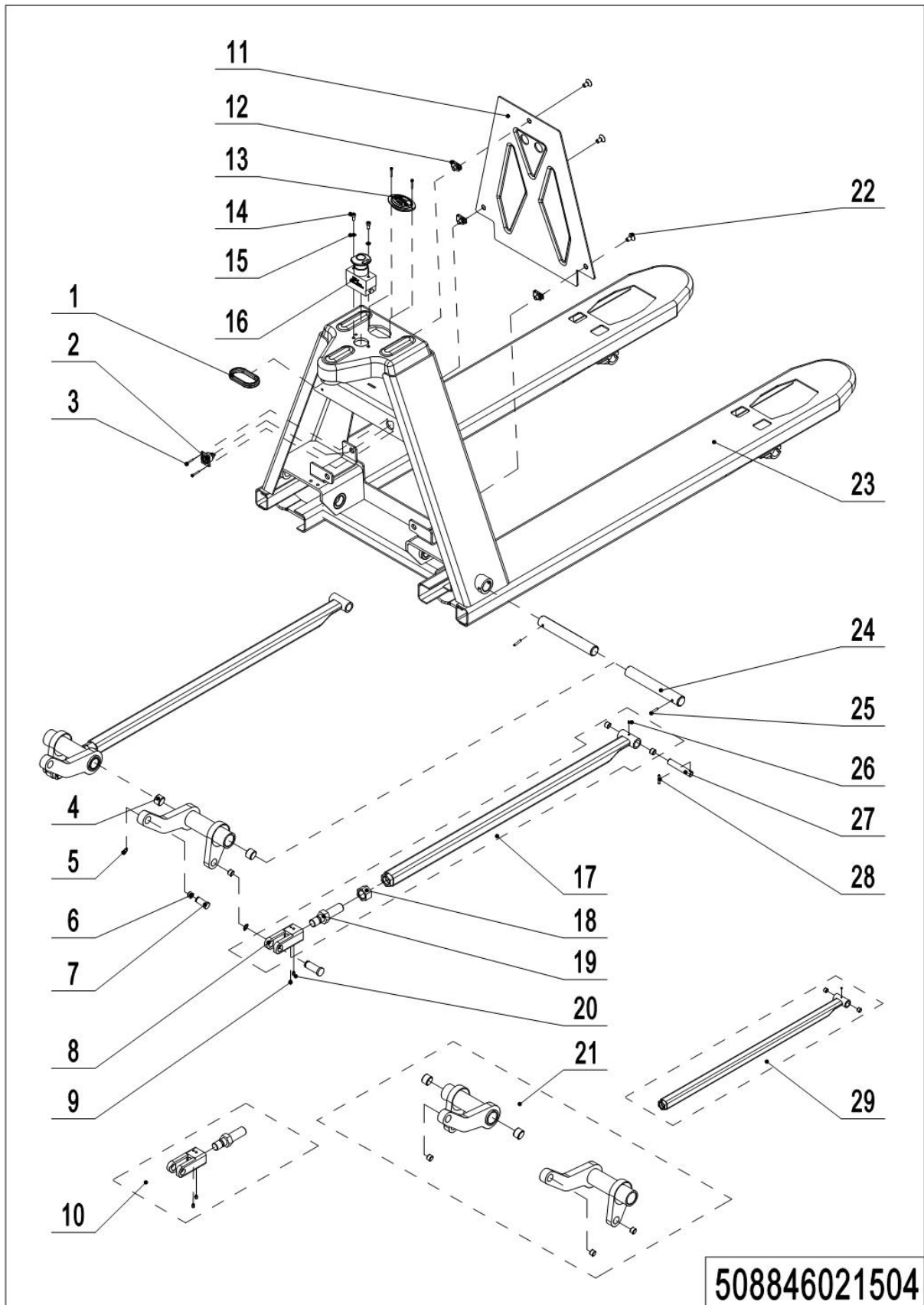
1= Supply as package. 2= Supply with constraints. 3= Phasing-out supply. 4= Supply as assembly. 5= Check other tables.



## 01 Chassis(540) (508846021503) Continuation

No.	Item Code	Mark	Item Description	Qty.	Substitute	Note
25	910600400041	1	Spring Pin	2		
26	911200100001	2	Oil Cup	2		
27	502338520030	2	Axle	2		
28	910600400024	1	Spring Pin	2		
29	508898510026		Push Rod Kit(900)	2		
29	508898510027		Push Rod Kit(1000)	2		
29	508898510004		Push Rod Kit(1150)	2		
29	508898510028		Push Rod Kit(1220)	2		

## 02 Chassis (685) (508846021504)



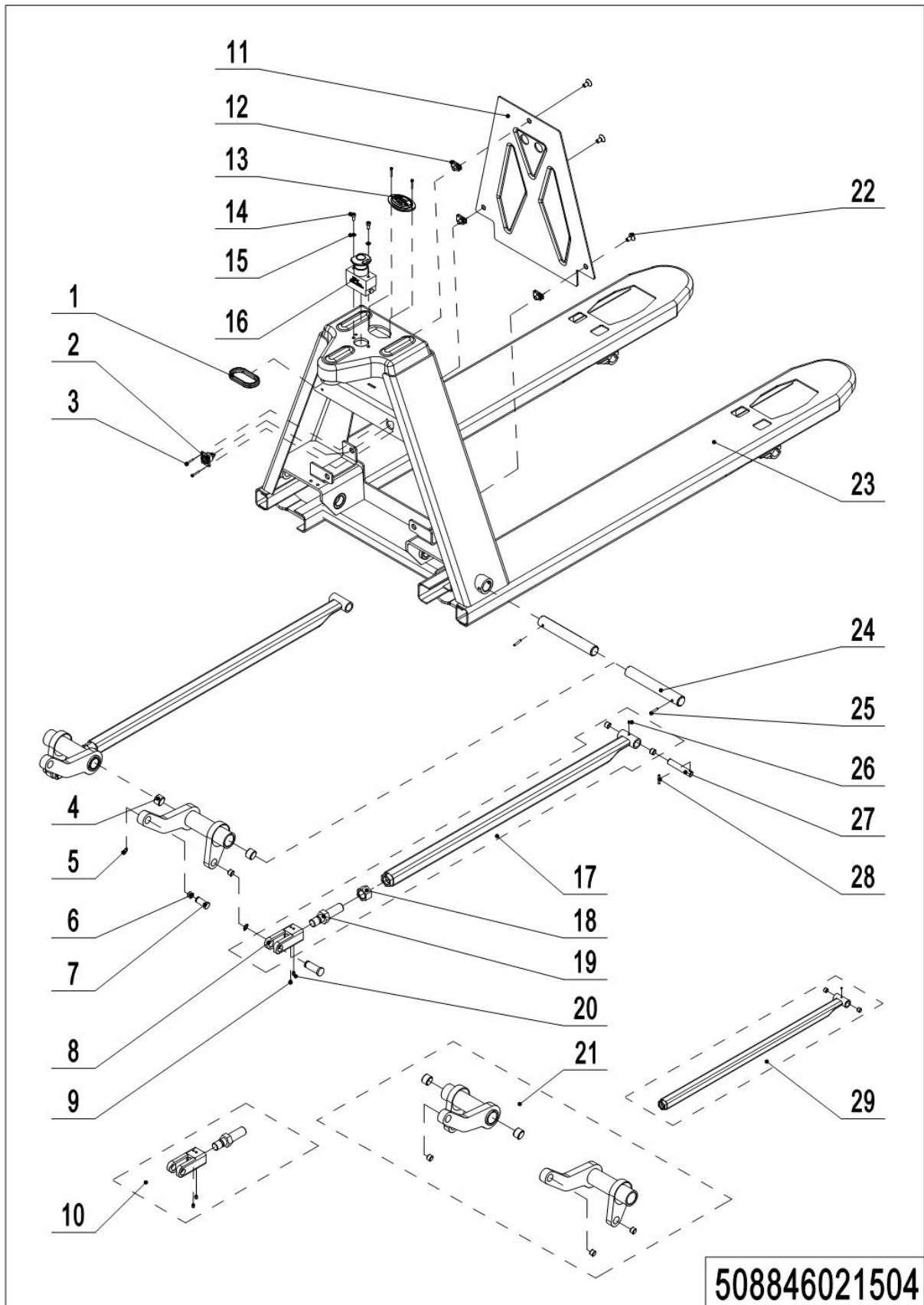
1= Supply as package. 2= Supply with constraints. 3= Phasing-out supply. 4= Supply as assembly. 5= Check other tables.

## 02 Chassis (685) (508846021504)

No.	Item Code	Mark	Item Description	Qty.	Substitute	Note
1	250521520061	2	Jacket	1		
2	508833010007	2	Wire Harness	1		
3	910200200003	1	Screw	2		
4	940500100097	2	Bushing	4		
5	910401300007	1	Circlip	4		
6	940500100083	2	Bushing	8		
7	508038520041	2	Pin	4		
8	508038520028	2	Push Rod Fork	2		
9	910201000005	1	Screw	2		
10	508098510004	2	Push Rod Fork Kit	2		
11	508838520038	2	Shield	1		
12	940400400002	2	Cage Nut	3		
13	508833010009	2	Coulombmeter	1		
14	910200200021	1	Screw	2		
15	910400100004	1	Flat Washer	2		
16	920200100018	2	Emergency Button	1		
17	508898510023		Push Rod Kit(900)	2		
17	508898510024		Push Rod Kit(1000)	2		
17	508898510005		Push Rod Kit(1150)	2		
17	508898510025		Push Rod Kit(1220)	2		
18	910300400008	1	Nut	2		
19	508038520029	2	Threaded Rod	2		
20	910600400015	2	Spring Pin	2		
21	508898510007	2	Rise Arm	1		
22	941101200001	1	Screw	3		
23	508838510012	2	Chassis(685x900)	1		
23	508838510009	2	Chassis(685x1000)	1		
23	508838510006	2	Chassis(685x1150)	1		
23	508838510016	2	Chassis(685x1220)			
24	508838520037	2	Axle	2		

1= Supply as package. 2= Supply with constraints. 3= Phasing-out supply. 4= Supply as assembly. 5= Check other tables.

## 02 Chassis (685) (508846021504) Continuation



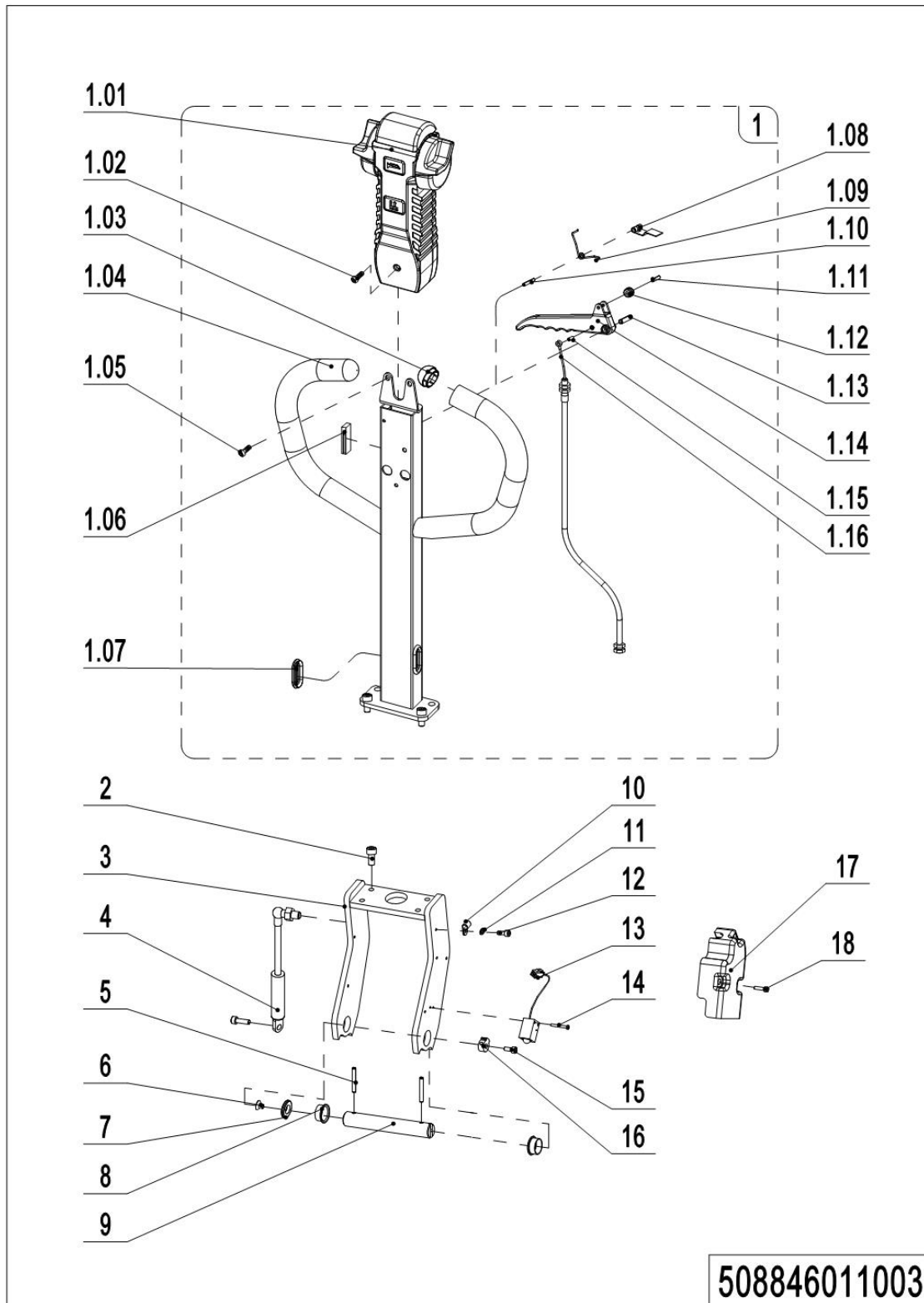
1= Supply as package. 2= Supply with constraints. 3= Phasing-out supply. 4= Supply as assembly. 5= Check other tables.

## 02 Chassis (685) (508846021504) Continuation

No.	Item Code	Mark	Item Description	Qty.	Substitute	Note
25	910600400041	1	Spring Pin	2		
26	911200100001	2	Oil Cup	2		
27	502338520030	2	Axle	2		
28	910600400024	1	Spring Pin	2		
29	508898510026		Push Rod Kit(900)	2		
29	508898510027		Push Rod Kit(1000)	2		
29	508898510004		Push Rod Kit(1150)	2		
29	508898510028		Push Rod Kit(1220)	2		

## Chapter 4: Steering System, Braking System, Wheels

### 01 Tiller Unit (Electric) (508846011003)



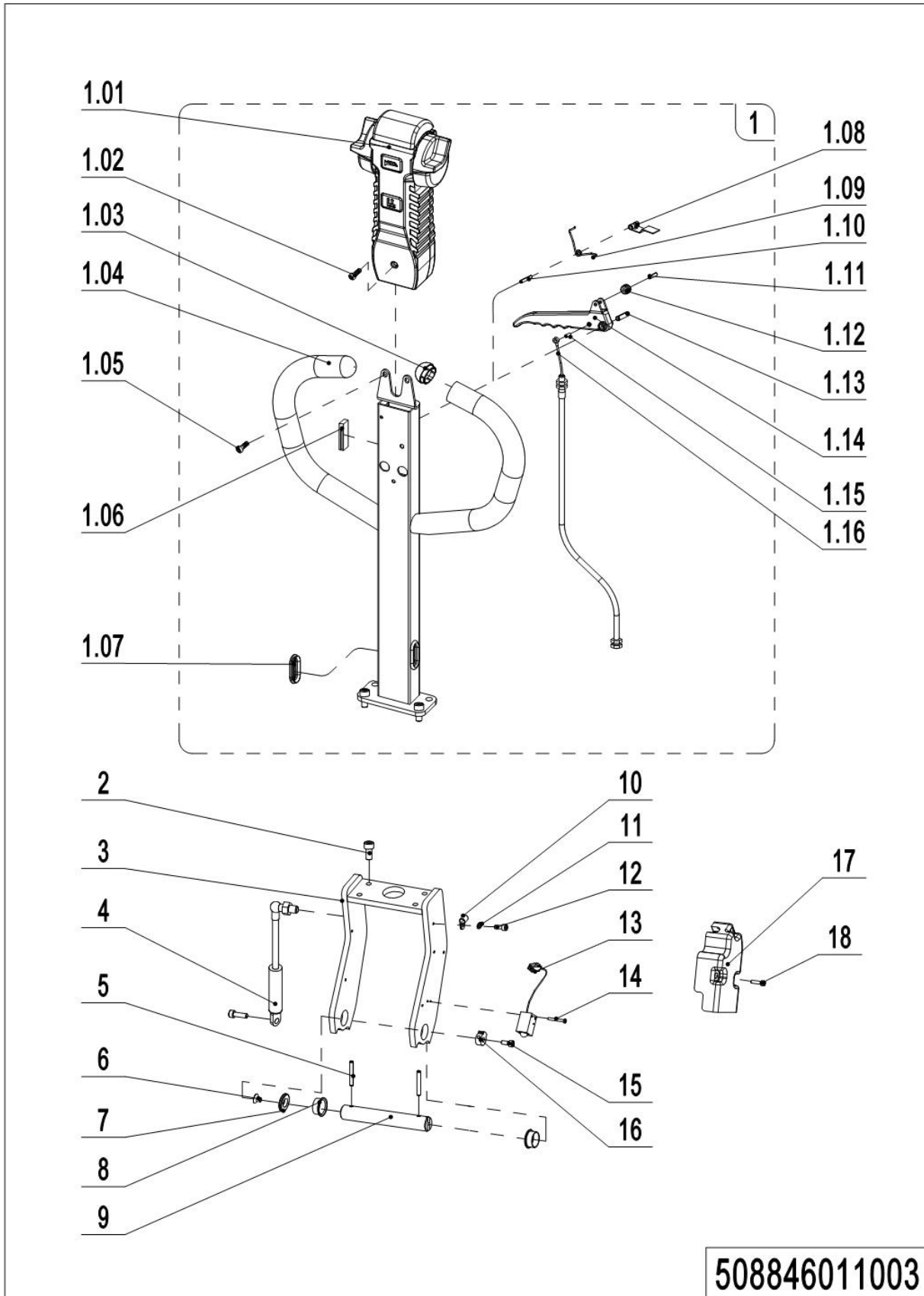
1= Supply as package. 2= Supply with constraints. 3= Phasing-out supply. 4= Supply as assembly. 5= Check other tables.

## 01 Tiller Unit (Electric) (508846011003)

No.	Item Code	Mark	Item Description	Qty.	Substitute	Note
1	508898510013	2	Handle Kit	1		
1.01	-----	2	Tiller	1		Check 508846011004
1.02	910200500036	1	Screw	3		
1.03	508811020007	2	Close Plate	2		
1.04	508811010000	2	Tiller	1		
1.05	910200500041	1	Screw	4		
1.06	301011020007	2	Rubber Mat	1		
1.07	300511020017	2	Jacket	1		
1.08	302511020000	2	Leaf Spring	1		
1.09	940400700002	2	Spring	1		
1.10	910600400015	1	Spring Pin	1		
1.11	910600400011	1	Spring Pin	1		
1.12	301011020004	2	Roller	1		
1.13	910600400038	1	Spring Pin	1		
1.14	301011020002	2	Finger Lever	1		
1.15	910600400009	1	Spring Pin	1		
1.16	502111020007	2	Control Cable	1		
2	910200200055	1	Screw	5		
3	508811010002	2	Flange	1		
4	940400100003		Air Spring	1		
5	910600400027	1	Spring Pin	2		
6	910200400016	1	Screw	1		
7	508811020006	2	End Cap	1		
8	940500200004		Bushing	2		
9	508811020005	2	Axle	1		
10	921300200001	2	Cable Clamp	3		
11	910400100003	1	Flat Washer	3		
12	910200500021	1	Screw	3		
13	508833010018	2	Proximity Switch	1		
14	910200500016	1	Screw	2		

1= Supply as package. 2= Supply with constraints. 3= Phasing-out supply. 4= Supply as assembly. 5= Check other tables.

**01 Tiller Unit (Electric) (508846011003) Continuation**

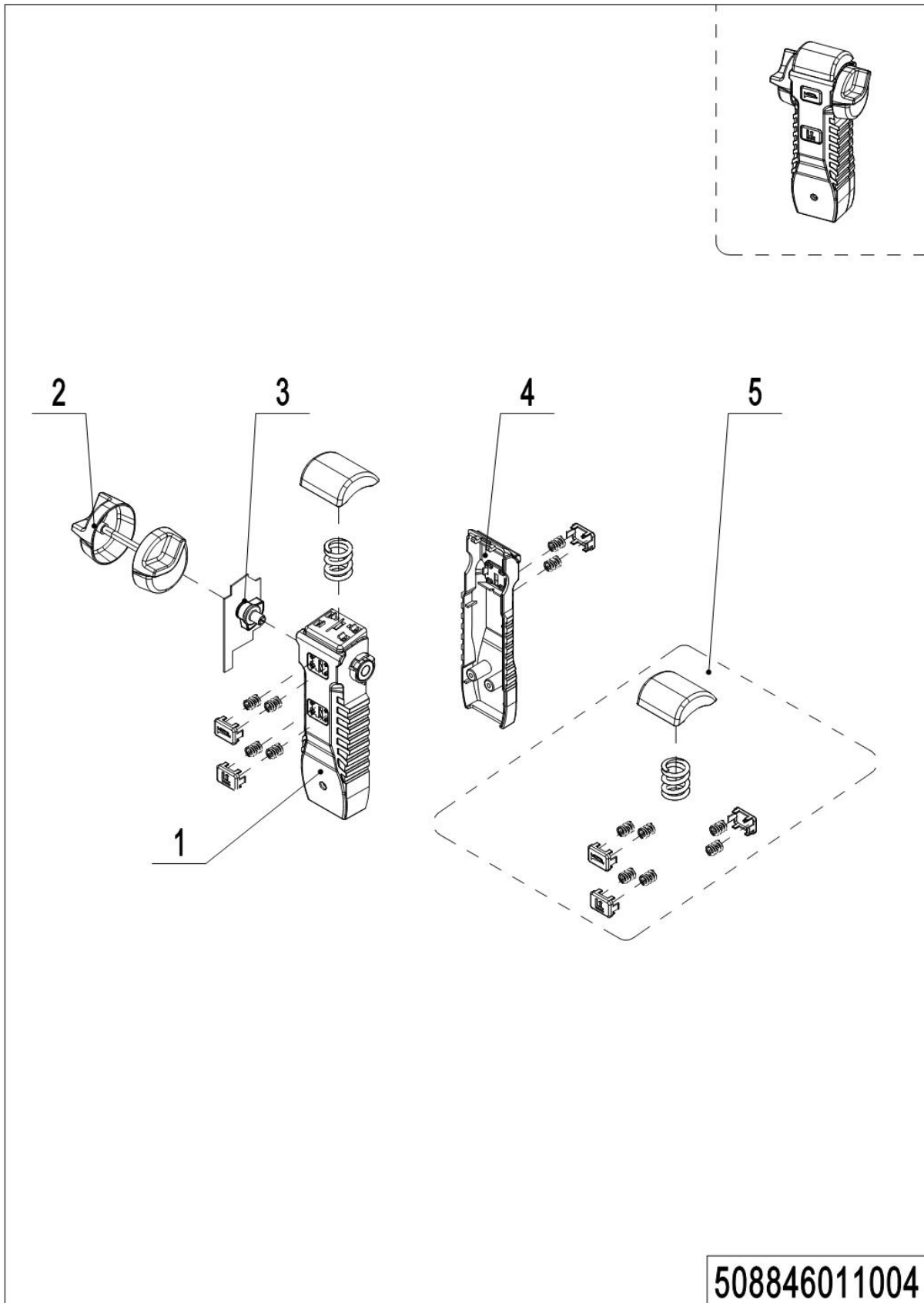


1= Supply as package. 2= Supply with constraints. 3= Phasing-out supply. 4= Supply as assembly. 5= Check other tables.



## 01 Tiller Unit (Electric) (508846011003) Continuation

No.	Item Code	Mark	Item Description	Qty.	Substitute	Note
15	910200200022	1	Screw	1		
16	503211020011	2	Induction Block	1		
17	502611020007	2	Protective Cover	1		
18	910200500024	1	Screw	3		

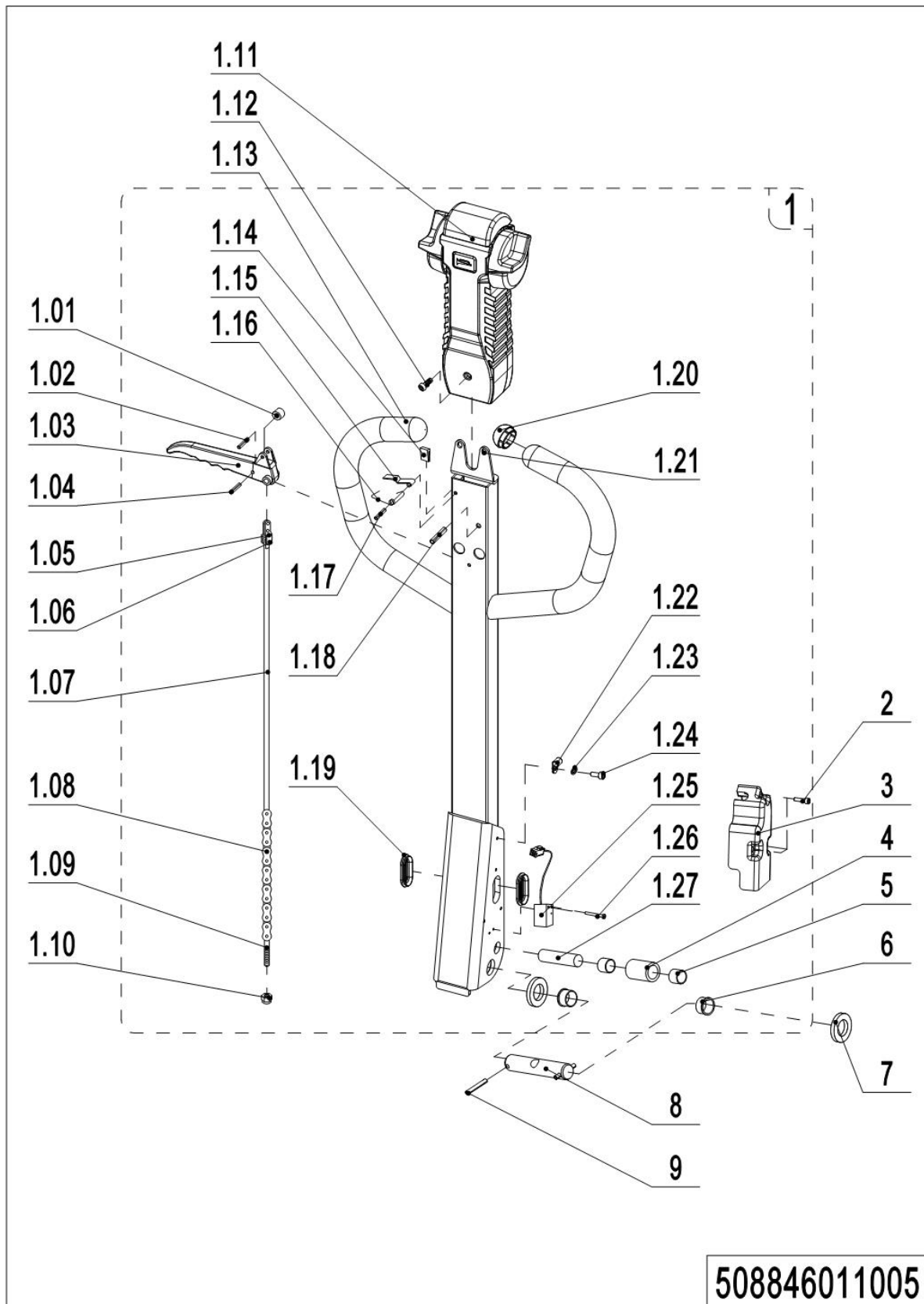
**02 Tiller (Electric) (508846011004)**

1= Supply as package. 2= Supply with constraints. 3= Phasing-out supply. 4= Supply as assembly. 5= Check other tables.

## 02 Tiller (Electric) (508846011004)

No.	Item Code	Mark	Item Description	Qty.	Substitute	Note
--	922100100041	2	Tiller	1		
1	508898520004	2	Handle Cap	1		
2	508898510008	2	Button	1		
3	508898510009	2	Accelerator	1		
4	508898520005	2	Handle Cap	1		
5	508898510010	2	Switch Assembly	1		

### 03 Tiller Unit (Semi-electric) (508846011005)



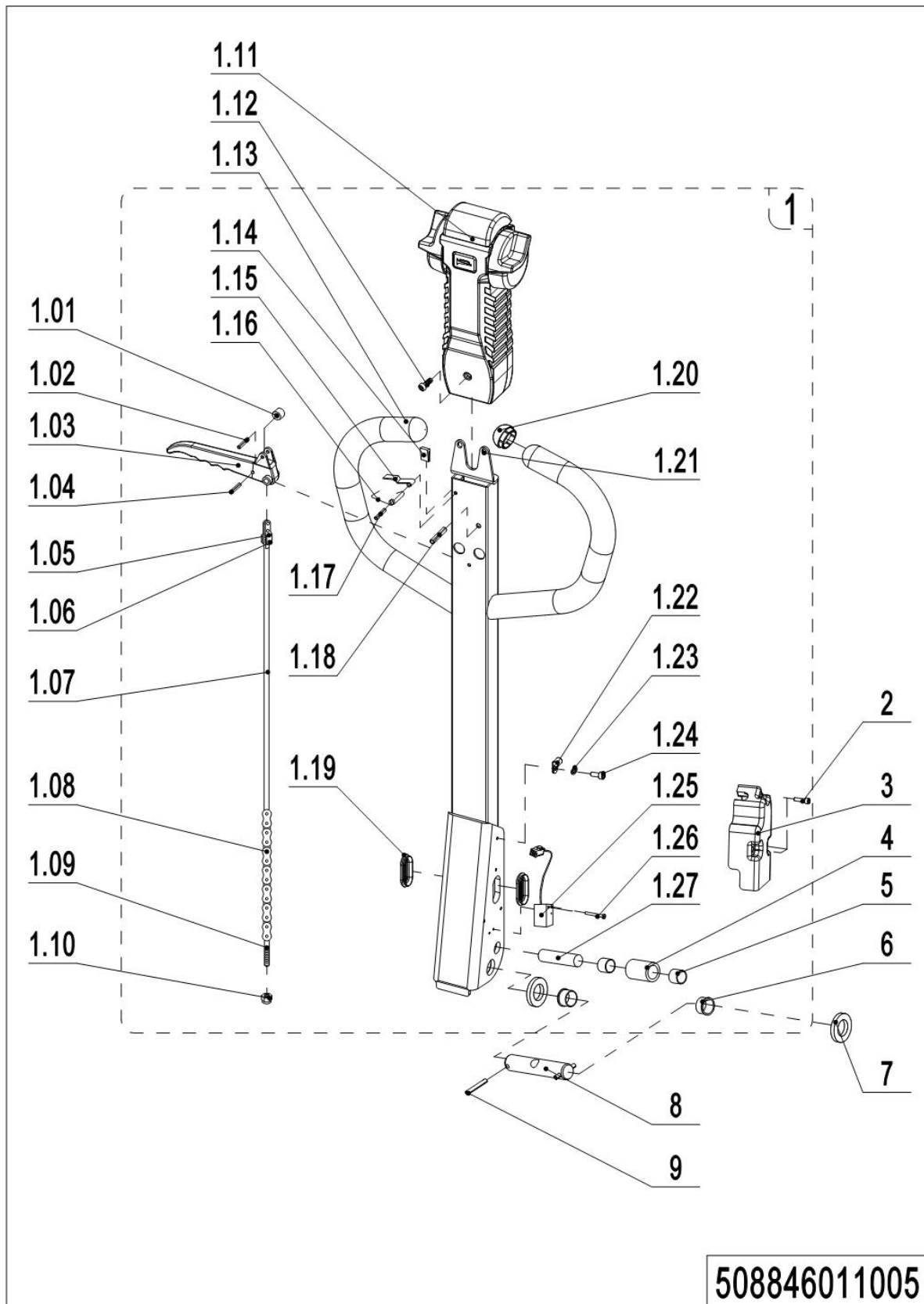
1= Supply as package. 2= Supply with constraints. 3= Phasing-out supply. 4= Supply as assembly. 5= Check other tables.

## 03 Tiller Unit (Semi-electric) (508846011005)

No.	Item Code	Mark	Item Description	Qty.	Substitute	Note
1	508898510012	2	Handle Kit	1		
1.01	301011020004	2	Roller	1		
1.02	910600400011	1	Spring Pin	1		
1.03	301011020002	2	Finger Lever	1		
1.04	910600400009	1	Spring Pin	1		
1.05	301011020001	2	Plate	1		
1.06	910500400001	1	Rivet	1		
1.07	502111020004	2	Rod	1		
1.08	301011020009	2	Chain	1		
1.09	301011020006	2	Rod	1		
1.10	910300500002	1	Nut	2		
1.11	-----	2	Tiller	1		
1.12	910200500036	1	Screw	3		
1.13	508811010001	2	Tiller	1		
1.14	301011020007	2	Rubber Mat	1		
1.15	302511020000	2	Leaf Spring	1		
1.16	940400700002	2	Spring	1		
1.17	910600400015	1	Spring Pin	1		
1.18	910600400038	1	Spring Pin	1		
1.19	300511020017	2	Jacket	2		
1.20	508811020007	2	Close Plate	2		
1.21	910200500041	1	Screw	4		
1.22	921300200001	2	Cable Clamp	3		
1.23	910400100003	1	Flat Washer	3		
1.24	910200500021	1	Screw	3		
1.25	508833010018		Proximity Switch	1		
1.26	910200500016	1	Screw	2		
1.27	300511020000	2	Axle	1		
2	910200500024	1	Screw	3		
3	503211020008	2	Protective Cover	1		

1= Supply as package. 2= Supply with constraints. 3= Phasing-out supply. 4= Supply as assembly. 5= Check other tables.

### 03 Tiller Unit (Semi-electric) (508846011005) Continuation

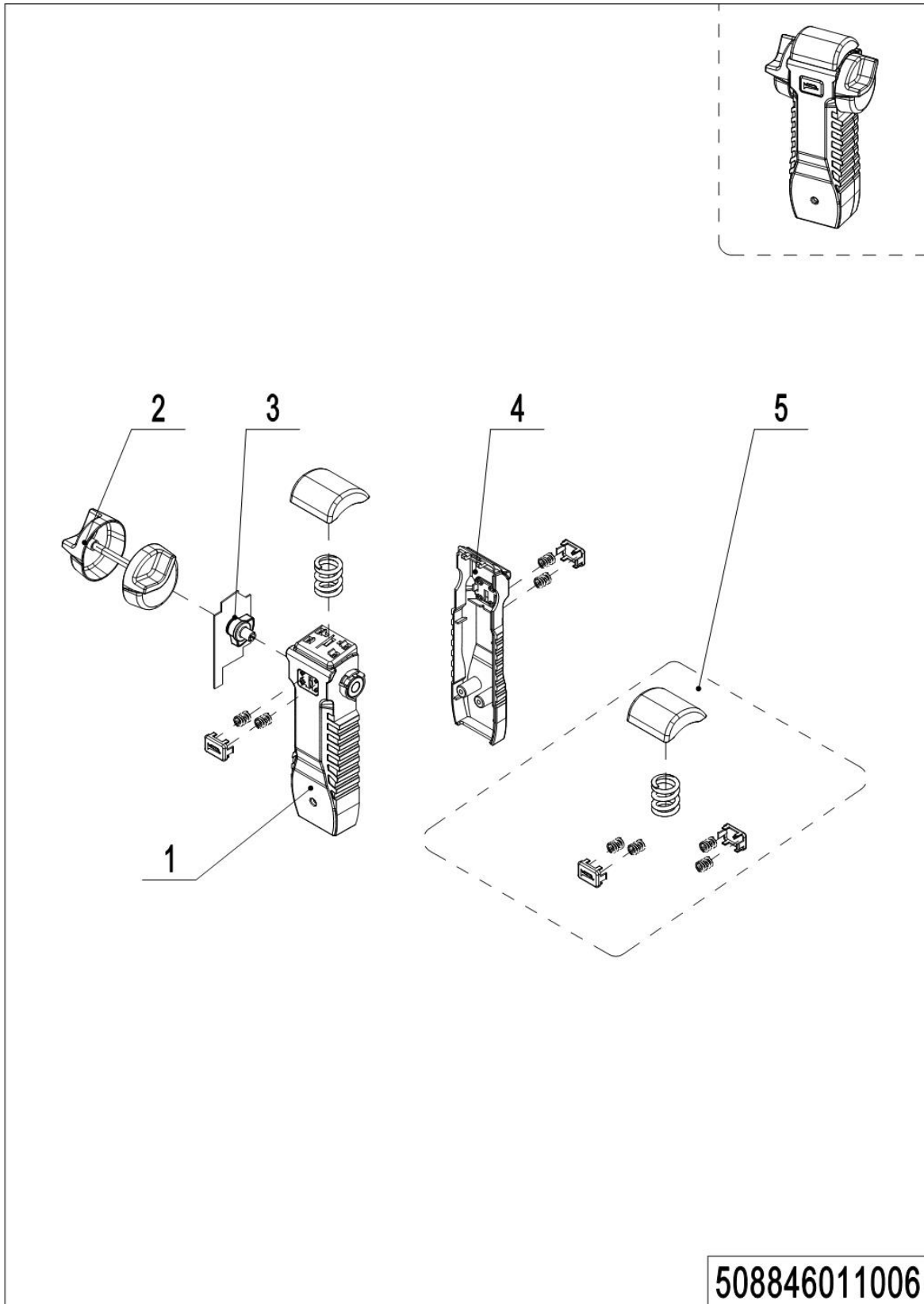


508846011005

1= Supply as package. 2= Supply with constraints. 3= Phasing-out supply. 4= Supply as assembly. 5= Check other tables.

## 03 Tiller Unit (Semi-electric) (508846011005) Continuation

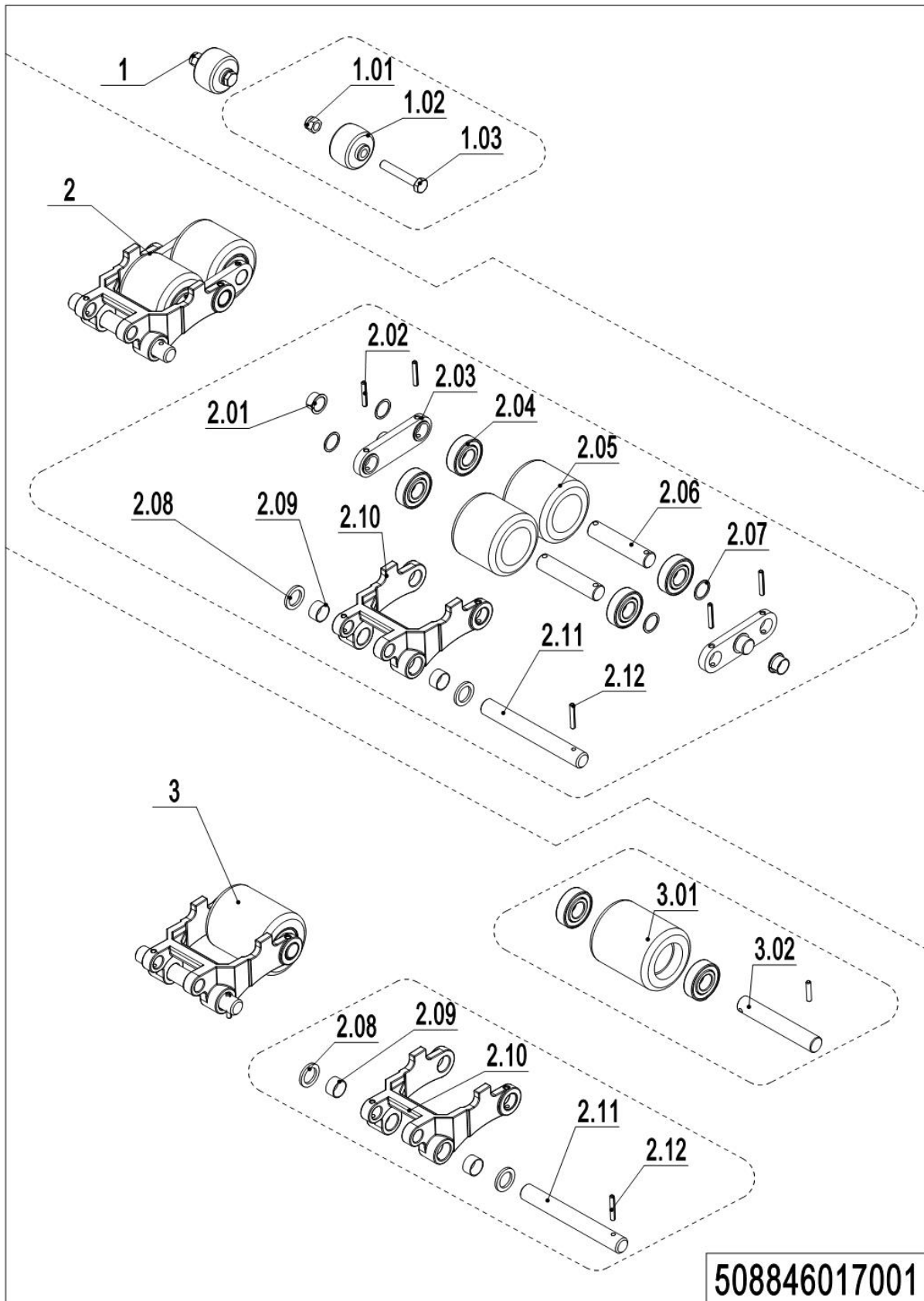
No.	Item Code	Mark	Item Description	Qty.	Substitute	Note
4	300511020001	2	Roller	1		
5	940500100003		Bushing	2		
6	940500200006		Bushing	2		
7	502111020010	2	Washer	2		
8	502611020006	2	Pin	1		
9	910600400027	1	Spring Pin	2		

**04 Tiller (Semi-electric) (508846011006)**



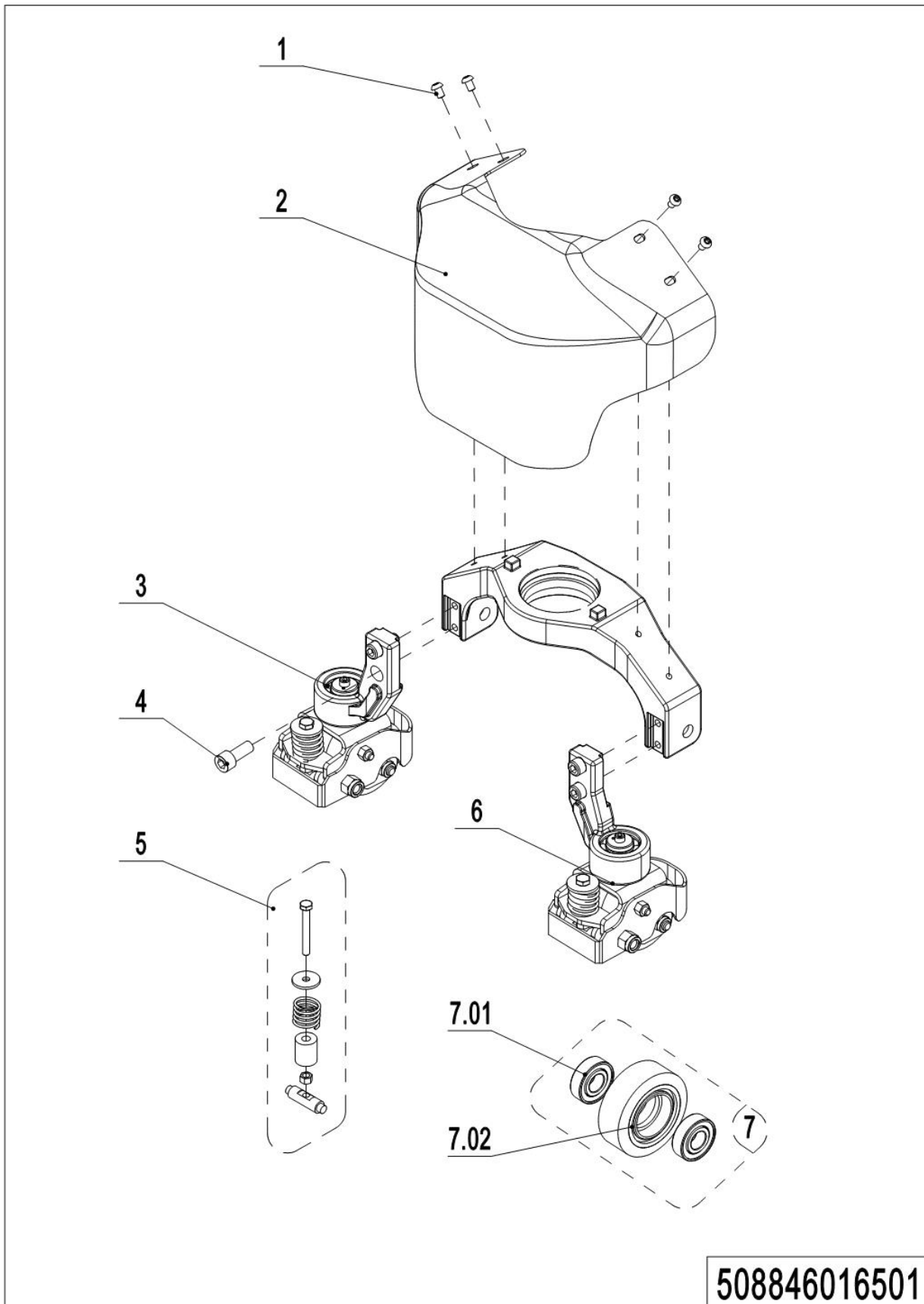
## 04 Tiller (Semi-electric) (508846011006)

No.	Item Code	Mark	Item Description	Qty.	Substitute	Note
--	922100100042	2	Tiller	1		
1	508898520006	2	Handle Cap	1		
2	508898510008	2	Button	1		
3	508898510009	2	Accelerator	1		
4	508898520005	2	Handle Cap	1		
5	508898510011	2	Switch Assembly	1		

**05 Load Wheel (508846017001)**

## 05 Load Wheel (508846017001)

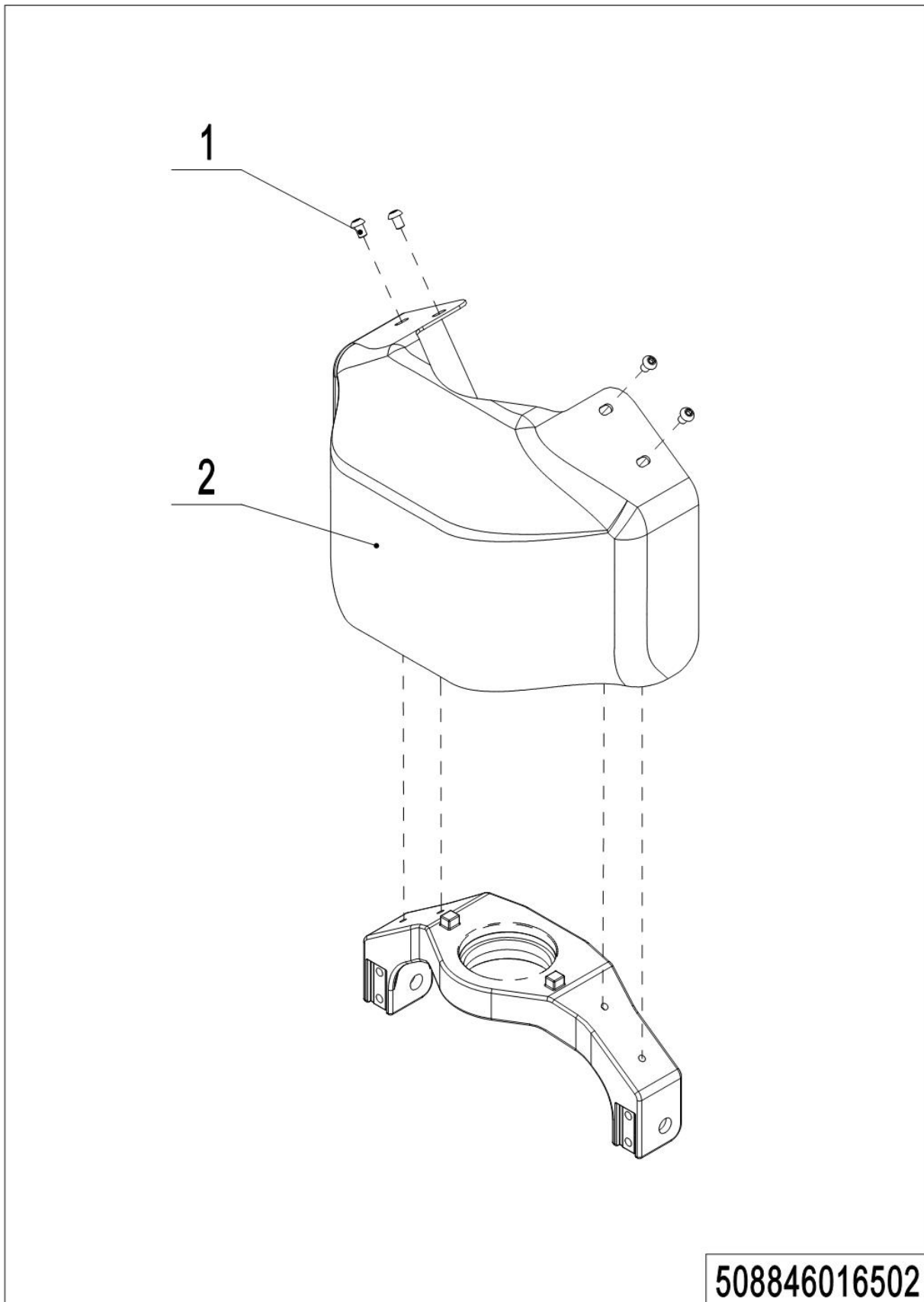
No.	Item Code	Mark	Item Description	Qty.	Substitute	Note
1	502398510003		Pulley components	2		
1.01	910300500005	1	Nut	2		
1.02	505638520039		Running Pulley	2		
1.03	941100200019	1	Bolt	2		
2	508098510049		Wheel	2		
2.01	940500200038		Bushing	4		
2.02	910600400027	1	Spring Pin	8		
2.03	502317020000		Plate	4		
2.04	910700200019		Bearing	8/4		Double/single
2.05	940300300005		WheelΦ80x70	4		
2.06	502317020001		Axle	4		
2.07	940600500013		Washer	8/4		Double/single
2.08	325017020000		Washer	4		
2.09	940500100088		Bushing	4		
2.10	508038520110		Riser	2		
2.11	508038520030		Axle	2		
2.12	910600400025		Spring Pin	2		
3	508098510050		Wheel	2		
3.01	940300300023		WheelΦ80x93	2		
3.02	301017020001		Axle	2		

**06 Caster (508846016501)**

1= Supply as package. 2= Supply with constraints. 3= Phasing-out supply. 4= Supply as assembly. 5= Check other tables.

## 06 Caster (508846016501)

No.	Item Code	Mark	Item Description	Qty.	Substitute	Note
1	910200300023	1	Screw	4		
2	508816520001	2	Apron	1		35 mm off the ground
2	508816520003	2	Apron	1		45 mm off the ground
3	508016510002	2	Caster Assembly	1		
4	910200200076	1	Screw	4		
5	508098510047	2	Spring Components	2		
6	508016510005	2	Caster Assembly	1		
7	502398510015		Load Wheel Kit	2		
7.01	910700200018		Bearing	4		
7.02	940300300017		WheelΦ80x30	2		

**07 Caster (without) (508846016502)**

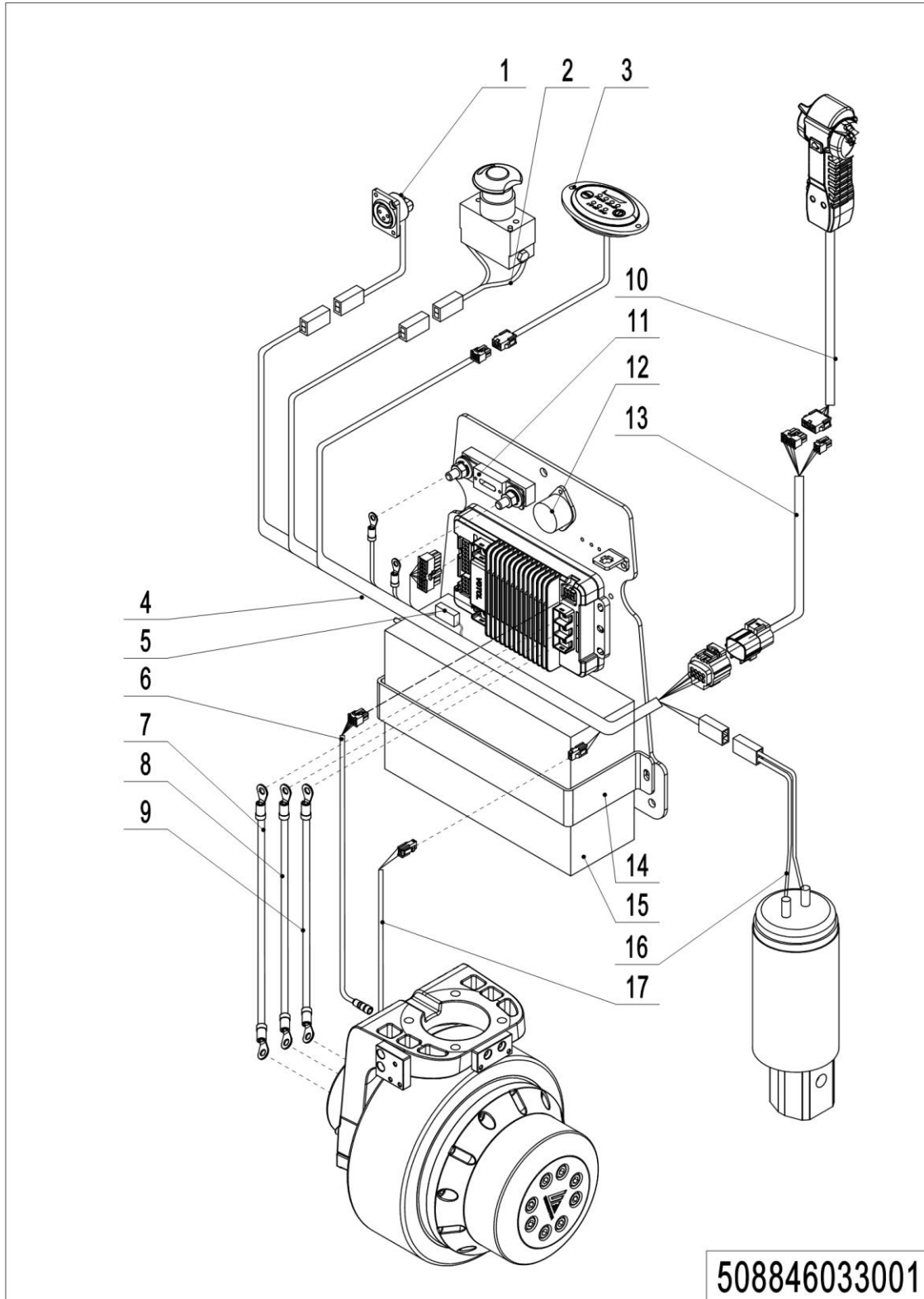
1= Supply as package. 2= Supply with constraints. 3= Phasing-out supply. 4= Supply as assembly. 5= Check other tables.

## 07 Caster (without) (508846016502)

No.	Item Code	Mark	Item Description	Qty.	Substitute	Note
1	910200300023	1	Screw	4		
2	508816520000	2	Apron	1		35 mm off the ground
2	508816520002	2	Apron	1		45 mm off the ground

## Chapter 5: Electrical Parts

### 01 Electrical Components (Electric) (508846033001)



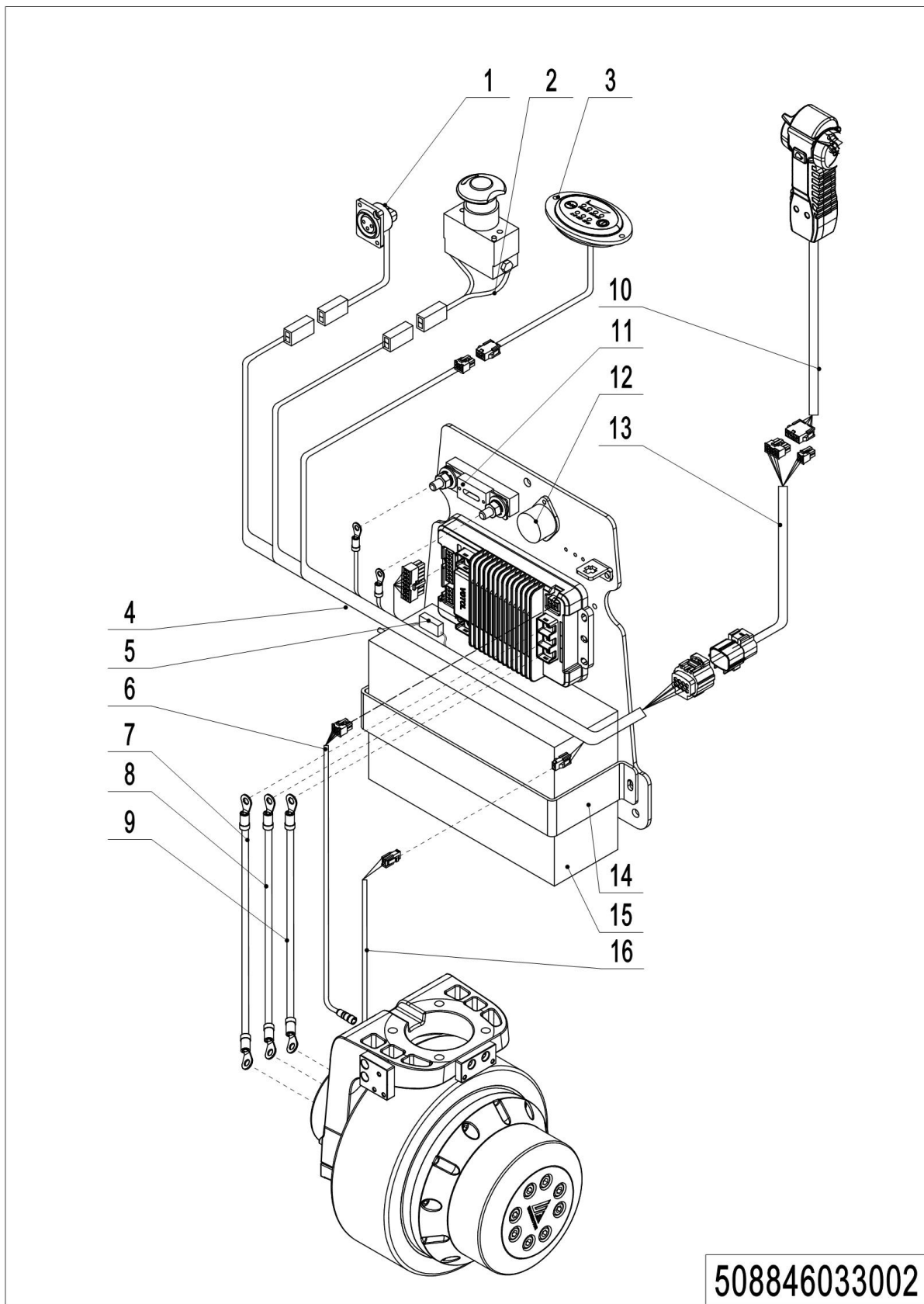
1= Supply as package. 2= Supply with constraints. 3= Phasing-out supply. 4= Supply as assembly. 5= Check other tables.



## 01 Electrical Components (532046033001)

No.	Item Code	Mark	Item Description	Qty.	Substitute	Note
1	508833010007	2	Wire Harness	1		
2	508833010004	2	Wire Harness	1		
3	508833010009	2	Coulombmeter	1		
4	508833010000	2	Wire Harness	1		
5	920100200010	1	Fuse	1		
6	508833010008	2	Wire Harness	1		
7	508833010020	2	Wire Harness	1		
8	508833010021	2	Cables	1		
9	508833010022	2	Cables	1		
10	508833010001	2	Wire Harness	1		
11	920100100001	2	Fuse	1		
12	920500100010	2	Horn	1		
13	508833010002	2	Wire Harness	1		
14	508833020001	2	Fixing Plate	1		For ZN-JT
14	508833020001	2	Fixing Plate	1		For ZN-XJG
15	920600100099	2	Li Battery48V12Ah	1		ZN-JT
15	920600100140	2	Li Battery48V12Ah	1		ZN-XJG
16	508833010003	2	Wire Harness	1		
17	508833010005	2	Wire Harness	1		

## 02 Electrical Components (Semi-electric) (508846033002)

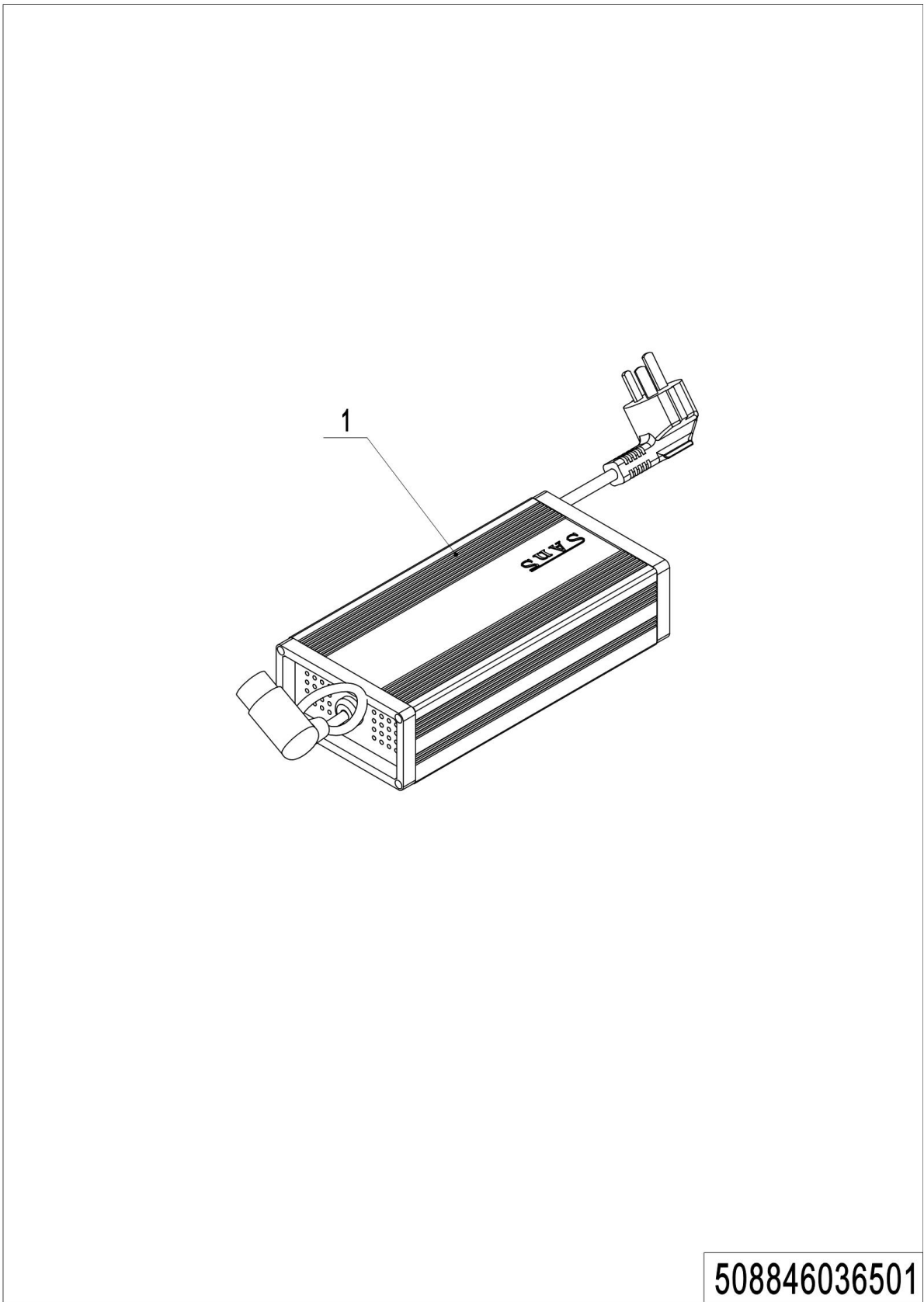


508846033002

1= Supply as package. 2= Supply with constraints. 3= Phasing-out supply. 4= Supply as assembly. 5= Check other tables.

## 02 Electrical Components (Semi-electric) (508846033002)

No.	Item Code	Mark	Item Description	Qty.	Substitute	Note
1	508833010007	2	Wire Harness	1		
2	508833010004	2	Wire Harness	1		
3	508833010009	2	Coulombmeter	1		
4	508833010019	2	Wire Harness	1		
5	920100200010	1	Fuse	1		
6	508833010008	2	Wire Harness	1		
7	508833010020	2	Wire Harness	1		
8	508833010021	2	Cables	1		
9	508833010022	2	Cables	1		
10	508833010015	2	Wire Harness	1		
11	920100100001	2	Fuse	1		
12	920500100010	2	Horn	1		
13	508833010002	2	Wire Harness	1		
14	508833020001	2	Fixing Plate	1		For ZN-JT
14	508833020001	2	Fixing Plate	1		For ZN-XJG
15	920600100099	2	Li Battery48V12Ah	1		ZN-JT
15	920600100140	2	Li Battery48V12Ah	1		ZN-XJG
16	508833010005	2	Wire Harness	1		

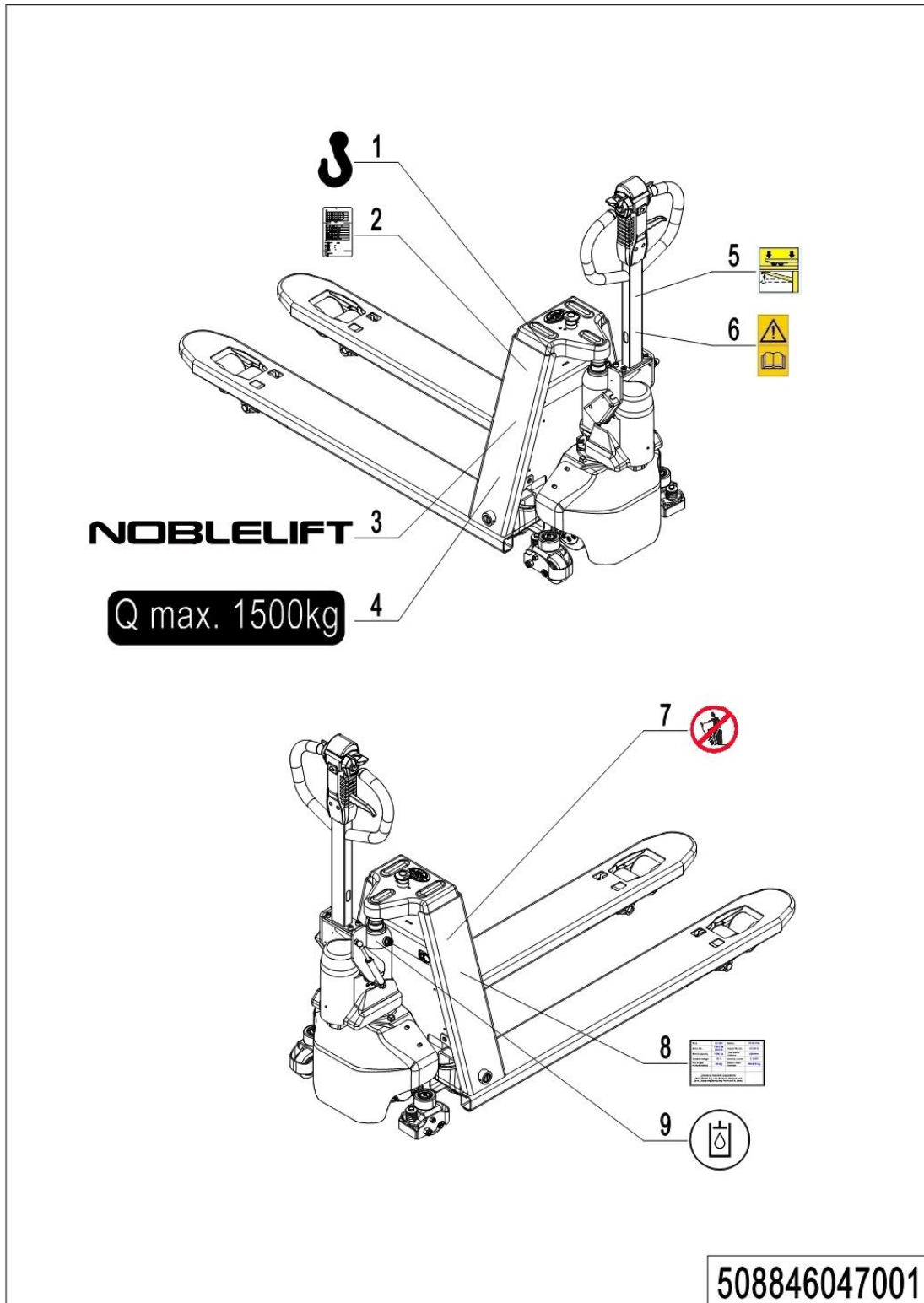
**03 Charger (508846036501)****508846036501**

## 03 Charger (508846036501)

No.	Item Code	Mark	Item Description	Qty.	Substitute	Note
1	921000200434	2	Charger 48V3A (Aisa-CHN)	1		
1	921000200453	2	Charger 48V3A (Aisa-ENG)	1		
1	921000200454	2	Charger 48V3A (ENG)	1		
1	921000200455	2	Charger 48V3A (USA)	1		
1	921000200456	2	Charger 48V3A (EU)	1		
1	921000200457	2	Charger 48V3A (AUS)	1		
1	921000200457	2	Charger 48V3A (AUS)	1		
1	921000200458	2	Charger 48V3A (ITA)	1		
1	921000200460	2	Charger 48V3A (ISR)	1		
1	921000200461	2	Charger 48V3A (BRA)	1		
1	921000200462	2	Charger 48V3A (ARG)	1		

## Chapter 6: Others

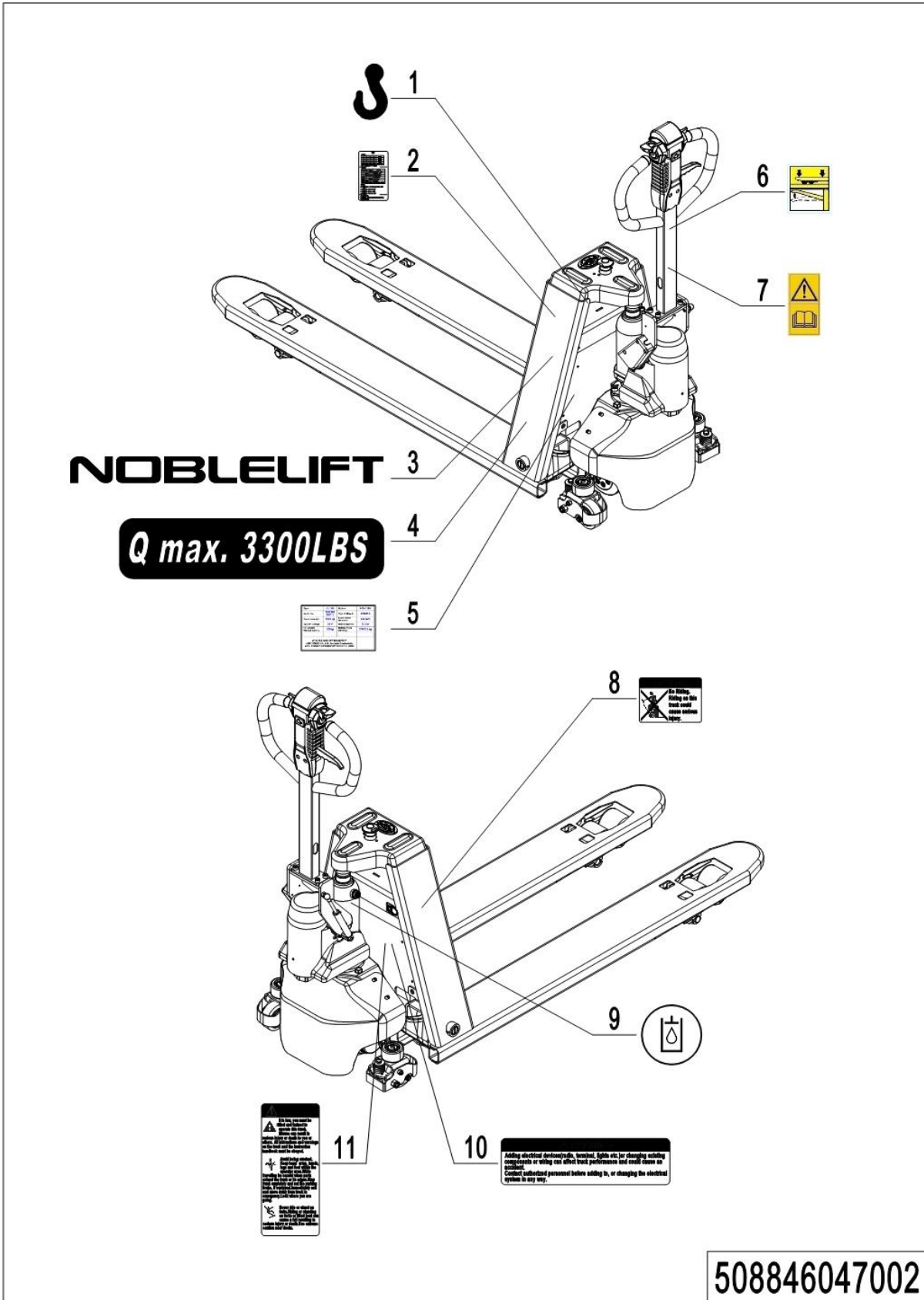
### 01 Labels and Decals (508846047001)



## 01 Labels and Decals (508846047001)

No.	Item Code	Mark	Item Description	Qty.	Substitute	Note
1	941200300001	2	Label	2		
2	508847020001	2	Label	1		
3	941200500002	2	Label	2		
4	941200200009	2	Label	2		
5	941200400001	2	Label	1		
6	941200300002	2	Label	1		
7	941200100003	2	Label	1		
8	508847520000	2	Truck data plate	1		
9	941200300003	2	Label	1		

02 Labels and Decals (USA) (508846047002)



1= Supply as package. 2= Supply with constraints. 3= Phasing-out supply. 4= Supply as assembly. 5= Check other tables.

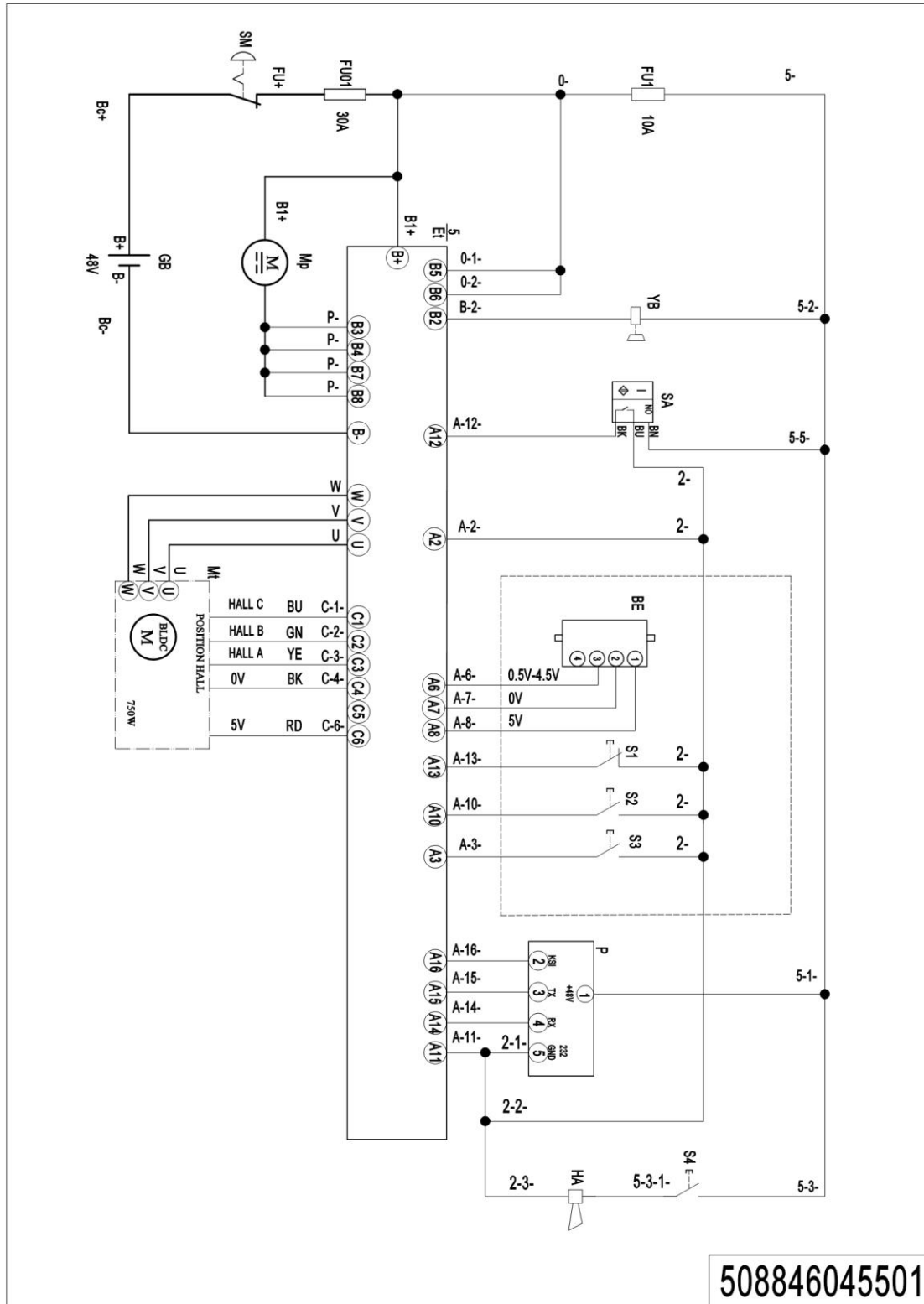


## 02 Labels and Decals (USA) (508846047002)

No.	Item Code	Mark	Item Description	Qty.	Substitute	Note
1	941200300001	2	Label	2		
2	508847020001	2	Label	2		
3	941200500002	2	Label	1		
4	941200200035	2	Label	1		
5	508847520001	2	Truck data plate	1		
6	941200400001	2	Label	1		
7	941200300002	2	Label	1		
8	941200100011	2	Label	1		
9	941200300003	2	Label	1		
10	941200100010	2	Label	2		
11	941200100009	2	Label	2		

Appendix

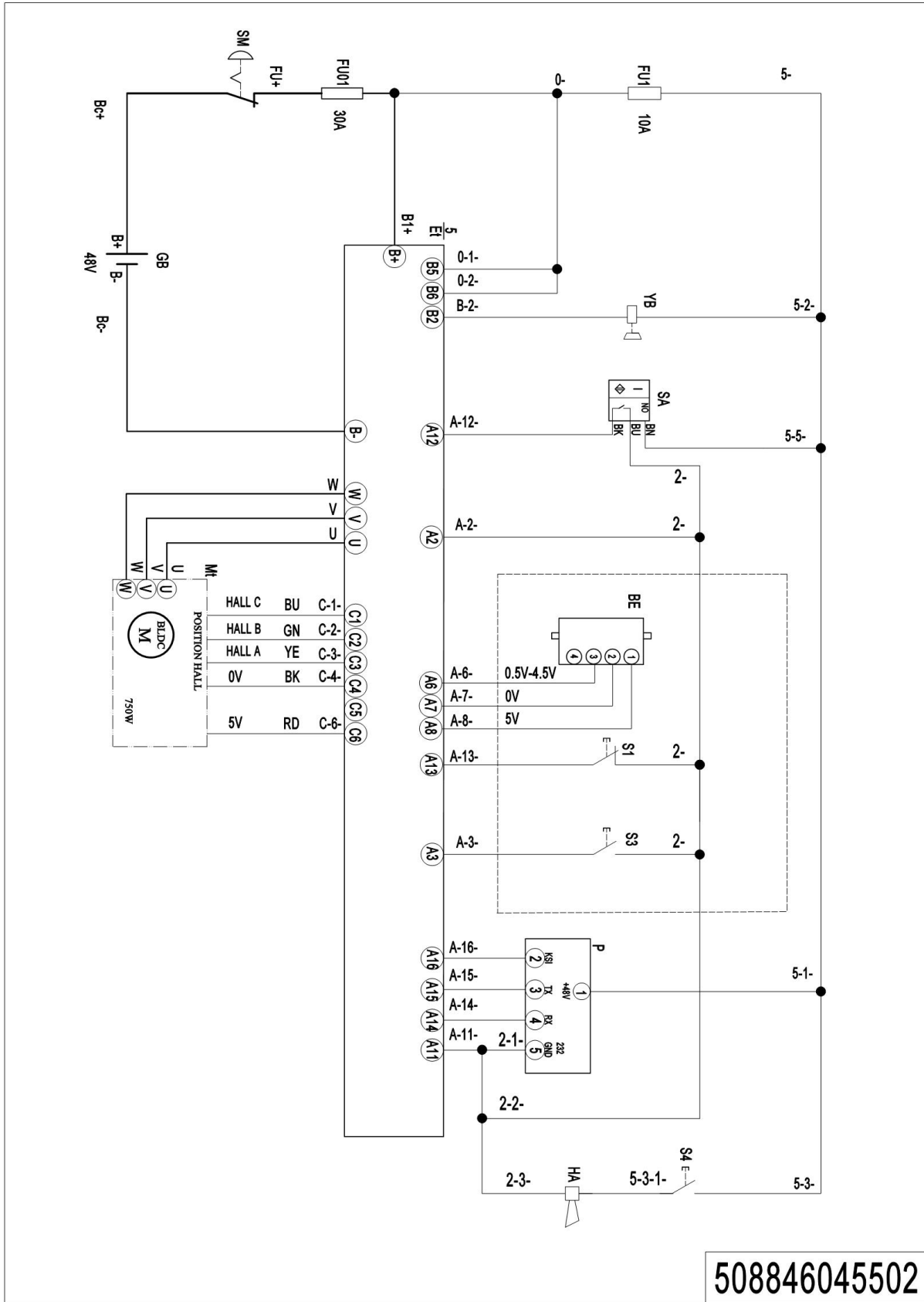
01 Electrical Circuit Diagram (Electric)



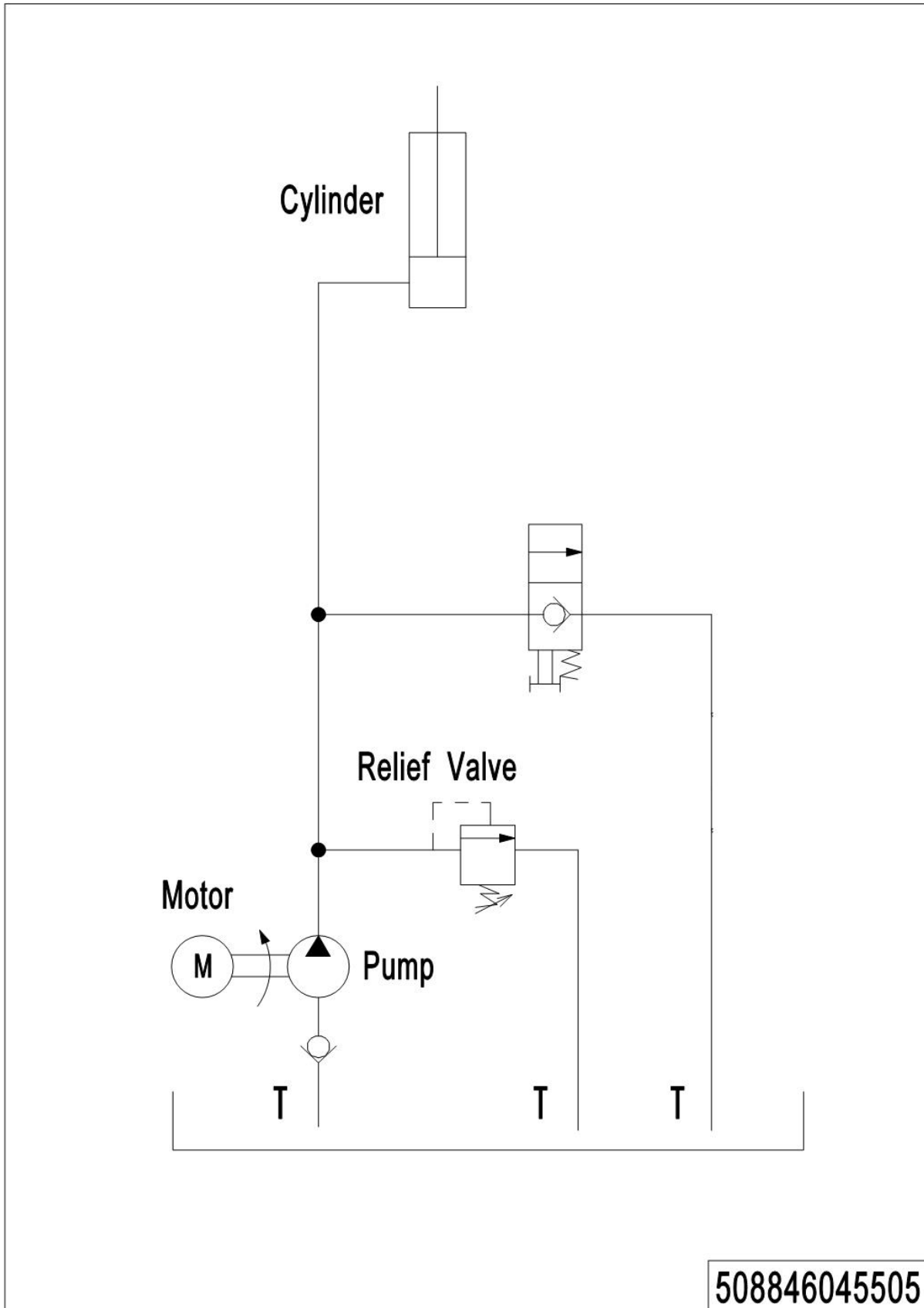
508846045501

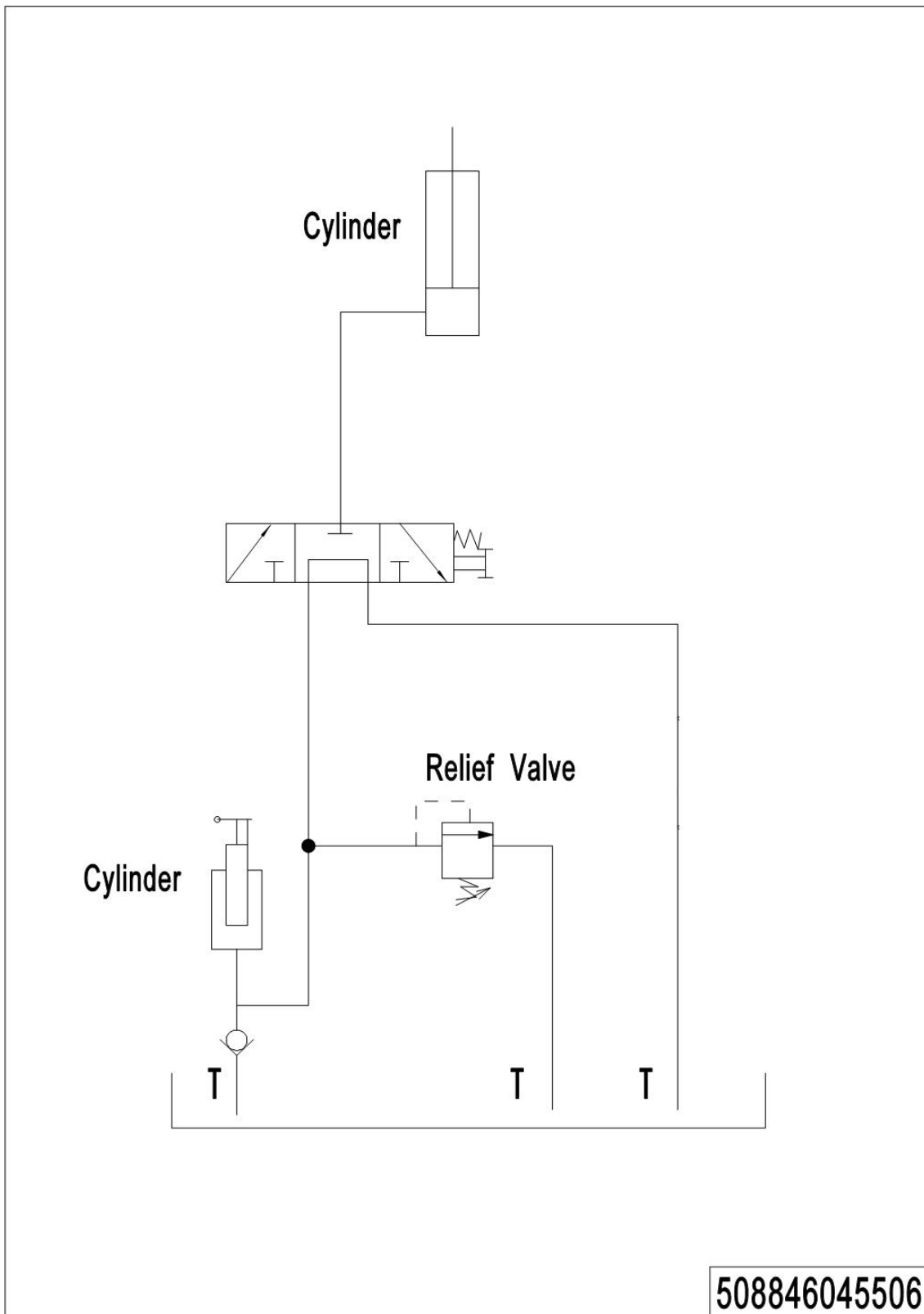
1= Supply as package. 2= Supply with constraints. 3= Phasing-out supply. 4= Supply as assembly. 5= Check other tables.

02 Electrical Circuit Diagram (Semi-electric)



1= Supply as package. 2= Supply with constraints. 3= Phasing-out supply. 4= Supply as assembly. 5= Check other tables.

**03 Hydraulic Circuit Diagram (Electric)**

**04 Hydraulic Circuit Diagram (Semi-electric)**

## 05 Consumable Parts List

No.	Item Code	Item Description	Qty.	Chapter/ Section/ Number
1	940300300023	WheelΦ80x93	2	Chapter 4/03/2.02
2	910700200019	Bearing	8	Chapter 2/01/4 Chapter 4/03/2.01
2	910700200019	Bearing		Chapter 4/04/1.01
3	940400100026	Air Spring	1	Chapter 4/01/4
4	532098510010	Seal Kit	1	Chapter 2/01/15
5	920100100007	Fuse	1	Chapter 5/01/14.02
6	920100100003	Fuse	1	Chapter 5/01/14.03
7	920100200002	Fuse	1	Chapter 5/01/14.04
8	920100300001	Fuse	1	Chapter 5/01/20
9	502333010017	Fault Display Assembly	1	Chapter 5/01/19
10	920800100003	Relay	1	Chapter 5/01/14.01
11	502311010007	Microswitch Kits	1	Chapter 4/02/15
12	502311010008	Microswitch Kits	1	Chapter 4/02/21
13	532011010004	Proximity Switch	2	Chapter 3/03/21 Chapter 4/01/11
14	532021510032	Proximity Switch	1	Chapter 3/02/23
15	920200100004	Emergency Button	1	Chapter 5/03/2
16	921700100010	Accelerator	1	Chapter 4/02/12
16	921700100001	Accelerator	1	Chapter 4/02/12
17	920200300001	Microswitch	1	Chapter 3/02/27 Chapter 3/03/17
18	506534010000	Wire Harness	1	Chapter 5/03/9